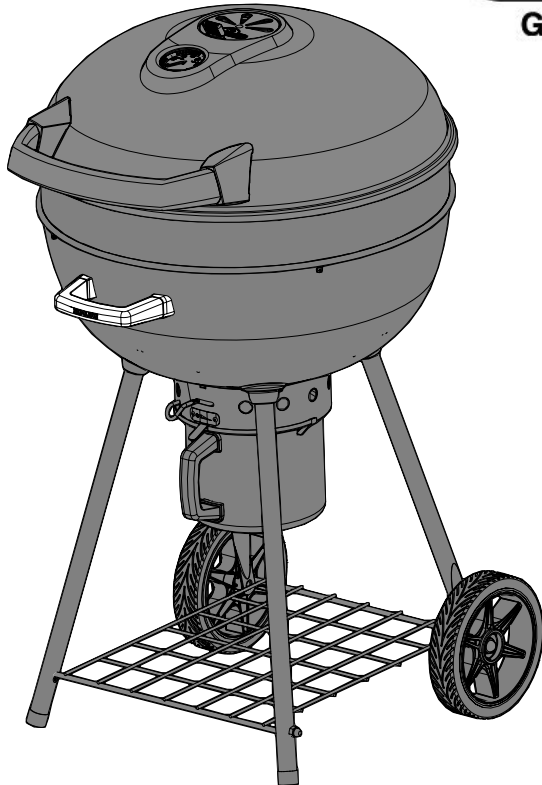
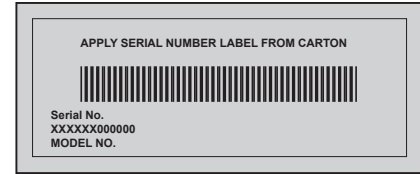


## ASSEMBLY USE AND CARE MANUAL

THIS GRILL MUST ONLY BE USED OUTDOORS IN A WELL-VENTILATED SPACE  
RETAIN THIS MANUAL FOR FUTURE REFERENCE

# OUTDOOR CHARCOAL GRILL



### WARNING

*Do not try to light this appliance without reading the "LIGHTING" instruction section of this manual.*



### DANGER

*Burning charcoal gives off carbon monoxide. Do not burn charcoal inside homes, garages, tents, vehicles or any enclosed areas.*



**WARNING!** Failure to follow these instructions exactly could result in a fire causing serious injury or death.

Napoleon Appliance Corp.,  
214 Bayview Dr., Barrie, Ontario, Canada L4N 4Y8 Phone: 1-866-820-8686  
Fax: (705)725-2564 email: [wecare@napoleonproducts.com](mailto:wecare@napoleonproducts.com) web site: [www.napoleongrills.com](http://www.napoleongrills.com)

N415-0281 APR 22/13

EN

FR  
PG.13

NL  
PG.25

DE  
PG.37

ES  
PG.49

RU  
PG.61

SE  
PG.73

A small icon of a wrench.

PG.85

## THANK YOU FOR CHOOSING NAPOLEON

NAPOLEON products are designed with superior components and materials, and are assembled by trained craftsmen who take great pride in their work. This grill has been thoroughly inspected by a qualified technician before packaging and shipping to ensure that you, the customer, receive the quality product you expect from NAPOLEON.

We at Napoleon are dedicated to you, “our valued customer”. It is our goal to provide you with the necessary tools for an unforgettable grilling experience. This manual is provided to assist you in assuring your new grill is assembled, installed, maintained and cared for properly. It is important to read and understand this entire manual before operating your new grill to ensure you fully understand all the safety precautions and features your grill has to offer. By carefully following these instructions, you will enjoy years of trouble-free grilling. If this product fails to meet your expectations, for any reason, please call our customer care department at 1-866-820-8686 between 9 AM and 5 PM (Eastern Standard Time) or visit our Website at [www.napoleongrills.com](http://www.napoleongrills.com).



## NAPOLEON GRILL PRESIDENT'S LIMITED LIFETIME WARRANTY

NAPOLEON warrants the following materials and workmanship in your new NAPOLEON grill against defects for as long as you own the grill. This covers porcelain enameled base, porcelain enameled lids, base and lid handles, subject to the following conditions: During the first ten years NAPOLEON will provide replacement parts at our option free of charge. From the eleventh year to lifetime NAPOLEON will provide replacement parts at 50% of the current retail price.

Components such as side shelves, cart legs, and cart panels are covered and NAPOLEON will provide parts free of charge during the first five years of the limited warranty.

All other components including cooking grills, charcoal grate, air deflector, ash pan, temperature gauge, wire shelf, wheels, fasteners and accessories are covered and NAPOLEON will provide parts free of charge during the first year of the limited warranty.

NAPOLEON shall not be liable for any transportation charges, labor costs or export duties.

## CONDITIONS AND LIMITATIONS

“NAPOLEON warrants its products against manufacturing defects to the original purchaser only, provided that the purchase was made through an authorized NAPOLEON dealer and is subject to the following conditions and limitations:”

This factory warranty is non-transferable and may not be extended what-so-ever by any of our representatives.

The grill must be installed by a licenced, authorized service technician or contractor. Installation must be done in accordance with the installation instructions included with the product and all local and national building and fire codes.

This limited warranty does not cover damages caused by misuse, lack of maintenance, grease fires, hostile environments, accident, alterations, abuse or neglect and parts installed from other manufacturers will nullify this warranty.

This limited warranty further does not cover any scratches, dents, painted finishes, corrosion or discoloring by heat, abrasive and chemical cleaners, nor chipping on porcelain enamel parts, nor any components used in the installation of the grill.

Should deterioration of parts occur to the degree of non-performance within the duration of the warranted coverage, a replacement part will be provided.

In the first year only, this warranty extends to the replacement of warranted parts, which are defective in material or workmanship provided that the product has been operated in accordance with the operation instructions and under normal conditions.

After the first year, with respect to this President's Limited Lifetime Warranty NAPOLEON may, at its discretion, fully discharge all obligations with respect to this warranty by refunding to the original warranted purchaser the wholesale price of any warranted but defective part(s).

NAPOLEON will not be responsible for the installation, labor or any other costs or expenses related to the re-installation of a warranted part, and such expenses are not covered by this warranty.

Notwithstanding any provision contained in this President's Limited Lifetime Warranty NAPOLEON's responsibility under this warranty is defined as above and it shall not in any event extend to any incidental, consequential, or indirect damages.

This warranty defines the obligation and liability of NAPOLEON with respect to the NAPOLEON grill and any other warranties expressed or implied with respect to this product, its components or accessories are excluded.

NAPOLEON neither assumes, nor authorizes any third party to assume, on its behalf, any other liabilities with respect to the sale of this product.

NAPOLEON will not be responsible for: over firing, blow outs caused by environmental conditions such as strong winds, or inadequate ventilation.

Any damages to the grill due to weather, hail, rough handling, damaging chemicals or cleaners will not be the responsibility of NAPOLEON.

The bill of sale or copy will be required together with a serial number and a model number when making any warranty claims from NAPOLEON.

NAPOLEON reserves the right to have its representative inspect any product or part prior to honoring any warranty claim.

NAPOLEON shall not be liable for any transportation charges, labor costs, or export duties.



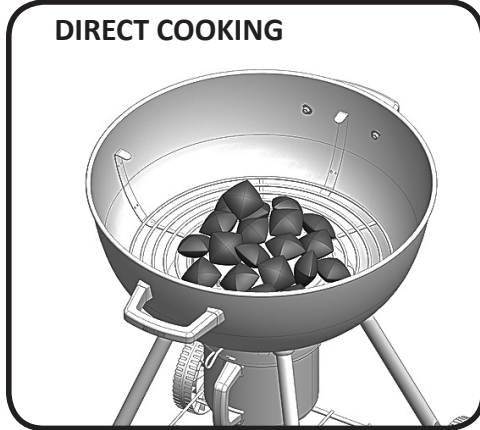
**WARNING!** Failure to follow these instructions could result in property damage, personal injury or death. Read and follow all warnings and instructions in this manual prior to operating grill.

## Safe Operating Practices

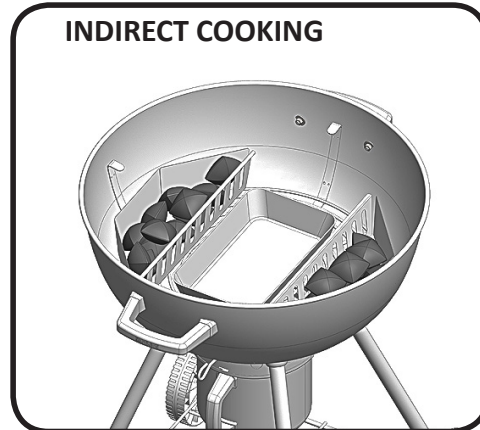
- Read the entire instruction manual before operating the grill.
- Under no circumstance should this grill be modified.
- Follow lighting instructions carefully when operating grill.
- Do not light charcoal with lid closed.
- Do not lean over grill when lighting.
- Do not use gasoline, alcohol, or other highly volatile fluids to ignite charcoal. Use ONLY charcoal starter fluid approved for lighting charcoal. Make sure that any fluids that have drained through the bottom of the grill are removed before lighting the charcoal.
- Charcoal starter fluid should never be added to hot or even warm coals.
- After use and before lighting, charcoal starter fluid should be capped and stored a safe distance away from the grill, at least 25ft (7.6m).
- Keep children and pets away from hot grill, DO NOT allow children to climb inside cabinet.
- Do not leave the grill unattended while in use.
- Do not move grill when hot or operating.
- This grill must not be installed in or on recreational vehicles and/or boats.
- This grill must only be stored outdoors in a well-ventilated area and must not be used inside a building, garage, screened in porch, gazebo or any enclosed area.
- Maintain proper clearance to combustibles, 5ft (1.5m) to all sides. This clearance is also recommended near vinyl siding or panes of glass. The grill must not be used on combustible surfaces (wooden or composite decks or porches).
- At all times keep the ventilation openings of the enclosure free and clear from debris.
- Do not operate unit under any combustible construction.
- Do not operate this grill under any overhead construction such as roof coverings, carports, awnings or overhangs.
- Do not locate in windy settings. High winds adversely affect the cooking performance of the grill.
- The lid is to be closed during the preheat period.
- The ash/grease tray must be in place when using the grill.
- Clean the ash/grease tray regularly to avoid build-up, which may lead to grease fires.
- Do not use the side shelves to store lighters, matches or any other combustibles.
- The grill should be on level ground at all times.
- Do not use water to control flare-ups or extinguish coals, as it may damage your grill's finish.
- To control flare-ups, slightly close the vents on your grill. To completely extinguish coals/fire, close all vents and lid completely.
- Use proper grilling tools with long, heat-resistant handles.
- Use barbecue mitts or hot pads to protect hands while cooking or adjusting the vents.
- Do not remove ashes from grill until all charcoal is completely burned out and fully extinguished. Allow ample time to cool.
- Remaining coal and ashes are to be removed from grill and stored in a non-combustible metal container. Allow to remain in metal container 24 hours before disposing of.
- Keep electrical supply cords away from water or heated surfaces.
- **California Proposition 65:** The burning of charcoal creates by-products, some of which are on the list as substances known by the State of California to cause cancer or reproductive harm. When cooking with charcoal, always ensure adequate ventilation to the unit, to minimize exposure to such substances.

# Lighting Instructions

## DIRECT COOKING



## INDIRECT COOKING



### Charcoal Usage

Grill Diameter	Cooking Method	Charcoal Recommended
22" (56cm)	Direct Cooking	50
22" (56cm)	InDirect Cooking	25 per side *(add 8 per side for each additional hour of cooking time)

\*Charcoal recommendations are approximate, longer cooking times require additional charcoal to be added. As well, colder, windy temperatures will require additional charcoal to reach ideal cooking temperatures.



**WARNING!** Open lid.

**WARNING!** Locate the grill outdoors on a solid, level, non-combustible surface. Never use grill on wooden or other surfaces that could burn.

**WARNING!** Do not lean over grill when lighting charcoal.

**WARNING!** Ashpan must be in place during lighting and anytime during use.

DIRECT COOKING METHOD	INDIRECT COOKING METHOD
1. Fully open the vent on the lid and base. Remove the grill lid and remove the cooking grill	1. Fully open the vent on the lid and base. Remove the grill lid and remove the cooking grill.
2. Ensure the ash pan is cleaned out from the previous use and then re-install.	2. Ensure the ash pan is cleaned out from the previous use and then re-install.
3. The grill can be used either with our without the center air deflector. The deflector will ensure more even temperatures and will slow the rate of burn in the center of the grill. Use either the Ultrachef Charcoal Starter (not included) following the instructions included in the manual, or place lighter cubes or lightly crumpled newspaper on and around the air deflector. Place the charcoal in a cone shaped pile in the center of the unit on the newspaper or lighter cubes.	3. Remove the center air deflector and place a drip pan. Place the optional charcoal baskets on either side of the drip pan. Use either the Ultrachef Charcoal Starter (not included) following the instructions included in the manual, or place lighter cubes or lightly crumpled newspaper in the charcoal baskets. Place the charcoal in the baskets onto the newspaper or lighter cubes.
4. Light the newspaper or lighter cubes. Once fully lit, close the lid and allow the charcoal to burn until it is covered in a light grey ash (approximately 20 minutes).	4. Light the newspaper or lighter cubes. Once fully lit, close the lid and allow the charcoal to burn until it is covered in a light grey ash (approximately 20 minutes).
5. Using tongs with long heat resistant handles, spread the coals to evenly cover the entire grate (including the center air deflector).	



Starter fluid can be used to light the charcoal, but it is not the preferred method. It can be messy and may leave a chemical taste on the food if not completely burned off prior to cooking. Once lit, never add additional starter fluid to the grill. Store the bottle at least, 25 ft (7.6m) away from the grill when operating.

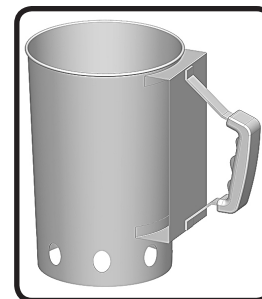


### ***Charcoal Starter Safe Operating Practices***

#### **WARNING!**

- For outdoor use only.
- Do not use the Charcoal Starter unless it is placed on a firm, level charcoal grate and the charcoal grill is on a firm, level, non-combustible surface.
- Do not place the Charcoal Starter on any combustible surface unless the Charcoal Starter is completely cool.
- Do not use lighter fluid, gasoline or self lighting charcoal in the Charcoal Starter.
- Only use the Charcoal Starter to light charcoal for charcoal grills.
- Always wear protective gloves when handling the Charcoal Starter.
- Keep children and pets away from the Charcoal Starter at all times.
- Do not use the Charcoal Starter in high winds.
- Do not leave the Charcoal Starter unattended while in use.
- Do not lean over the Charcoal Starter when lighting.
- Never use the Charcoal Starter for other than intended use. Do not use the Charcoal Starter to prepare food.
- Use extreme caution when pouring hot coals out of the Charcoal Starter.

**CHARCOAL STARTER**



### ***Using the Charcoal Starter***

- Turn the Charcoal Starter upside down.
- Crumple two full sheets of newspaper and stuff them into the bottom of the Charcoal Starter.
- Turn the Charcoal Starter right side up and place it in the centre of the charcoal grate.
- Add appropriate amount of charcoal but do not over fill.
- Light a match, and insert into one of the bottom air vents to ignite the newspaper.
- When the top layer of charcoal has a light coating of grey ash, wearing protective gloves carefully pour the hot charcoal onto the charcoal grate (direct cooking method) or place into the charcoal baskets (indirect method).
- Once the hot charcoal is placed into the grill, spread the charcoal out evenly using tongs with long heat resistant handles.

# Charcoal Cooking Guide

Charcoal is the traditional way of cooking that we are all familiar with. The glowing briquettes emit infrared energy to the food being cooked, with very little drying effect. Any juices or oils that escape from the food drip down onto the charcoal and vaporize into smoke giving the food its delicious grilled taste. The bottom line is that Napoleon's charcoal grill produces searing heat for juicier, tastier steaks, hamburgers and other meats. For cooking times and tips refer to the Charcoal Grilling Chart.

The following grilling chart is meant to be a guideline only. Cooking times are affected by such factors as altitude, outside temperature, wind, and desired doneness, which will be reflected in your cooking time. Use a meat thermometer to ensure foods are adequately cooked.

## Charcoal Grilling Chart

Food	Direct/Indirect Heat	Cooking Time	Helpful Suggestions
Steak 1 in. (2.54cm) thick	Direct heat	6-8 min.– Medium	When selecting meat for grilling, ask for marbled fat distribution. The fat acts as a natural tenderizer while cooking and keeps it moist and juicy.
Hamburger 1/2 in (1.27cm) thick	Direct heat	6-8 min.– Medium	Preparing hamburgers to order is made easier by varying the thickness of your patties. To add an exotic taste to your meat, try adding hickory-flavored woodchips to the charcoal.
Chicken pieces	Direct heat approx 2 min. per side. Indirect heat for the remaining 18-20 min.	20-25 min.	The joint connecting the thigh and the leg from the skinless side should be sliced 3/4 of the way though for the meat to lay flatter on the grill. This helps it to cook faster and more evenly. To add a trademark taste to your cooking, try adding mesquite-flavored woodchips to the charcoal.
Pork chops	Direct heat	10-15 min.	Trim off the excess fat before grilling. Choose thicker chops for more tender results.
Spare ribs	Direct heat for 5 min. Indirect heat to finish	1.5-2 hrs. turning often	Choose ribs that are lean and meaty. Grill until meat easily pulls away from the bone.
Lamb chops	Direct heat	25-30 min.	Trim off the excess fat before grilling. Choose extra thick chops for more tender results.
Hot dogs	Direct heat	4-6 min.	Select the larger size wieners. Slit the skin lengthwise before grilling.

## Cooking Instructions

**Initial Lighting:** When lit for the first time, the grill emits a slight odor. This is a normal temporary condition caused by the “burn-in” of internal paints and lubricants used in the manufacturing process and does not occur again. Simply burn the grill on high for approximately 30 minutes with the lid and base vents fully open.

**Grill Use:** We recommend preheating the grill by operating it with the lid closed for approximately 20 minutes. The coals are ready when they have a light coating of grey ash. Food cooked for short periods of time (fish, vegetables) can be grilled with the lid open. Cooking with the lid closed ensures higher, more even temperatures that will reduce cooking time and cook the food more evenly. When cooking very lean meat, such as chicken breast or lean pork, the grids can be oiled before preheating to reduce sticking. Cooking meat with a high degree of fat content may create flare-ups. Either trim the fat or reduce temperatures to inhibit this. Should a flare-up occur, move food away from flames; reduce the heat (reduce vent opening). Leave the lid open.

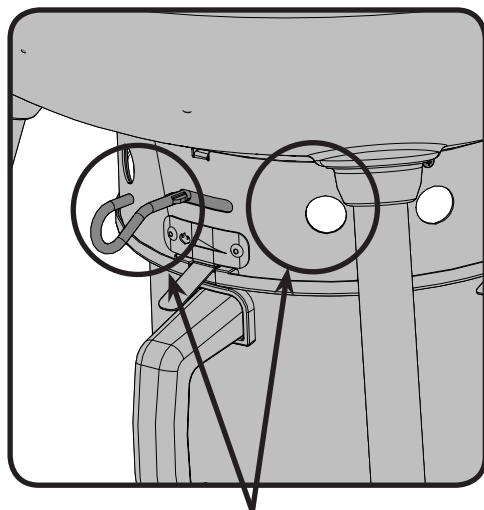
**As a general rule, plan on using about 50 briquettes to cook 2 lb. (1kg) of meat. If cooking for more than 30 to 40 minutes, additional briquettes must be added to the fire. When the weather is cold or windy, you will need more briquettes to reach ideal cooking temperatures.**

**Adding Charcoal During Cooking:** Use caution when adding charcoal to the grill. Flames may flare up when coals come in contact with fresh air. Stand back a safe distance and use a long-handled heat-resistant cooking tongs to add additional charcoal briquettes. There are flaps on either side of the cooking grid that provide access to the charcoal grate.

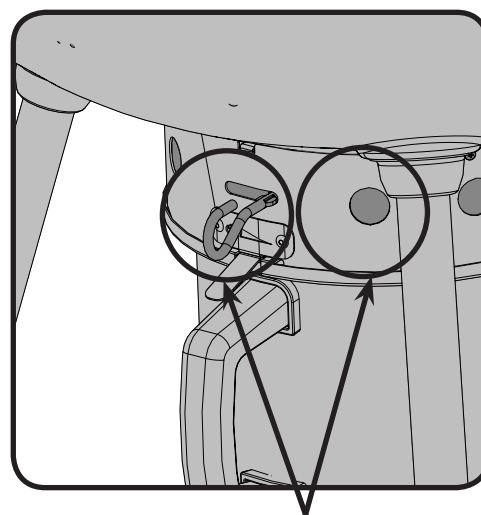


**WARNING!** Never add charcoal starter fluid to hot or warm coals. Once charcoal is ignited no more fluid is required.

**Operating The Vents:** Lid vents on a covered grill are usually left open to allow air into the grill. Air increases the burning temperature of the coals. You can regulate the grill’s temperature by moving the vent slide to the right or left. Closing the vents either partially or completely will help to cool down the coals. Do not completely close the air vents and the lid vent unless you are trying to cool down or extinguish a flame.



*Vent Open*



*Vent Closed*

## After Use Safety



**WARNING!** To protect yourself and your property from damage, carefully follow these safety precautions.

- Close the grill lid and all vents to extinguish fire.
- Always allow the grill to cool completely before handling.
- Never leave coals and ashes in grill unattended. Make sure coals and ashes are completely extinguished before removing.
- Use a metal spatula or scoop to remove remaining coals and ashes from grill. Place them in a non-combustible metal container and completely saturate with water. Leave in container an additional 24 hours before disposing.

# Maintenance / Cleaning Instructions

It is recommended that the ashtray/dripan be emptied out after each use.



**WARNING!** Ensure the grill is cool and all coals are completely extinguished prior to removing any part from your grill.

**WARNING!** Always wear protective gloves and safety glasses when cleaning your grill.

**WARNING!** Do not use pressure washer to clean any part of the grill.

**WARNING!** To avoid the possibility of burns, maintenance should be done only when the grill is cool. Avoid unprotected contact with hot surfaces. Clean grill in an area where cleaning solutions will not harm decks, lawns, or patios. Do not use oven cleaner to clean any part of this grill. Do not use a self-cleaning oven to clean cooking grids or any other parts of the grill. Barbecue sauce and salt can be corrosive and will cause rapid deterioration of the grill components unless cleaned regularly.

**Grids And Warming Rack:** The grids and warming rack are best cleaned with a brass wire brush during the pre-heating period. Steel wool can be used for stubborn stains.

**Cleaning Inside The Grill:** Remove the cooking grids. Use a brass wire brush to clean loose debris from the bowl and the insides of the lid. Scrape the inside of the bowl with a putty knife or scraper, and use a wire brush to remove ash. Sweep all debris from inside the grill into the removable ash/drip pan. If desired you can wash the inside of the grill with a mild detergent and water. Rinse well with clear water and wipe dry.



**WARNING!** Accumulated grease is a fire hazard. Clean the drip pan after each use to avoid grease buildup.

**Ash/Drip Pan:** Ashes, grease and excess drippings pass through to the ash/drip pan, located beneath the charcoal grill, and accumulate. To clean, slide the pan free of the grill. Never line the pan with aluminum foil, sand or any other material as this could prevent the grease from flowing properly. The pan should be scraped out with a putty knife or scraper, and all the debris brushed into a non-combustible metal container. Wash the ash/drip pan with a mild detergent and water. Rinse well with clear water and wipe dry.

**Cleaning The Outer Grill Surface:** Do not use abrasive cleaners or steel wool on any painted, porcelain or stainless steel parts of your Napoleon Grill. Doing so will scratch the finish. Exterior grill surfaces should be cleaned with warm soapy water while the metal is still warm to the touch. To clean stainless surfaces, use a stainless steel or a non-abrasive cleaner. Always wipe in the direction of the grain. Over time, stainless steel parts discolor when heated, usually to a golden or brown hue. This discoloration is normal and does not affect the performance of the grill. Porcelain enamel components must be handled with additional care. The baked-on enamel finish is glass-like, and will chip if struck. Touch-up enamel is available from your Napoleon Grill dealer.



# Troubleshooting

EN

Problem	Possible Causes	Solution
Low heat / Low flame.	<p>Improper preheating.</p> <p>Not enough airflow.</p> <p>Low charcoal.</p> <p>Lid being opened to frequently.</p>	<p>Allow charcoal to burn until covered with a light grey ash. (usually 20-25min).</p> <p>Open Vents.</p> <p>Add more charcoal to the charcoal tray.</p> <p>Allow food to cook with the lid closed. Every time the lid is removed, the temperature drops. This leads to lower temperatures and longer cooking times.</p>
Excessive flare-ups/uneven heat.	<p>Improper preheating.</p> <p>Excessive grease and ash build up in ash/drip pan.</p>	<p>Preheat grill with lid closed for 20 - 25 mins and spread coals around evenly.</p> <p>Clean ash/drip pan regularly. Do not line pan with aluminum foil. Refer to cleaning instructions.</p>
"Paint" appears to be peeling inside lid or hood.	Grease build up on inside surfaces.	This is not a defect. The finish on the lid is porcelain, and will not peel. The peeling is caused by hardened grease, which dries into paint-like shards that will flake off. Regular cleaning will prevent this. See cleaning instructions.

# Charcoal Grilling In Review

## *Lighting Your Grill*

- Before cooking for the first time, we recommend burning on high for 30 minutes with the lid and base vents fully open. This will burn off any lubricants used in the manufacturing process.
- Fully open the vent on the lid and base each time you light your grill.
- Ensure the ash pan is cleaned out from the previous use and then re-install.
- The grill can be used either with or without the center air deflector. The deflector will ensure more even temperatures and will slow the rate of burn in the center of the grill.
- Use either the Ultrachef Charcoal Starter (not included) following the instructions included in the manual, or place lighter cubes or lightly crumpled newspaper on and around the air deflector. Place the charcoal in a cone shaped pile in the center of the unit (direct cooking method) or the optional charcoal baskets (indirect method).
- Once fully lit, close the lid and allow the charcoal to burn until it is covered in a light grey ash (approximately 20 minutes), arrange the charcoal using tongs with heat resistant handles according to the cooking method you are going to use.
- Starter fluid can be used to light the charcoal, but it is not the preferred method. It can be messy and may leave a chemical taste on the food if not completely burned off prior to cooking. Once lit, never add additional starter fluid to the grill. Store the bottle at least 25ft (7.6m) away from the grill when operating.
- Additional smoke flavour can be achieved by adding smoker chips which are available in a variety of flavours through your Napoleon dealer.

## *Cooking With Your Grill*

- We recommend preheating the grill by operating it with the lid closed for approximately 20 minutes. The coals are ready when they have a light coating of grey ash.
- As a general rule plan on using about 50 briquettes to cook 2 lb. (1kg) of meat. If cooking for more than 30 to 40 minutes, additional briquettes must be added to the fire. When the weather is cold or windy, you will need more briquettes to reach ideal cooking temperatures.
- Use caution when adding charcoal to the grill. Flames may flare up when coals come in contact with fresh air. Stand back a safe distance and use a long-handled heat-resistant cooking tongs to add additional charcoal briquettes.
- Lid vents on a covered grill are usually left open to allow air into the grill. Air increases the burning temperature of the coals. You can regulate the grill's temperature by moving the vent slide to the right or left.
- Allow food to cook with the lid closed. Every time the lid is removed, the temperature drops. This leads to lower temperatures and longer cooking times.
- Closing the vents either partially or completely will help to cool down the coals. Do not completely close the air vents and the lid vent unless you are trying to cool down or extinguish a flame.
- The cooking grid can be oiled before preheating to reduce sticking.
- Use a meat thermometer to ensure foods are adequately cooked.

## *Grill Clean Up*

- Close the grill lid and all vents to extinguish fire.
- Always allow the grill to cool completely before handling.
- Never leave coals and ashes in grill unattended. Make sure coals and ashes are completely extinguished before removing.
- Use a metal spatula or scoop to remove remaining coals and ashes from grill. Place them in a non-combustible metal container and completely saturate with water. Leave in container an additional 24 hours before disposing.
- Use a brass wire brush to clean loose debris from the bowl and the insides of the lid.
- Wash the inside of the grill with a mild detergent and water. Rinse well with clear water and wipe dry.
- Porcelain enamel components must be handled with additional care. The baked-on enamel finish is glass-like, and will chip if struck. Touch-up enamel is available from your Napoleon Grill dealer.

**KEEP YOUR RECEIPT AS PROOF OF PURCHASE TO VALIDATE YOUR WARRANTY.**

# Ordering Replacement Parts

EN

## *Warranty Information*

MODEL: \_\_\_\_\_

DATE OF PURCHASE: \_\_\_\_\_

SERIAL NUMBER: \_\_\_\_\_

### ***(Record information here for easy reference)***

Before contacting the Customer Care Department, check the NAC Website for more extensive cleaning, maintenance, troubleshooting and parts replacement instructions at [www.napoleongrills.com](http://www.napoleongrills.com). Contact the factory directly for replacement parts and warranty claims. Our Customer Care Department is available between 9 AM and 5 PM (Eastern Standard Time) at 1-866-820-8686 or fax at 1-705-727-4282. To process a claim, we must be provided with the following information:

1. Model and serial number of the unit.
2. Part number and description.
3. A concise description of the problem ('broken' is not sufficient).
4. Proof of purchase (photocopy of the invoice).

In some cases the Customer Care Representative could request to have the parts returned to the factory for inspection before providing replacement parts. These parts must be shipped prepaid to the attention of the Customer Care Department with the following information enclosed:

1. Model and serial number of the unit.
2. A concise description of the problem ('broken' is not sufficient).
3. Proof of purchase (photocopy of the invoice).
4. Return Authorization Number - provided by the Customer Care Representative.

Before contacting customer care, please note that the following items are not covered by the warranty:

- Costs for transportation, brokerage or export duties.
- Labor costs for removal and reinstallation.
- Costs for service calls to diagnose problems.
- Discoloration of stainless steel parts.
- Part failure due to lack of cleaning and maintenance, or use of improper cleaners (oven cleaner).



**FAX TO: 705 727 4282**

# ACCESSORIES & PARTS ORDER FORM

PLEASE PRINT CLEARLY

CONTACT NAME: \_\_\_\_\_

SHIP TO : \_\_\_\_\_

\_\_\_\_\_

\_\_\_\_\_

\_\_\_\_\_

TEL : \_\_\_\_\_

FAX : \_\_\_\_\_

EMAIL: \_\_\_\_\_

VISA OR MASTERCARD # : \_\_\_\_\_ EXPIRY DATE: \_\_\_\_\_

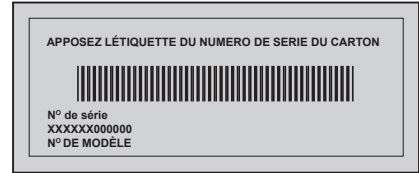
SIGNATURE: \_\_\_\_\_

QUANTITY	PART NUMBER	DESCRIPTION

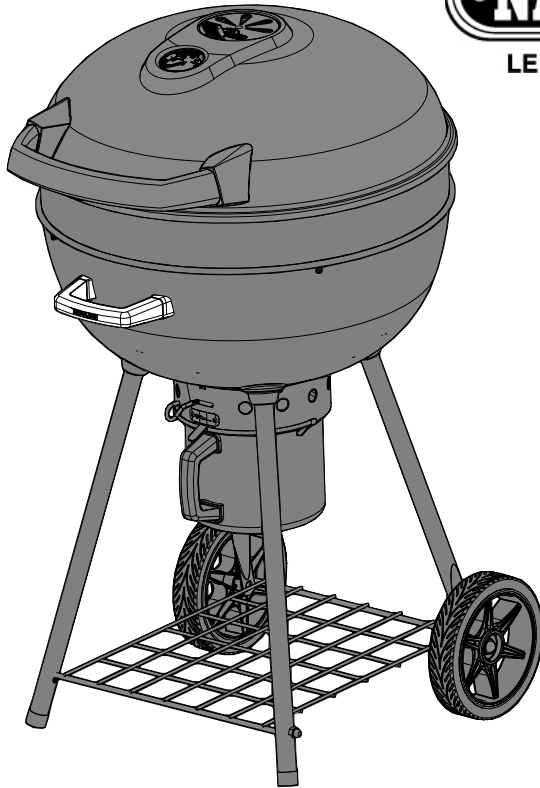
TAXES MAY APPLY  
SHIPPING EXTRA

**MANUEL D'ASSEMBLAGE, D'UTILISATION ET D'ENTRETIEN**  
**CE GRIL DOIT ÊTRE UTILISÉ UNIQUEMENT À L'EXTÉRIEUR DANS UN ENDROIT BIEN AÉRÉ**  
**CONSERVEZ CE MANUEL POUR CONSULTATION ULTÉRIEURE**

# GRILL AU CHARBON DE BOIS POUR L'EXTÉRIEUR



FR



**!** **AVERTISSEMENT**  
*Ne tentez pas d'allumer cet appareil avant d'avoir lu les instructions d'allumage de ce manuel.*

**!** **DANGER**  
*La combustion du charbon de bois dégage du monoxyde de carbone. Ne faites pas brûler de charbon de bois dans une maison, un garage, une tente, un véhicule ou dans un endroit clos.*

**!** **AVERTISSEMENT!** Si ces instructions ne sont pas suivies à la lettre, un incendie pourrait s'ensuivre, causant des blessures graves ou la mort.

Napoleon Appliance Corp.,  
214 Bayview Dr., Barrie, Ontario, Canada L4N 4Y8 Phone: 1-866-820-8686  
Fax: (705)725-2564 email: [wecare@napoleonproducts.com](mailto:wecare@napoleonproducts.com) web site: [www.napoleongrills.com](http://www.napoleongrills.com)



## MERCI D'AVOIR CHOISI NAPOLÉON

Les produits NAPOLÉON sont conçus avec des composants et des matériaux de qualité supérieure, assemblés par des artisans qualifiés qui sont fiers de leur travail. Ce gril a été soigneusement inspecté par un technicien qualifié avant d'être emballé et expédié pour garantir que vous, le client, recevez le produit de qualité dont vous vous attendez de NAPOLÉON.

Chez Napoléon, notre priorité c'est vous, cher client. Notre objectif est de vous fournir les outils nécessaires pour rendre inoubliable cette expérience de cuisson sur le gril. Ce manuel vous est fourni pour vous aider lors de l'assemblage, l'installation et l'entretien de votre nouveau gril. Il est important de lire et de comprendre ce manuel en entier avant d'utiliser votre nouveau gril afin de vous assurer de bien comprendre toutes les consignes de sécurité et toutes les caractéristiques de votre gril. En suivant attentivement les instructions de ce manuel, vous profiterez de votre gril pendant de nombreuses années, et ce, sans tracas. Si nous ne répondons pas à vos attentes pour quelque raison que ce soit, veuillez contacter notre département du service aux consommateurs au 1-866-820-8686 entre 9 h et 17 h (heure normale de l'Est) ou visitez notre site Web.

## GARANTIE À VIE LIMITÉE DU PRÉSIDENT DES GRILS NAPOLÉON

NAPOLÉON garantit votre nouveau gril contre tous défauts concernant les matériaux et la fabrication tant et aussi longtemps que vous êtes propriétaire du gril. Cette garantie couvre : la base en porcelaine émaillée, les couvercles en porcelaine émaillée, les poignées de la base et du couvercle, sous réserve des conditions suivantes. Pendant les dix premières années, NAPOLÉON fournira gratuitement les pièces de rechange selon son choix. De la onzième année à vie, NAPOLÉON fournira les pièces de rechange à 50 % du prix de détail courant.

Les composants tels que les tablettes latérales, les pattes du chariot et les panneaux du chariot sont couverts et NAPOLÉON fournira les pièces gratuitement durant les cinq premières années de la garantie limitée.

Tous les autres composants tels que les grilles de cuisson, la grille à charbon de bois, le déflecteur d'air, le récipient à cendres, la jauge de température, la tablette grillagée, les roues, les attaches et les accessoires sont couverts et NAPOLÉON fournira les pièces gratuitement durant la première année de la garantie limitée.

NAPOLÉON n'assumera aucuns frais d'expédition, de main-d'œuvre ou de taxes d'exportation.

## CONDITIONS ET LIMITATIONS

« NAPOLÉON garantit ses produits contre les défauts de fabrication à l'acheteur d'origine seulement, à condition que l'achat ait été fait par l'entremise d'un détaillant autorisé NAPOLÉON et sous réserve des conditions et limitations suivantes. »

Cette garantie du fabricant n'est pas transférable et ne peut être prolongée ou étendue par aucun de nos représentants quelle qu'en soit la raison.

Le gril doit être installé par un installateur ou entrepreneur qualifié. L'installation doit être faite conformément aux instructions d'installation incluses avec le produit et à tous les codes d'incendie et de construction locaux et nationaux.

Cette garantie limitée ne couvre pas les dommages causés par un mauvais usage, un manque d'entretien, des feux de graisse, un environnement inadéquat, un accident, des altérations, des abus ou de la négligence, et l'installation de pièces d'autres fabricants annulera cette garantie.

Cette garantie limitée ne couvre pas non plus les égratignures, les bossellements, les surfaces peintes, la corrosion ou la décoloration causés par la chaleur ou les produits d'entretien chimiques et abrasifs, ni l'écaillage des pièces en porcelaine émaillée ni les composants utilisés dans l'installation du gril.

Dans le cas d'une détérioration des composants causant un mauvais fonctionnement de l'appareil pendant la période couverte par la garantie, les pièces de rechange seront fournies par Napoléon.

Au cours de la première année seulement, cette garantie s'étend à la réparation ou au remplacement des pièces garanties dont les matériaux ou la fabrication sont défectueux sous condition que le produit ait été utilisé conformément aux instructions de fonctionnement et dans des conditions normales.

Après la première année, concernant cette Garantie à Vie Limitée du Président, NAPOLÉON peut, à sa discrétion, se libérer entièrement de toutes obligations concernant cette garantie en remboursant à l'acheteur d'origine le prix de gros de toute pièce garantie qui est défectueuse.

NAPOLÉON ne sera pas responsable de l'installation, de la main-d'œuvre ou autres coûts ou dépenses relatives à la réinstallation d'une pièce garantie, et de telles dépenses ne sont pas couvertes par cette garantie.

Nonobstant toutes les dispositions contenues dans cette Garantie à Vie Limitée du Président, la responsabilité de NAPOLÉON sous cette garantie est définie comme ci-dessus et elle ne s'appliquera à aucun dommage accidentel, consécutif ou indirect.

Cette garantie définit les obligations et les responsabilités de NAPOLÉON concernant le gril NAPOLÉON; toutes autres garanties exprimées ou implicites concernant ce produit, ses composants ou accessoires sont exclues.

NAPOLÉON n'endosse ni n'autorise aucun tiers à assumer en son nom toute autre responsabilité concernant la vente de ce produit. NAPOLÉON ne sera pas responsable d'une surchauffe, de l'extinction du brûleur causée par des conditions environnementales telles que des vents forts ou une ventilation inadéquate.

Tous dommages causés au gril par les intempéries, la grêle, un usage abusif ou l'utilisation de produits chimiques ou de produits d'entretien nuisibles ne seront pas la responsabilité de NAPOLÉON.

La facture ou sa copie sera requise ainsi que le numéro de série et de modèle du gril lors d'une réclamation auprès de NAPOLÉON.

NAPOLÉON se réserve le droit de demander à son représentant d'inspecter tous produits ou pièces avant d'honorer toute réclamation.

NAPOLÉON n'assumera aucuns frais de transport, de main-d'œuvre ou taxes d'exportation.

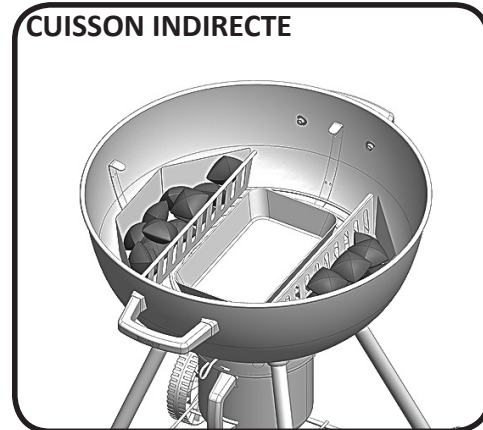
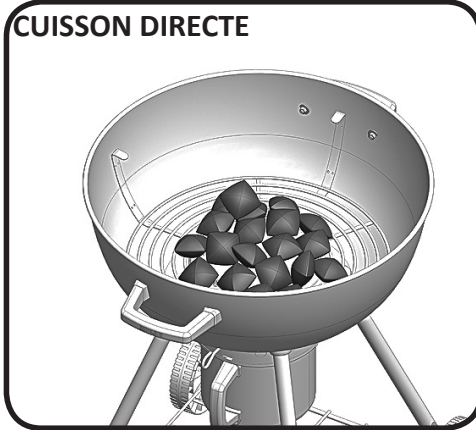


**AVERTISSEMENT!** Si ces instructions ne sont pas suivies, des dommages matériels, des blessures corporelles ou des pertes de vie pourraient s'ensuivre. Lisez et respectez tous les avertissements et les instructions de ce manuel avant de faire fonctionner le grill.

## Pratiques Sécuritaires D'utilisation

- Lisez le manuel d'instructions en entier avant d'utiliser le grill.
- Ce grill ne devra être modifié en aucun cas.
- Suivez attentivement les instructions d'allumage lorsque vous faites fonctionner le grill.
- N'allumez pas les charbons de bois avec le couvercle fermé.
- Ne vous penchez pas au-dessus du grill lors de l'allumage.
- N'employez pas d'essence, d'alcool ou d'autres liquides volatiles pour allumer les charbons de bois. Utilisez UNIQUEMENT de l'allume-briquettes liquide approuvé. Avant d'allumer les briquettes, assurez-vous de bien essuyer tout liquide qui s'est écoulé par la base du grill.
- N'ajoutez jamais d'allume-briquettes liquide sur des briquettes chaudes ou tièdes.
- Après utilisation et avant l'allumage, le contenant d'allume-briquettes liquide doit être refermé et entreposé à une distance sécuritaire du grill, au moins 25 pieds (7.6m).
- Tenez les enfants et les animaux éloignés du grill chaud. NE laissez pas les enfants grimper dans le cabinet.
- Ne laissez pas le grill sans surveillance lorsqu'il est utilisé.
- Ne pas déplacer le grill pendant qu'il fonctionne ou qu'il est chaud.
- Ce grill ne doit pas être installé dans ou sur des véhicules récréatifs et/ou des bateaux.
- Ce grill doit être utilisé uniquement à l'extérieur, dans un endroit bien aéré et ne doit jamais être utilisé à l'intérieur d'un bâtiment, d'un garage, d'une véranda avec paramoustique, d'un gazebo ou tout autre endroit fermé.
- Respectez les dégagements recommandés aux matériaux combustibles 5 pieds (1.5m) sur les côtés. Ces mêmes dégagements sont aussi recommandés à proximité d'un recouvrement de vinyle ou d'une grande surface vitrée. Le grill ne doit pas être utilisé sur des surfaces combustibles (patios ou vérandas en bois ou en composite).
- En tout temps, gardez les ouvertures d'aération du cabinet libres et exemptes de débris.
- Ne placez pas le grill sous une construction combustible non protégée.
- Ne pas utiliser ce grill sous une installation couverte comme une couverture, un abri d'auto, un auvent ou tout ouvrage en surplomb.
- N'installez pas le grill dans un endroit venteux. Les vents forts nuiront à la performance de cuisson de votre grill.
- Le couvercle doit être fermé lors de la période de préchauffage du grill.
- Le tiroir d'égouttement et à cendres doit être installé lors de l'utilisation du grill.
- Nettoyez régulièrement le tiroir d'égouttement et à cendres pour empêcher les accumulations qui pourraient causer des feux de graisse.
- N'utilisez pas les tablettes latérales pour entreposer des briquets, des allumettes ou autres matériaux inflammables.
- En tout temps, le grill doit être sur une surface de niveau.
- Pour éviter d'endommager le fini de votre grill, n'utilisez pas d'eau pour contrôler les poussées de flamme ou pour éteindre les briquettes.
- Pour contrôler les poussées de flammes, fermez un peu les portes d'alimentation en air du grill. Pour éteindre complètement les briquettes ou un feu, fermez entièrement toutes les portes d'alimentation en air et le couvercle.
- Utilisez des ustensiles de cuisson appropriés avec de longs manches résistant à la chaleur.
- Utilisez des gants pour le grill ou des sous-plats pour protéger vos mains lors de la cuisson ou du réglage des portes d'alimentation en air.
- N'enlevez pas les cendres du grill avant que les briquettes soient complètement brûlées et éteintes. Laissez-les refroidir suffisamment.
- Enlevez les briquettes et les cendres, entreposez-les dans un contenant en métal incombustible et laissez reposer 24 heures avant de les jeter.
- Tenez les cordons d'alimentation électriques loin de l'eau et des surfaces chaudes.
- Utilisez toujours ce grill en conformité avec les codes locaux.
- **Proposition 65 De La Californie:** La combustion charbon de bois crée des sous-produits, parmi lesquels certains se retrouvent sur la liste de substances connues par l'état de Californie comme causant le cancer ou autres dangers pour la reproduction. Lorsque vous cuisinez avec le charbon de bois, assurez-vous de toujours avoir une ventilation adéquate afin de minimiser l'exposition à ces substances.

# Instruction D'allumage



## Utilisation des briquettes

Diamètre du grill	Méthode de cuisson	Briquettes recommandées
22" (56cm)	Cuisson directe	50
22" (56cm)	Cuisson indirecte	25 par côté * (en ajouter 8 de chaque côté pour chaque heure de cuisson supplémentaire)

\* Les recommandations relatives aux briquettes sont approximatives. Un temps de cuisson plus long requiert plus de briquettes. En outre, les températures plus froides et la présence de vent feront en sorte qu'il faudra plus de briquettes pour atteindre les températures de cuisson idéales.



**AVERTISSEMENT!** Ouvrez le couvercle.

**AVERTISSEMENT!** Installez le grill à l'extérieur sur une surface solide, à niveau et incombustible. N'utilisez jamais le grill sur une surface en bois ou toute autre surface combustible.

**AVERTISSEMENT!** Ne vous penchez pas au-dessus du grill lors de l'allumage.

**AVERTISSEMENT!** Le récipient à cendres doit être en place lors de l'allumage et en tout temps durant l'utilisation.

MÉTHODE DE CUISSON DIRECTE	MÉTHODE DE CUISSON INDIRECTE
1. Ouvrez complètement la porte d'alimentation en air sur le couvercle et sur la base. Retirez le couvercle du grill et enlevez la grille de cuisson.	1. Ouvrez complètement la porte d'alimentation en air sur le couvercle et sur la base. Retirez le couvercle du grill et enlevez la grille de cuisson.
2. Nettoyez le récipient à cendres ayant été utilisé précédemment puis réinstallez-le.	2. Nettoyez le récipient à cendres ayant été utilisé précédemment puis réinstallez-le.
3. Le grill peut être utilisé avec ou sans le déflecteur d'air central. Le déflecteur assurera l'uniformité de la température et ralentira la vitesse de combustion au centre du grill. Utilisez la cheminée d'allumage Ultrachef (non comprise) en suivant les instructions fournies dans le manuel, ou placez des cubes d'allumage ou du papier journal légèrement chiffonné au-dessus et autour du déflecteur d'air. Empilez les briquettes en forme de cône, dans le centre de l'unité, sur le journal ou sur les cubes d'allumage.	3. Retirez le déflecteur d'air central et placez un bac d'égouttement. Placez les paniers à briquettes optionnels de chaque côté du bac d'égouttement. Utilisez la cheminée d'allumage (non comprise) en suivant les instructions fournies dans le manuel, ou placez des cubes d'allumage ou du papier journal légèrement chiffonné dans les paniers à briquettes. Placez les briquettes dans les paniers, sur le journal ou sur les cubes d'allumage.
4. Allumez le papier journal ou les cubes d'allumage. Une fois les briquettes bien allumées, fermez le couvercle et laissez-les brûler jusqu'à ce qu'elles soient recouvertes d'une cendre légèrement grise (environ 20 minutes).	4. Allumez le papier journal ou les cubes d'allumage. Une fois les briquettes bien allumées, fermez le couvercle et laissez-les brûler jusqu'à ce qu'elles soient recouvertes d'une cendre légèrement grise (environ 20 minutes).
5. Avec des pinces à long manche résistantes à la chaleur, étalez les briquettes pour couvrir uniformément toute la grille (y compris le déflecteur d'air central).	





De l'allume-feu liquide peut être utilisé pour allumer les briquettes, mais n'est pas recommandé. Cela peut être salissant et peut laisser un goût chimique sur les aliments s'il n'a pas complètement brûlé avant la cuisson. Une fois les briquettes allumées, n'y ajoutez jamais d'autre allume-feu liquide. Gardez le flacon à une distance d'au moins 25 pieds (7,6 m) du gril en marche.



### **Consignes de sécurité lors de l'utilisation de la cheminée d'allumage**

#### **AVERTISSEMENT!**

- Pour utilisation à l'extérieur seulement.
- N'utilisez pas la cheminée d'allumage à moins qu'elle soit placée sur une grille à niveau et que le gril soit placé sur une surface solide, à niveau et incombustible.
- Ne placez pas la cheminée d'allumage sur une surface combustible à moins que celle-ci soit complètement refroidie.
- N'utilisez pas d'essence à briquet, d'essence ni de briquettes auto-allumantes dans la cheminée d'allumage.
- Utilisez uniquement la cheminée d'allumage pour allumer des briquettes pour les grils au charbon de bois.  
Portez toujours des gants protecteurs lorsque vous manipulez la cheminée d'allumage.  
En tout temps, gardez les enfants et les animaux éloignés de la cheminée d'allumage.  
N'utilisez pas la cheminée d'allumage lorsqu'il y a de grands vents.  
Ne laissez pas la cheminée d'allumage en marche sans surveillance.  
Ne vous penchez pas au-dessus de la cheminée d'allumage lors de l'allumage.  
N'utilisez jamais la cheminée d'allumage pour d'autres fins que celles prévues. N'utilisez pas la cheminée d'allumage pour cuire des aliments.  
Soyez extrêmement prudent lorsque vous versez les briquettes chaudes de la cheminée d'allumage.

CHEMINÉE D'ALLUMAGE



FR

### **Utilisation de la cheminée d'allumage**

- Tournez la cheminée d'allumage à l'envers.
- Chiffonnez deux feuilles complètes de papier journal et placez-les dans le fond de la cheminée d'allumage.
- Replacez la cheminée d'allumage à l'endroit et placez-la au centre de la grille à charbon de bois.
- Ajoutez la quantité appropriée de briquettes sans trop remplir.
- Allumez une allumette et insérez-la dans l'un des événements situés dans le bas afin d'allumer le papier journal.
- Lorsque les briquettes sont recouvertes d'une légère couche de cendres grises, mettez des gants protecteurs et versez soigneusement les briquettes chaudes sur la grille à charbon de bois (méthode de cuisson directe) ou dans les paniers à briquettes (méthode indirecte).
- Une fois les briquettes chaudes placées sur la grille, étalez-les uniformément à l'aide de pinces à long manche résistantes à la chaleur.

## Guide de Cuisson au Charbon de Bois

Le charbon de bois est la méthode traditionnelle de cuisson à l'infrarouge avec laquelle nous sommes le plus familier. Les briquettes incandescentes émettent de l'énergie infrarouge à l'aliment qui se fait cuire et ce, avec très peu d'assèchement. Les jus ou les huiles qui s'échappent des aliments tombent sur le charbon de bois et se vaporisent en fumée pour donner un délicieux goût grillé aux aliments. Le gril au charbon de bois de Napoléon® produit un rayonnement intense qui vous donnera des steaks, des viandes et des hamburgers plus juteux et plus savoureux. Pour connaître les temps de cuisson et certains conseils, consultez le tableau de cuisson.

Le tableau suivant n'est qu'à titre indicatif seulement. Les temps de cuisson sont influencés par des facteurs tels que l'altitude, la température extérieure, le vent et le degré de cuisson désiré. Pour saisir instantanément les aliments, le bac à charbon peut être installé à la position la plus élevée. Use a meat thermometer to ensure foods are adequately cooked.

### Tableau de Cuisson au Charbon de Bois

ALIMENT	CUISSON DIRECTE OU INDIRECTE	TEMPS DE CUISSON	SUGGESTIONS
Bifteck 1" (2.54 cm) d'épaisseur	Cuisson directe	6 à 8 min. à Cuisson directe chaleur moyenne	Lorsque vous choisissez votre viande, demandez une viande qui est marbrée. Le gras de la viande agira comme un élément attendrissant durant la cuisson et gardera la viande plus juteuse.
Burger 1/2" (1.27 cm) d'épaisseur	Cuisson directe	6 à 8 min. à chaleur moyenne	Pour terminer la cuisson de vos burgers tous en même temps, nous vous conseillons de varier l'épaisseur de vos galettes. Pour ajouter une saveur exotique à votre viande, ajoutez des copeaux de bois à saveur de hickory aux briquettes.
Morceaux de poulet	Cuisson directe approx. 2 min. par côté, puis cuisson indirecte pour les 18 à 20 min. restantes.	20 à 25 min.	L'articulation qui retient le pilon à la cuisse doit être coupée au 3/4 à partir du côté sans peau afin de permettre à la viande d'être plus à plat sur la grille de cuisson. Ceci permettra à la viande de cuire de façon plus uniforme et plus rapidement. Pour ajouter une touche personnelle à votre poulet, ajoutez des copeaux de bois à saveur de mesquite aux briquettes.
Côtelettes de porc	Cuisson directe	10 à 15 min.	Coupez l'excès de gras avant de faire cuire. Choisissez des côtelettes de porc plus épaisses pour obtenir une viande plus tendre.
Côtes levées	Cuisson directe pendant 5 min., cuisson indirecte pour terminer	1,5 à 2 heures, en tournant souvent	Choisissez des côtes bien charnues et maigres. Grillez jusqu'à ce que la viande se détache facilement des os.
Côtelettes d'agneau	Cuisson directe	25 à 30 min.	Coupez l'excès de gras avant de faire cuire. Choisissez des côtelettes très épaisses pour obtenir une viande plus tendre.
Saucisses	Cuisson directe	4 à 6 min.	Choisissez des saucisses plus grosses. Faites une entaille dans la peau, sur la longueur de la saucisse avant de faire griller.

# Instructions D'opération

**Éclairage initial:** Lorsqu'il est allumé pour la première fois, le grill dégagera une légère odeur. Ceci est un phénomène normal et temporaire causé par l'évaporation des peintures et lubrifiants internes utilisés dans le processus de fabrication et ne se reproduira plus. Il suffit de faire fonctionner le grill à température élevée pendant environ 30 minutes avec les portes d'alimentation en air de la base et du couvercle complètement ouvertes.

**Utilisation Du Compartiment Principal:** Le préchauffage du grill est recommandé en le faisant fonctionner une vingtaine de minutes, le couvercle fermé. Les charbons de bois sont prêts lorsqu'ils sont légèrement couverts de cendre grise. Les aliments qui cuisent rapidement (poisson, légumes) peuvent être grillés avec le couvercle ouvert. La cuisson avec le couvercle fermé assurera des températures plus élevées et plus égales. Ceci réduira le temps de cuisson et les aliments seront cuits plus uniformément. Pour que les viands très maigres, comme de la poitrine de poulet ou du porc maigre, collent moins lors de la cuisson, vous pouvez huiler les grilles avant de préchauffer le grill. La cuisson de viandes très grasses peut causer des poussées de flamme. Pour les éviter, enlevez une partie du gras ou réduisez la température. Si une poussée de flamme survient, éloignez les aliments des flammes, réduisez la chaleur (en réduisant l'ouverture des portes d'alimentation en air). Laissez le couvercle ouvert.

**Règle générale, la cuisson de deux livre de viande requiert approximativement une cinquantaine de briquettes. Si la cuisson exige plus de 30 à 40 minutes, vous devrez ajouter d'autres briquettes.**

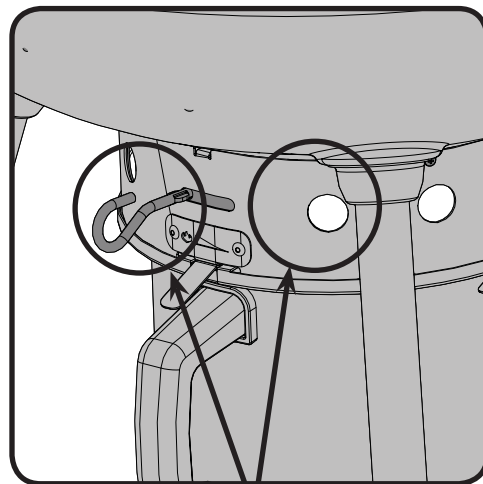
**Lorsque le temps est venteux ou froid, vous devrez utiliser davantage de briquettes pour atteindre une température de cuisson idéale.**

**Ajout De Briquettes En Cours De Cuisson:** Faites attention en ajoutant le charbon de bois au grill. Soyez prudent, car les briquettes peuvent s'embraser au contact de l'air. Pour ajouter d'autres briquettes, tenez-vous à une distance sécuritaire du grill et utilisez une pince à longs manches résistant à la chaleur. Des rebats de chaque côté de la grille de cuisson permettent d'accéder à la grille de charbon de bois.

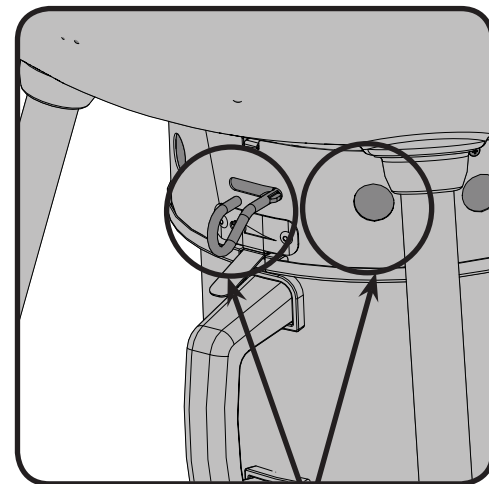


**AVERTISSEMENT!** N'ajoutez jamais d'allume-briquettes liquide sur des briquettes chaudes ou tièdes. Nul besoin d'ajouter de l'allume-briquettes liquide sur des charbons de bois déjà allumés.

**Fonctionnement des portes d'alimentation en air :** lorsque le couvercle du grill est fermé, les portes d'alimentation en air sur le couvercle doivent habituellement être ouvertes pour laisser l'air pénétrer dans le grill. L'air accroîtra la température de combustion des briquettes. Vous pouvez contrôler la température du grill en ajustant les portes d'alimentation en air. Pour ce faire, glissez les portes vers la droite ou la gauche. Fermer les portes, partiellement ou complètement, aidera à faire refroidir les briquettes. Ne fermez pas complètement les portes d'alimentation en air sur la base et le couvercle, à moins de vouloir refroidir les briquettes ou d'éteindre une flamme.



**OUVERT VENT**



**FERMÉ VENT**

## Consignes De Sécurité Après L'utilisation

**AVERTISSEMENT!** Soyez prudent afin de vous protéger et d'éviter d'endommager la propriété.

- Fermez le couvercle et toutes les portes d'alimentation en air pour éteindre le feu.
- Laissez refroidir complètement le gril avant de le manipuler.
- Ne laissez pas sans surveillance un gril qui contient des charbons ou des cendres. Assurez-vous qu'ils sont complètement éteints avant de les enlever.
- Enlevez les charbons restants et la cendre du gril. Placez les charbons restants et la cendre dans un contenant métallique incombustible, puis saturez le tout avec de l'eau. Attendez 24 heures avant de disposer du contenu.

## Instructions D'entretien et de Nettoyage

Nous vous recommandons de vider le tiroir d'égouttement et à cendres après chaque utilisation.



**AVERTISSEMENT!** Assurez vous que le gril est refroidi et que tous les charbons sont complètement éteints avant d'enlever tout composant du gril.

**AVERTISSEMENT!** Portez toujours des gants protecteurs et des lunettes de sécurité lorsque vous nettoyez votre gril.

**AVERTISSEMENT!** N'utilisez pas de laveuse à pression pour nettoyer les composants du gril.

**AVERTISSEMENT!** L'entretien devrait être effectué seulement lorsque le gril est froid pour éviter toutes possibilités de brûlure. Évitez tout contact avec les surfaces chaudes. Nettoyez votre gril dans un endroit où les produits de nettoyage n'endommageront pas votre patio, pelouse ou terrasse. N'utilisez pas de produit à nettoyer les fours pour nettoyer votre gril au charbon de bois. N'utilisez pas un four autonettoyant pour nettoyer les grilles de cuisson ou tout autre composant de votre gril au charbon de bois. La sauce BBQ et le sel sont corrosifs et causeront une détérioration rapide de votre gril au charbon de bois à moins de le nettoyer régulièrement.

**Les Grilles De Cuisson Et La Grille-Réchaud:** Les grilles de cuisson et la grille-réchaud sont plus faciles à nettoyer durant la période de préchauffage en utilisant une brosse en laiton.

**Nettoyage De L'intérieur Du Gril:** Enlevez les grilles de cuisson. Utilisez une brosse en laiton pour enlever les débris non incrustés sur les côtés de la cuve et à l'intérieur du couvercle. Grattez l'intérieur de la cuve avec un couteau à mastic ou un grattoir, puis utilisez une brosse en laiton pour enlever les dépôts de carbone. Nettoyez l'intérieur du gril avec une brosse en faisant tomber les débris dans le tiroir d'égouttement et à cendres amovible. Si désiré, vous pouvez nettoyer l'intérieur du gril avec un savon doux et de l'eau. Rincez à fond avec de l'eau claire et essuyez.



**AVERTISSEMENT!** L'accumulation de graisse peut présenter un risque de feu. Il devrait être nettoyé après chaque utilisation afin d'éviter une accumulation de graisse.

**Tiroir D'égouttement Et À Cendres:** Sortez le tiroir d'égouttement pour en faciliter le nettoyage. Les cendres, la graisse et les jus de cuisson tombent dans le tiroir d'égouttement situé sous le gril et créent une accumulation. Le tiroir d'égouttement devrait être gratté à l'aide d'un couteau à mastic ou d'un grattoir en jetant les débris dans un contenant métallique incombustible. Nettoyez le tiroir d'égouttement et à cendres avec un détergent doux et de l'eau. Rincez à fond avec de l'eau claire et essuyez.

**Nettoyage De L'extérieur Du Gril:** N'utilisez pas de produits abrasifs pour nettoyer les pièces peintes, de fini porcelaine ou en acier inoxydable. Les éléments en porcelaine émaillée doivent être manipulés avec soin. Le fini émaillée étant cuit il devient comme du verre; il s'ébrêchera au moindre choc. Vous pouvez vous procurer de la peinture émaillée pour les retouches chez votre détaillant NAPOLEON. Utilisez une solution d'eau savonneuse chaude pour nettoyer l'extérieur du gril pendant qu'il est encore tiède au toucher. Pour nettoyer les surfaces en acier inoxydable utilisez un produit de nettoyage à acier inoxydable ou un produit de nettoyage tout usage sans abrasif. Frottez toujours dans le sens du grain. N'utilisez pas de laine d'acier car elle égratignerait le fini. Les pièces en acier inoxydable vont décolorer sous l'effet de la chaleur pour habituellement prendre une couleur dorée ou brune. Cette décoloration est normale et n'affectera pas la performance du gril.

# Guide De Dépannage

Problème	Causes possibles	Solution
Faible chaleur / petite flamme.	<p>Mauvais préchauffage.</p> <p>Circulation d'air insuffisante.</p> <p>Quantité de briquettes insuffisantes.</p> <p>Le couvercle est ouvert trop souvent.</p>	<p>Laissez brûler les briquettes jusqu'à ce qu'elles soient légèrement couvertes de cendre grise.</p> <p>Ouvrez les portes d'alimentation en air.</p> <p>Ajoutez des briquettes dans le bac à charbon de bois.</p> <p>Faites cuire les aliments avec le couvercle fermé. Chaque fois que le couvercle est levé, la température baisse. Cela entraîne des températures plus basses et des temps de cuisson plus longs.</p>
Poussées de flamme excessives / chaleur inégale.	<p>Mauvais préchauffage.</p> <p>Accumulation excessive de graisse et de cendre dans le tiroir d'égouttement et à cendres.</p>	<p>Préchauffez le grill, le couvercle fermé, pendant 20 à 25 minutes et étalez-les uniformément à l'aide de pinces à long manche résistantes à la chaleur.</p> <p>Nettoyez le tiroir régulièrement. Ne tapissez pas le tiroir de papier d'aluminium. Consultez les instructions de nettoyage.</p>
La peinture semble peler à l'intérieur du couvercle ou de la hotte.	Accumulation de graisse sur les surfaces intérieures.	Ceci n'est pas un défaut. Le fini du couvercle est en porcelaine et ne pèlera pas. Le pelage est causé par la graisse qui durcit et sèche comme des éclats de peinture qui pèlent. Un nettoyage régulier préviendra ce problème. Consultez les instructions de nettoyage.

FR

# Aperçu de la cuisson au charbon de bois

## Allumage de votre gril

- Avant de procéder à la première cuisson, nous vous recommandons de faire fonctionner votre gril à température élevée pendant 30 minutes en gardant les portes d'alimentation en air de la base et du couvercle complètement ouvertes. Les lubrifiants utilisés dans le processus de fabrication seront ainsi évaporés.
- Ouvrez complètement les portes d'alimentation en air sur le couvercle et sur la base à chaque fois que vous allumez votre gril.
- Nettoyez le récipient à cendres ayant été utilisé précédemment puis réinstallez-le.
- Le gril peut être utilisé avec ou sans le déflecteur d'air central. Le déflecteur assurera l'uniformité de la température et ralentira la vitesse de combustion au centre du gril.
- Utilisez la cheminée d'allumage Ultrachef (non comprise) en suivant les instructions fournies dans le manuel, ou placez des cubes d'allumage ou du papier journal légèrement chiffonné au-dessus et autour du déflecteur d'air. Empilez les briquettes en forme de cône, au centre de l'unité (méthode de cuisson directe) ou dans les paniers à briquettes optionnels (méthode indirecte).
- Une fois les briquettes bien allumées, fermez le couvercle et laissez les briquettes brûler jusqu'à ce qu'elles soient recouvertes d'une cendre légèrement grise (environ 20 minutes). Répartissez les briquettes à l'aide de pinces à long manche résistantes à la chaleur selon la méthode de cuisson que vous prévoyez utiliser.
- De l'allume-feu liquide peut être utilisé pour allumer les briquettes, mais n'est pas recommandé. Cela peut être salissant et peut laisser un goût chimique sur les aliments s'il n'a pas complètement brûlé avant la cuisson. Une fois les briquettes allumées, n'y ajoutez jamais d'autre allume-feu liquide. Gardez le flacon à une distance d'au moins 25 pieds (7,6 m) du gril en marche.
- Des arômes de fumée supplémentaires peuvent être obtenus en ajoutant des copeaux de bois variés offerts chez votre détaillant Napoléon.

## Cuisson sur votre gril

- Nous vous recommandons de préchauffer le gril en le faisant fonctionner avec le couvercle fermé pendant environ 20 minutes. Les briquettes sont prêtes quand elles sont recouvertes d'une légère couche de cendre grise.
- En règle générale, prévoyez utiliser environ 50 briquettes pour cuire 2 lb (1 kg) de viande. Si la cuisson dure plus de 30 ou 40 minutes, vous devrez ajouter des briquettes supplémentaires. Si le temps est froid ou venteux, vous aurez besoin de plus de briquettes afin d'atteindre les températures de cuisson idéales.
- Soyez prudent lorsque vous ajoutez des briquettes dans le gril. Les flammes peuvent monter lorsque les charbons sont en contact avec l'air frais. Tenez-vous à une distance sécuritaire et utilisez une pince de cuisine à long manche résistante à la chaleur lors de l'ajout de briquettes.
- Lorsque le couvercle du gril est fermé, les portes d'alimentation en air sur le couvercle doivent habituellement être ouvertes pour laisser l'air pénétrer dans le gril. L'air accroîtra la température de combustion des briquettes. Vous pouvez contrôler la température du gril en ajustant les portes d'alimentation en air. Pour ce faire, glissez les portes vers la droite ou la gauche.
- Faites cuire la nourriture en gardant le couvercle fermé. Chaque fois que le couvercle est levé, la température baisse. Cela entraîne des températures plus basses et des temps de cuisson plus longs.
- Fermer les portes d'alimentation en air, partiellement ou complètement, aidera à faire refroidir les briquettes. Ne fermez pas complètement les portes d'alimentation en air sur la base et le couvercle, à moins de vouloir refroidir les briquettes ou d'éteindre une flamme.
- La grille de cuisson peut être huilée avant le préchauffage afin d'éviter que les aliments collent.
- Utilisez un thermomètre à viande pour vous assurer que les aliments sont cuits adéquatement.

## Nettoyage du gril

- Fermez le couvercle du gril et toutes les portes d'alimentation en air afin d'éteindre le feu.
- Laissez toujours refroidir complètement le gril avant de le manipuler.
- Ne laissez jamais les briquettes ni les cendres dans le gril sans surveillance. Assurez-vous que les briquettes et les cendres sont complètement éteintes avant de les enlever.
- Utilisez une spatule métallique ou une cuillère pour retirer les cendres et les charbons du gril. Placez-les dans un récipient en métal incombustible et imbitez-les dans l'eau. Laissez-les dans le récipient pendant 24 heures avant de les jeter.
- Utilisez une brosse en laiton pour enlever les débris de la cuve et à l'intérieur du couvercle.
- Lavez l'intérieur du gril avec un détergent doux et de l'eau. Rincez à l'eau claire et essuyez.
- Les composants en porcelaine émaillée doivent être manipulés avec soin. Le fini émaillé est semblable à du verre et peut s'ébrécher facilement. De la peinture-émail pour retouches est disponible chez votre détaillant Napoléon.

# **GARDEZ VOTRE REÇU COMME PREUVE D'ACHAT POUR VALIDER VOTRE Commande De Pièces De Rechange**

## **Information Sur La Garantie**

MODÈLE: \_\_\_\_\_

DATE D'ACHAT: \_\_\_\_\_

NUMÉRO DE SÉRIE: \_\_\_\_\_

FR

### ***(Inscrivez l'information ici pour y avoir accès facilement.)***

Avant de contacter le département du service aux consommateurs, consultez le site Web de NAC pour obtenir plus d'instructions sur le nettoyage, l'entretien, le dépannage et le remplacement des pièces à [www.napoleongrills.com](http://www.napoleongrills.com). Contactez le fabricant directement pour obtenir des pièces de rechange et faire des réclamations au titre de la garantie. Le département du service aux consommateurs est à votre disposition entre 9 h et 17 h (heure normale de l'Est) au 1-866-820-8686 ou par télécopieur au 705-727-4282. Pour qu'une réclamation soit traitée, l'information suivante est nécessaire :

1. Modèle et numéro de série de l'appareil.
2. Numéro de la pièce et description.
3. Description concise du problème (« brisé » n'est pas suffisant).
4. Preuve d'achat (copie de la facture).

Dans certains cas, le département du service aux consommateurs peut demander de retourner la pièce pour des fins d'inspection avant de fournir une pièce de rechange. Les pièces doivent être expédiées port payé à l'attention du département du service aux consommateurs avec l'information suivante :

1. Modèle et numéro de série de l'appareil.
2. Description concise du problème (« brisé » n'est pas suffisant).
3. Preuve d'achat (copie de la facture).
4. Numéro d'autorisation de retour - fourni par le représentant du département du service aux consommateurs.

Avant de contacter le service aux consommateurs, veuillez prendre note que les items suivants ne sont pas couverts par la garantie :

- coûts de transport, de courtage et frais d'exportation;
- coûts de main-d'oeuvre pour l'enlèvement et l'installation de la pièce;
- coûts des appels de service pour diagnostiquer le problème;
- décoloration des pièces en acier inoxydable;
- bris des pièces causé par un manque d'entretien et de nettoyage, ou par l'utilisation de nettoyeurs inappropriés (nettoyant à fourneau).



TÉLÉCOPIEZ AU: 705 727 4282

## BON DE COMMANDE POUR PIÈCES/ACCESSOIRES

NOM DU CLIENT \_\_\_\_\_

ADRESSE: \_\_\_\_\_

\_\_\_\_\_

\_\_\_\_\_

TÉLÉPHONE : \_\_\_\_\_ FAX : \_\_\_\_\_

EMAIL: \_\_\_\_\_

# VISA OU MASTERCARD : \_\_\_\_\_ DATE D'EXPIRATION : \_\_\_\_\_

SIGNATURE: \_\_\_\_\_

QUANTITÉ	NUMÉRO DE PRODUIT	DESCRIPTION

LES TAXES PEUVENT S'APPLIQUER  
LES FRAIS D'EXPEDITION SUPPLÉMENTAIRE

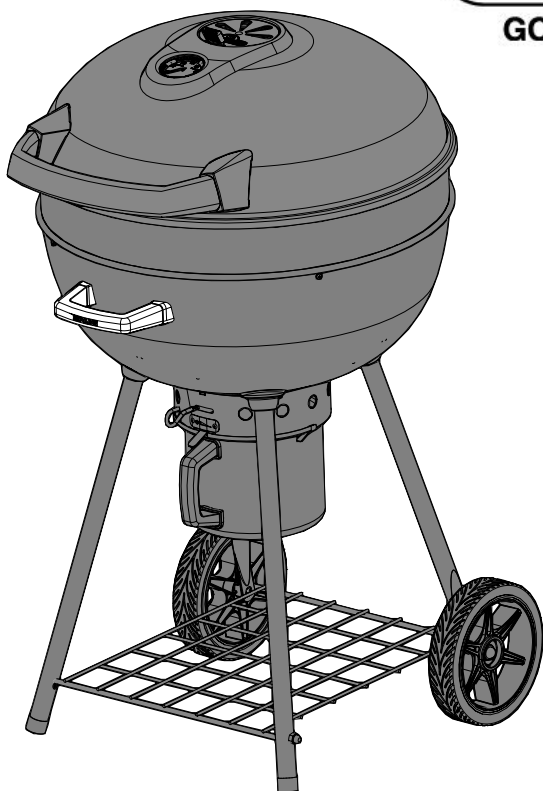
SI VOUS DÉSIREZ RECEVOIR UNE CONFIRMATION, VEUILLEZ INCLURE UN NUMÉRO DE  
TÉLÉCOPIEUR OU UNE ADRESSE COURRIEL



## HANDLEIDING VOOR MONTAGE GEBRUIK EN ONDERHOUD

DEZE GRILL MOET ALLEEN BUITENSHUIS GEBRUIKT WORDEN IN EEN GOED GEVENTILEERDE RUIMTE  
BEWAAR DEZE HANDLEIDING VOOR LATER

# HOUTSKOOL GRILL VOOR BUITENSHUIS



NL



### WAARSCHUWING

*Probeer dit apparaat niet aan te steken zonder de "AANSTEKEN" sectie van deze handleiding te lezen.*



### GEVAAR

*Brandende houtskool geeft koolmonoxide af. Branden niet houtskool in woningen, garages, tenten, voertuigen, alle gesloten ruimten.*



**WAARSCHUWING!** Verzuiming van het nauwkeurig volgen van deze instructies kan resulteren in vuur dat letsel of dood kan veroorzaken.

Napoleon Appliance Corp.,  
214 Bayview Dr, Barrie, Ontario, Canada L4N 4Y8 Phone: 1-866-820-8686  
Fax: (705)725-2564 email: [wecare@napoleonproducts.com](mailto:wecare@napoleonproducts.com) web site: [www.napoleongrills.com](http://www.napoleongrills.com)



## BEDANKT VOOR HET KIEZEN VAN NAPOLEON

NAPOLEON producten zijn ontworpen met superieure onderdelen en materialen en zijn gemonteerd door goed opgeleide vaklieden die trots op hun werk zijn. Deze grill is grondig geïnspecteerd door een gekwalificeerde technicus voor het verpakken en verzenden, om ervoor te zorgen dat u, de klant, een kwaliteitsproduct ontvangt dat u verwacht van Napoleon.

Wij bij Napoleon zijn gewijd aan u, "onze gewaardeerde klant". Het is ons doel om u te voorzien van het nodige gereedschap voor een onvergetelijke grill ervaring. Deze handleiding is bijgesloten om u te helpen te verzekeren dat uw nieuwe grill juist gemonteerd, geïnstalleerd, onderhouden en verzorgd wordt. Het is belangrijk om deze hele handleiding te lezen en te begrijpen voordat u uw nieuwe grill gaat gebruiken en om ervoor te zorgen dat u volledig op de hoogte bent van alle veiligheidsvoorschriften en mogelijkheden van uw grill. Door het zorgvuldig opvolgen van deze instructies, zult u genieten van jaren probleemloos grillen. Als dit product niet aan uw verwachtingen voldoet, om welke reden dan ook, bel onze klantenservice afdeling op 1-866-820-8686 tussen 9 uur en 5 uur (GMT-5) of bezoek onze website op [www.napoleongrills.com](http://www.napoleongrills.com).

## NAPOLEON GRILL PRESIDENT BEPERKTE LEVENSLANGE GARANTIE

NAPOLEON garandeert de volgende materialen en afwerking in uw nieuwe NAPOLEON grill tegen defecten, zolang u de grill bezit. Dit omvat de porselein geëmailleerde basis, de porselein geëmailleerde deksels, handgrepen van de basis en deksel, mits aan de volgende voorwaarden is voldaan: Tijdens de eerste tien jaar zal NAPOLEON de vervangende onderdelen naar onze keuze gratis leveren. Vanaf het elfde jaar tot levenslang zal NAPOLEON vervangende onderdelen op 50% van de huidige verkoopprijs leveren.

Onderdelen zoals zijtafels, de poten en panelen zijn gedekt en Napoleon zal deze onderdelen gedurende de eerste vijf jaar van de beperkte garantie gratis leveren. Alle andere onderdelen, waaronder grills, houtskool rooster, luchtdeflector, aslade, temperatuurmeter, draadrooster, wielen, sluitingen en accessoires zijn gedekt en Napoleon zal deze onderdelen gratis leveren tijdens het eerste jaar van de beperkte garantie.

NAPOLEON zal niet aansprakelijk worden gesteld voor eventuele transportkosten, loonkosten of uitvoerrechten.

## VOORWAARDEN EN BEPERKINGEN

"Napoleon garandeert haar producten tegen fabricagefouten aan de oorspronkelijke koper, op voorwaarde dat de aankoop is gedaan bij een geautoriseerde NAPOLEON dealer en is onderworpen aan de volgende voorwaarden en beperkingen:"

Deze fabrieksgarantie is niet overdraagbaar en mag niet op enige manier worden verlengd door een van onze vertegenwoordigers.

De grill moet worden geïnstalleerd door een erkende, geautoriseerde reparateur of aannemer. Installatie dient te gebeuren in overeenstemming met de installatie-instructies die bij het product bijgesloten zijn en voldoen aan alle lokale en nationale bouwen brandvoorschriften.

Deze beperkte garantie dekt geen schade veroorzaakt door verkeerd gebruik, gebrek aan onderhoud, vetbranden, vijandige omgevingen, ongeval, modificaties, misbruik of verwaarlozing en onderdelen van andere fabrikanten die geïnstalleerd zijn zal deze garantie teniet te doen.

Deze beperkte garantie geeft verder geen dekking voor eventuele krassen, deuken, geschilderde afwerkingen, corrosie of verkleuring door warmte, schuur- en chemische reinigingsmiddelen, noch afbladderingen op geëmailleerde onderdelen, noch enige onderdelen die worden gebruikt bij de installatie van de grill.

Als verval van de onderdelen van die mate is dat de prestatie negatief beïnvloed wordt en binnen de looptijd van garantie, zal een vervangend onderdeel worden verstrekt.

Alleen in het eerste jaar, omvat deze garantie de vervanging van de toezegging van onderdelen, die beschadigd aangaande materiaal of vakmanschap, op voorwaarde dat het product is gebruikt in overeenstemming met de bedieningsinstructies en onder normale omstandigheden.

Na het eerste jaar, met betrekking tot deze President Limited Lifetime Warranty kan NAPOLEON, naar eigen goeddunken, zich kwijten van alle verplichtingen met betrekking tot deze garantie door de oorspronkelijk koper de volle prijs terug te betalen van een gedekt, maar defecte onderdeel of onderdelen.

NAPOLEON is niet verantwoordelijk voor de installatie, arbeid of andere kosten of uitgaven in verband met de herinstallatie van een gedekt onderdeel, en zulke kosten worden niet gedekt door deze garantie.

Niettegenstaande enige voorwaarde die als verantwoordelijkheid wordt genoemd in deze President Limited Lifetime Warranty Napoleon, zal onder deze garantie worden gedefinieerd zoals hierboven en het zal in ieder geval zich niet uit te breiden tot enige incidentele- gevolg -of indirecte schade.

Deze garantie beschrijft de verplichting en aansprakelijkheid van Napoleon met betrekking tot de Napoleon grill en alle andere expliciete of impliciete garanties met betrekking tot dit product, de onderdelen of accessoires zijn niet inbegrepen.

NAPOLEON veronderstelt niet, noch machtigt een derde partij niet, namens haar, alle andere verplichtingen op zich te nemen met betrekking tot de verkoop van dit product.

NAPOLEON zal niet verantwoordelijk zijn voor: te hoge vlammen en het uitgaan van de grill door natuurlijk omstandigheden zoals sterke wind of niet voldoende ventilatie.

Eventuele schade aan de grill te wijten aan het weer, hagel, ruwe hantering, schadelijke chemicaliën of reinigingsmiddelen is niet de verantwoordelijkheid van Napoleon.

De verkoopbon of een kopie ervan in combinatie met een serienummer en een modelnummer zullen vereist zijn bij het maken van iedere aanspraak op een garantie claim van Napoleon.

NAPOLEON behoudt zich het recht om een vertegenwoordiger elk product of onderdeel te laten inspecteren voor het honoreren van eventuele garantie claims.

NAPOLEON zal niet aansprakelijk worden gesteld voor eventuele transportkosten, loonkosten of uitvoerrechten.

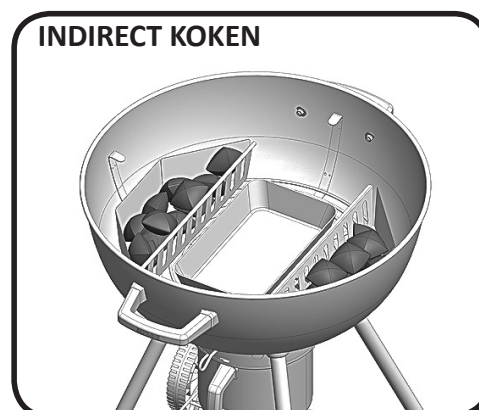
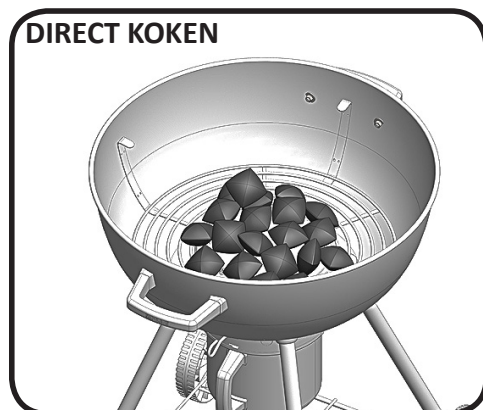


**WAARSCHUWING!** Indien deze aanwijzingen niet precies worden opgevolgd, kan dat brand- of explosiegevaar meebrengen en materiële schade, persoonlijk letsel of de dood veroorzaken.

## Veilige Werkwijzen

- Lees de volledige handleiding voordat u de grill gebruikt.
- Onder geen beding mag deze grill worden gemodificeerd.
- Volg de aansteek instructies zorgvuldig bij het gebruik van grill.
- Steek de houtskool niet aan wanneer de deksel gesloten is.
- Buig niet over grill bij het aansteken.
- Gebruik geen benzine, alcohol, of andere zeer vluchtige vloeistoffen om houtskool te ontsteken. Gebruik ALLEEN startvloeistof welke goedgekeurd is voor het aansteken van houtskool. Zorg ervoor dat voor het aansteken van de houtskool alle vloeistoffen die zijn afgevoerd via de onderkant van de grill zijn verwijderd.
- Startvloeistof voor houtskool mag nooit worden toegevoegd aan hete of zelfs warme kolen.
- Na gebruik en voor ontsteking, moet de fles met startvloeistof voor houtskool afgesloten worden en opgeslagen worden op een veilige afstand van de grill, op zijn minst 25ft (7,6 meter).
- Houd kinderen en huisdieren uit de buurt van een hete grill, Laat kinderen NIET in de kast klimmen.
- Laat de grill niet onbeheerd achter wanneer in gebruik.
- Verplaats de grill niet wanneer heet of in gebruik.
- Deze grill mag niet worden geïnstalleerd in of op recreatieve voertuigen en/of boten.
- Deze grill mag alleen buiten worden opgeslagen in een goed geventileerde ruimte en moet niet worden gebruikt binnen een gebouw, garage, op een veranda met gaas, gazebo of een gesloten ruimte.
- Handhaaf goede afstand tot brandbare stoffen, 5ft (1,5 m) aan alle kanten. Deze afstand is ook aanbevolen in de buurt van vinyl gevelbeplating of ruiten van glas. De grill mag niet worden gebruikt op brandbare oppervlakken (houten of composiet dekken of portieken).
- Hou de ventilatieopeningen van de behuizing vrij en vrij van materiaal.
- Gebruik het apparaat niet onder een brandbare constructie.
- Gebruik deze grill niet onder boven bedekkingen zoals dakbedekkingen, stallingen, zonneschermen of overhanging.
- Plaats niet in een winderig gebied. Hoge winden hebben een negatieve invloed op de kookprestaties van de grill.
- De deksel moet gesloten worden tijdens het voorverwarmen.
- De as/vetopvangbak moet op zijn plek zijn wanneer de grill gebruikt wordt.
- Reinig de as/vetopvangbak regelmatig om vetopbouw te voorkomen, wat kan leiden tot een vetbrand.
- Gebruik de zijplanken niet voor opslag van aanstekers, lucifers of andere brandbare stoffen.
- De grill moet te allen tijden op een vlakke ondergrond staan.
- Gebruik geen water om opflakkingen of kolen te blussen, daar dat de afwerking van uw grill kan beschadigen.
- Om opvlammingen te doven, sluit de openingen van uw grill een beetje. Om de kolen en het vuur uit te maken, sluit alle ventilatiegaten en de deksel volledig.
- Gebruik het juiste gereedschap voor grillen met lange, hittebestendige handgrepen.
- Gebruik barbecue handschoenen of pannenlappen om uw handen te beschermen tijdens het koken of het verzetten van de ventilatieopeningen.
- Verwijder de as van de grill niet totdat alle houtskool is volledig uitgebrand en volledig uitgeblust is. Geef ruim de tijd om af te koelen.
- Resterende kool en as moeten worden verwijderd van de grill en opgeslagen worden in een niet-brandbare metalen container. Zorg ervoor dat deze in de metalen container blijven voor 24 uur voordat het wordt verwijderd.
- Houd elektrische bedrading uit de buurt van water of hete oppervlakken.
- **Californië Propositie 65:** De verbranding van houtskool creëert bijproducten, waarvan sommige op een lijst staan als stoffen waarvan bekend is door de staat van Californië dat deze kanker of schade aan voortplantingsorganen kunnen veroorzaken. Bij het koken met houtskool, zorg altijd voor voldoende ventilatie naar het apparaat, om blootstelling aan dergelijke stoffen te minimaliseren.

## Instructies I.V.M. Aansteken



### Gebruik van houtskool

Grill Diameter	Methode van koken	Houtskool Aanbevolen
22" (56cm)	Direct koken	50
22" (56cm)	Indirect koken	25 per kant *(Voeg 8 per kant toe voor elk bijkomend uur van de kooktijd)

\*Houtskool aanbevelingen zijn bij benadering, bij langere kooktijden moet extra kool worden toegevoegd. Ook zullen bij koudere, winderige temperaturen extra houtskool nodig hebben om te koken op ideale temperaturen.



**WAARSCHUWING!** Open deksel.

**WAARSCHUWING!** Plaats de grill buitenshuis op een stevig, vlak, niet-brandbaar oppervlak. Gebruik de grill nooit op houten of andere oppervlakken die kunnen branden.

**WAARSCHUWING!** Buig niet over grill bij het aansteken van houtskool.

**WAARSCHUWING!** Aslade moet op zijn plaats zijn gedurende het aansteken en op elk moment tijdens het gebruik.

DIRECTE KOOKMETHODE	INDIRECTE KOOKMETHODE
1. Zet de ventilatieopening van de deksel en de basis volledig open. Verwijder de grilldeksel en verwijder het grillrooster	1. Zet de ventilatieopening van de deksel en de basis volledig open. Verwijder de grilldeksel en verwijder het grillrooster.
2. Zorg ervoor dat de aslade is schoongemaakt van het vorige gebruik en vervolgens deze opnieuw te installeren.	2. Zorg ervoor dat de aslade is schoongemaakt van het vorige gebruik en vervolgens deze opnieuw te installeren.
3. De grill kan zowel gebruikt worden met of zonder de luchtstroomrichter in het midden. De stroomrichter zal zorgen voor meer gelijke temperaturen en zal de snelheid van het branden in het centrum van de grill vertragen. Gebruik ofwel de Ultrachef Charcoal Starter (niet inbegrepen) volgens de instructies in de handleiding, of plaats aanmaakblokjes of een licht verkreukelde krant plaats op en rond de luchtstroomrichter. Plaats de houtskool in een kegelvormige stapel in het midden van het apparaat op de krant of aanmaakblokjes.	3. Verwijder het luchtstroomrichter in het midden en installeer een lekbak. Plaats de optionele houtskool manden (optioneel) aan weerszijden van de lekbak. Gebruik ofwel de Ultrachef Charcoal Starter (niet inbegrepen) volgens de instructies in de handleiding, of plaats aanmaakblokjes of een licht verkreukelde krant plaats op en rond de houtskool manden. Plaats de houtskool in de manden op de krant of aanmaakblokjes.
4. Steek de krant of aanmaakblokjes aan. Eenmaal volledig aangestoken, sluit de deksel en laat de houtskool te branden totdat het is bedekt met een licht grijze as (ongeveer 20 minuten).	4. Steek de krant of aanmaakblokjes aan. Eenmaal volledig aangestoken, sluit de deksel en laat de houtskool te branden totdat het is bedekt met een licht grijze as (ongeveer 20 minuten).
5. Met gebruik van een tang met lange hittebestendige handgrepen, verspreid de kolen gelijkmatig over het gehele rooster (met inbegrip van de luchtstroomrichter in het midden).	



Aanmaakvloeistof kan worden gebruikt om de houtskool aan te steken, maar het is niet de voorkeursmethode. Het kan rommelig zijn en een chemische smaak achterlaten op het voedsel wanneer het niet geheel van de grill afbrandt is voor gebruik. Eenmaal aangestoken, voeg nooit meer aanmaakvloeistof toe aan de grill. Bewaar de fles tenminste 25 ft (7,6 m) uit de buurt van de grill tijdens gebruik.

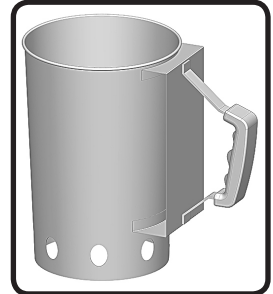


## ***Veilige gebruikshandelingen bij het aansteken van houtskool***

### **WAARSCHUWING!**

- Uitsluitend voor gebruik buitenshuis.
- Maak geen gebruik van de houtskool starter, tot het geplaatst kan worden op een stevig, vlak houtskoolrooster en de houtskool grill op een stevig, vlak, niet-brandbaar oppervlak is.
- Zet de houtskool starter niet op een brandbaar oppervlak, tenzij de houtskool starter volledig is afgekoeld.
- Maak geen gebruik maken van aanstekervloeistof, benzine of zelf ontbrandende houtskool in de houtskool starter.
- Maak alleen gebruik van de houtskool starter om houtskool aan te steken voor barbecues.
- Draag altijd beschermende handschoenen bij het hanteren van de houtskool starter.
- Houd kinderen en huisdieren te allen tijde uit de buurt van de houtskool starter.
- Geen gebruik maken van de houtskool starter bij hoge windsnelheden.
- Laat de houtskool starter niet onbeheerd achter wanneer in gebruik.
- Buig niet over de houtskool starter bij het aansteken van houtskool.
- Maak nooit gebruik van de houtskool starter voor een ander dan het beoogde gebruik. Geen gebruik van de houtskool starter om voedsel te bereiden.
- Wees uiterst voorzichtig bij het verwijderen van hete kolen uit de houtskool starter.

**HOUTSKOOL STARTER**



NL

## ***Gebruik van de houtskool starter***

- Draai de houtskool starter ondersteboven.
- Verkrop twee volle vellen krantenpapier en stop ze in de onderkant van de houtskool starter.
- Draai de houtskool starter met goede kant naar boven en plaats het in het midden van de houtskool rooster.
- Voeg een juiste hoeveelheid van de houtskool toe, maar niet meer dan nodig.
- Steek een lucifer af en steek deze in een van de onderste luchtgaten om de krant aan te steken.
- Wanneer de bovenste laag van houtskool een dun laagje grijze as heeft, draag beschermende handschoenen om zorgvuldig de hete houtskool op het houtskoolrooster (directe koken methode) of in de houtskool manden (indirecte methode) te plaatsen.
- Zodra de hete houtskool in de grill is geplaatst, verspreid de houtskool gelijkmatig met een tang met lange hittebestendige handgrepen.

# Houtskool kook gids

Houtskool is de traditionele manier van koken die we allemaal kennen. De gloeiende kooltjes stralen infrarode energie uit om het voedsel te koken, met een zeer weinig uitdrogend effect. Alle sappen en oliën die ontsnappen uit het voedsel druipt naar beneden op de houtskool en verdampt in rook waardoor het voedsel zijn heerlijke gegrilde smaak krijgt. Het komt er op uit dat de houtskoolgrill van Napoleon met verzengende hitte voor sappiger, lekkerder steaks, hamburgers en andere vleeswaren zorgt. Voor kooktijden en tips raadpleeg de houtskool grill grafiek.

De volgende grill grafiek is bedoeld slechts als een richtlijn. Kooktijden worden beïnvloed door factoren zoals hoogte, buitentemperatuur, wind, en de gewenste gaarheid, die zal worden weergegeven in uw kooktijd. Gebruik een vleesthermometer om zeker te maken dat het eten gaar is.

## Houtskool grill grafiek

Voedsel	Directe/Indirecte hitte	Kooktijd	Nuttige suggesties
Biefstuk 2.5 cm dik	Directe hitte	6-8 min.- Medium	Bij het selecteren van vlees voor grillen, vraag om gemarmerde vetverdeling. Het vet werkt als een natuurlijke tenderizer tijdens het koken en houdt het vochtig en sappig.
Hamburger 1.25 cm dik	Directe hitte	6-8 min.- Medium	Hamburgers op bestelling klaarmaken wordt makkelijker gemaakt door variatie in dikte van uw burgers. Om een exotische smaak aan je vlees te geven, probeer hickory houtsnippers toe te voegen op de houtskool.
Stukken kip	Directe warmte ca. 2 min. per zijde. Indirecte warmte voor de resterende 18-20 min.	20-25 minuten.	Het gewricht van het dijbeen en het been van de ontvelde kant moet tot 3/4 worden gesneden zodat meer van het vlees met de grill in contact komt. Dit helpt om het sneller en gelijkmatiger te koken. Om een speciale smaak aan uw eten toe te voegen, probeer dan Mesquite houtsnippers uit op de houtskool.
Karbonades	Directe hitte	10-15 min.	Snij het overtollige vet af alvorens te grillen. Kies dikkere karbonades voor malsere resultaten.
Spare ribs	Directe warmte gedurende 5 min. Indirecte warmte voor de afwerking	1,5-2 uur draai vaak	Kies ribben die mager en vlezig zijn Grill tot het vlees gemakkelijk van het bot komt.
Lamskoteletten	Directe hitte	25-30 min.	Snij het overtollige vet af alvorens te grillen. Kies extra dikke karbonades voor malsere resultaten.
Hotdogs	Directe hitte	4-6 min.	Selecteer de grotere hotdogs. Snijd de huid in de lengte voor het grillen.

# Kookinstructies

**Aansteken voor de eerste keer:** Wanneer de grill voor de eerste keer wordt aangestoken geeft deze een lichte geur af. Dit is een normaal tijdelijke staat die wordt veroorzaakt door het "inbranden" van de interne verven en smeermiddelen die worden gebruikt in het productieproces en zal zich niet herhalen. Laat de grill gewoon op hoog staan voor ongeveer 30 minuten met de deksel en de basis ventilatieopeningen volledig open.

**Gebruik van de grill:** Wij raden aan de grill voor te verwarmen door deze te gebruiken met gesloten deksel voor ongeveer 20 minuten. De houtskolen zijn klaar als ze een dun laagje grijze as hebben. Eten gekookt voor een korte periode van tijd (vis, groenten) kunnen worden gegrild met het deksel open. Koken met het deksel gesloten zorgt voor een hogere, meer gelijke temperaturen die kooktijden zullen verminderen en het eten meer gelijkmatig kookt. Bij het koken van zeer mager vlees, zoals kipfilet of mager varkensvlees, kunnen de roosters worden geolied voor het voorverwarmen om plakken te verminderen. Koken van vlees met een hoog vetgehalte kan leiden tot opvlammingen. Trim het vet of te verminder de temperaturen om dit tegen te gaan. Als een opvlamming plaats vindt, verplaats het eten en weg van de vlammen; verminder de hitte (sluit de ventilatieopening). Laat de deksel open.

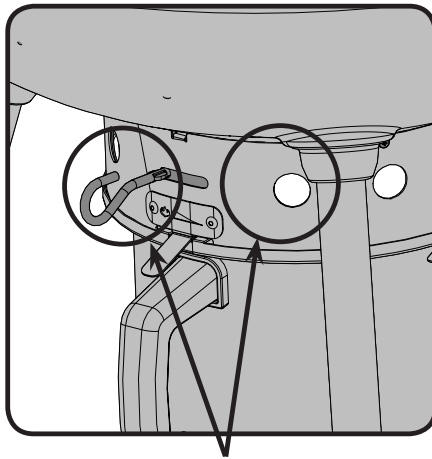
**Als algemene regel, reken op gebruik van ongeveer 50 briketten voor het koken van 2 pond (1kg) van vlees. Wanneer gekookt wordt voor meer dan 30 tot 40 minuten, moeten extra briketten worden toegevoegd aan het vuur. Als het weer is koud en winderig is, moet u meer briketten toevoegen om de ideale kooktemperaturen te bereiken.**

**Toevoegen van houtskool tijdens het koken:** Wees voorzichtig bij het toevoegen van houtskool op de grill. Vlammen kunnen oplaaien wanneer kolen in contact komen met frisse lucht. Neem een stap terug en op een veilige afstand gebruik een lange, hittebestendige tang om meer houtskoolbriketten toe te voegen. Er zijn kleppen aan weerszijden van het grillrooster dat toegang tot de houtskool rooster verleent.

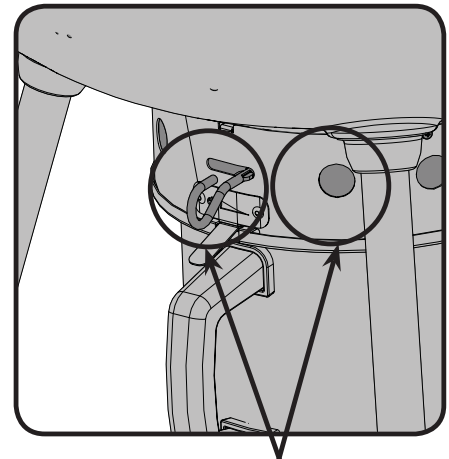


**WAARSCHUWING!** Startvloeistof voor houtskool mag nooit worden toegevoegd aan hete of warme kolen. Zodra de houtskool is ontstoken is er geen vloeistof meer nodig.

**Bedienen van de ventilatieopeningen:** Ventilatieopeningen van de deksel op een overdekte grill zijn meestal open gelaten om lucht in de grill toe te laten. Lucht verhoogt de brandtemperatuur van de kolen. U kunt de grill temperatuur reguleren door de schuif vent naar rechts of links te bewegen. Het gedeeltelijk of volledig sluiten van de openingen zal helpen om de kolen af te koelen. Sluit de ventilatieopeningen niet, tenzij u probeert om de grill af te koelen of voor een vlam te doven.



**Open Ventilatie Openingen**



**Sluiten Ventilatie Openingen**

## Veiligheid na het gebruik



**WAARSCHUWING!** Om uzelf en uw woning tegen schade te beschermen, volg deze veiligheidsmaatregelen nauwkeurig.

- Sluit de deksel van de grill en alle ventilatieopeningen om het vuur uit te maken.
- Laat de grill altijd volledig afkoelen voor hantering.
- Laat kolen en as in de grill nooit onbeheerd achter. Zorg ervoor dat kolen en as volledig zijn gedooft voor verwijdering.
- Gebruik een metalen spatel of schep om de resterende kolen en as van de grill te verwijderen. Plaats ze in een niet-brandbare metalen houder en laat ze volledig verzadigen met water. Laat in een container voor een extra 24 uur voor verwijdering.

# Onderhoud / Reinigings Instructies

Het is aanbevolen dat de asbak/druippan wordt geleegd na gebruik.



**WAARSCHUWING!** Zorg ervoor dat de grill koel is en alle kolen volledig zijn gedooft voor het verwijderen van een deel van uw grill.

**WAARSCHUWING!** Draag altijd beschermende handschoenen en een veiligheidsbril bij het schoonmaken van uw grill.

**WAARSCHUWING!** Gebruik geen hogedrukreiniger om een deel van de grill schoon te maken.

**WAARSCHUWING!** Om de mogelijkheid van brandwonden te voorkomen, moet het onderhoud alleen worden uitgevoerd wanneer de grill is afgekoeld. Vermijd onbeschermd contact met hete oppervlakken. Maak de grill schoon in een gebied waar reinigungsoplossingen niet schadelijk is voor een terras, gazon, of patio. Gebruik schoonmaakmiddelen voor ovens niet op enig onderdeel van deze grill. Maak geen gebruik van een zelfreinigende oven om grillroosters of andere onderdelen van de grill schoon te maken. Barbecuesaus en zout kunnen corrosief zijn en een snelle verslechtering van de grillonderdelen veroorzaken, tenzij de grillonderdelen regelmatig worden schoongemaakt.

**Roosters En Warmhoudrek:** De roosters en het warmhoudrek maakt u bij voorkeur schoon tijdens het voorverwarmen met behulp van een zachte koperen borstel. Voor hardnekkige vlekken mag u ook staalwol gebruiken.

**Reiniging van de binnenkant van de grill:** Verwijder de roosters. Gebruik een koperen draadborstel om los materiaal van de kom en de binnenkant van de deksel te geven. Schraap de binnenkant van de kom met een plamuurmes of schraper, en gebruik een draadborstel om as te verwijderen. Veeg al het materiaal van binnen de grill in de uitneembare as/lekbak. Indien gewenst, kunt u de binnenkant van de grill wassen met een mild reinigingsmiddel en water. Spoel goed af met schoon water en wrijf droog.



**WAARSCHUWING!** Geaccumuleerd vet vormt een brandgevaar. Reinig de lekbak na elk gebruik om vet afzetting te voorkomen.

**As/lekbak:** As, vet en overtollige braadvet gaat naar de as/lekbak, gelegen onder de houtskoolgrill, en accumuleert daar. Voor schoonmaak, schuif de pan vrij van de grill. Bekleed de pan nooit met aluminiumfolie, zand of ander materiaal, omdat dit goede doorstroom van het vet verhindert. De pan moet uit worden geschrapt met een plamuurmes of schraper, en alle puin moet geborsteld worden in een niet-brandbare metalen container. Was de as/lekbak met een mild wasmiddel en water. Spoel goed af met schoon water en wrijf droog.

**Reinigen Van De Buitenkant Van De Gasbarbecue:** Reinig geverfde, geëmailleerde of roestvrijstalen onderdelen niet met schurende schoonmaakmiddelen. Geëmailleerde onderdelen dienen extra voorzichtig te worden gehanteerd. De aangebakken geëmailleerde afwerking lijkt op glas en schilfert wanneer men erop slaat. Om het email te retoucheren kunt u contact opnemen met uw handelaar van Napoleon-gasbarbecues. De buitenkant van de barbecue moet met lauw zeepwater worden schoongemaakt wanneer hij nog warm aanvoelt. Reinig de roestvrijstalen oppervlakken met een schoonmaakmiddel voor roestvrij staal of met een niet-schurend product. Veeg altijd schoon met de draad mee. Staalwol maakt krassen in de afwerking en mag niet worden gebruikt. Roestvrijstalen onderdelen verkleuren (ze worden goudkleurig of bruin) wanneer ze worden opgewarmd. Dat is normaal en beïnvloedt de werking van de barbecue niet.



## Oplossing van probleem

Probleem	Mogelijke oorzaken	Oplossing
Lage hitte/laag vuur.	<p>Onjuiste voorverwarming.</p> <p>Niet genoeg luchtstroom.</p> <p>Weinig houtskool.</p> <p>De deksel wordt te vaak geopend.</p>	<p>Laat houtskool branden totdat het bedekt is met een licht grijze as. (Meestal 20-25min).</p> <p>Open ventilatie openingen.</p> <p>Voeg meer houtskool toe aan de houtskool lade.</p> <p>Laat voedsel koken met de deksel dicht. Elke keer als de deksel wordt geopend, daalt de temperatuur. Dit leidt tot lagere temperaturen en langere kooktijden.</p>
Overmatige opvlammingsen/ ongelijke hitte.	<p>Onjuiste voorverwarming.</p> <p>Te veel vet en as opgebouwd in de as/lekbak.</p>	<p>Verwarm de grill met gesloten deksel voor 20 - 25 minuten en de verspreid de kolen gelijkmatig.</p> <p>Maak de as/lekbak regelmatig schoon. Bekleed de pan niet met aluminiumfolie. Raadpleeg de reinigingsvoorschriften.</p>
“Verf” lijkt af te bladderen van de binnenkant van de deksel of kap.	Opeenhoping van vet op oppervlaktes van de binnenkant.	Dit is geen defect. De finish van de deksel is porselein, en zal niet afbladderen. Het afbladderen wordt veroorzaakt door gehard vet, dat droogt in verfachtige scherven die afschilferen. Regelmatig schoonmaken voorkomt dit. Zie reinigingsvoorschriften.

# Houtskool grillen in herhaling

## ***Aansteken van uw grill***

- Vóór het koken voor de eerste keer, raden we aan de grill te laten branden op hoog voor 30 minuten met de ventilatie openingen van de deksel en de basis volledig open. Dit zal alle smeermiddelen verbranden die worden gebruikt in het productieproces.
- Open de ventilatie opening van de deksel en de basis volledig iedere keer dat u uw grill aansteekt.
- Zorg ervoor dat de aslade is schoongemaakt van het eerder gebruik en vervolgens installeer de aslade opnieuw.
- De grill kan zowel gebruikt worden met of zonder de luchtstroomrichter in het midden. De stroomrichter zal zorgen voor meer gelijke temperaturen en zal de snelheid van het branden in het centrum van de grill vertragen.
- Gebruik ofwel de Ultrachef Charcoal Starter (niet inbegrepen) volgens de instructies in de handleiding, of plaats aanmaakblokjes of een licht verkreukelde krant plaats op en rond de luchtstroomrichter. Plaats de kool in een kegelvormige stapel in het midden van het apparaat (directe kookmethode) of de optionele houtskool manden (indirecte methode).
- Eenmaal volledig aangestoken, sluit de deksel en laat de houtskool branden totdat het is bedekt met licht grijze as (ongeveer 20 minuten), schik de houtskool met een tang met hittebestendige handvaten volgens de kookmethode u gaat gebruiken.
- Aanmaakvloeistof kan worden gebruikt om de houtskool aan te steken, maar het is niet de voorkeursmethode. Het kan rommelig zijn en er kan een chemische smaak op het voedsel achterlaten als niet het volledig verbrand voordat het eten gekookt wordt. Eenmaal aangestoken, voeg nooit meer aanmaakvloeistof toe aan de grill. Bewaar de fles tenminste 25 ft (7,6 m) uit de buurt van de grill tijdens gebruik.
- Extra rook smaak kan worden bereikt door het toevoegen van roker chips die beschikbaar zijn in een verscheidenheid van aroma's via uw Napoleon dealer.

## ***Koken met uw grill***

- Wij raden aan om de grill voor te verwarmen door deze aan te hebben met gesloten deksel voor ongeveer 20 minuten. De houtskolen zijn klaar als ze een dun laagje grijze as hebben.
- Als algemene regel, reken voor gebruik van ongeveer 50 briketten voor het koken van 2 pond (1kg) van vlees. Wanneer gekookt wordt voor meer dan 30 tot 40 minuten, moeten extra briketten worden toegevoegd aan het vuur. Als het weer is koud en winderig is, moet u meer briketten toevoegen om de ideale kooktemperaturen te bereiken.
- Wees voorzichtig bij het toevoegen van houtskool op de grill. Vlammen kunnen oplaaien wanneer kolen in contact komen met frisse lucht. Neem een stap terug en op een veilige afstand gebruik een lange, hittebestendige tang om meer houtskoolbriketten toe te voegen.
- Ventilatieopeningen van de deksel op een overdekte grill zijn meestal open gelaten om lucht in de grill toe te laten. Lucht verhoogt de brandtemperatuur van de kolen. U kunt de grill temperatuur reguleren door de schuif vent naar rechts of links te bewegen.
- Laat voedsel koken met de deksel dicht. Elke keer als de deksel wordt geopend, daalt de temperatuur. Dit leidt tot lagere temperaturen en langere kooktijden.
- Het gedeeltelijk of volledig sluiten van de openingen zal helpen om de kolen af te koelen. Sluit de ventilatieopeningen niet, tenzij u probeert om de grill af te koelen of voor een vlam te doven.
- Het grillrooster kan worden geolied voor voorverwarming om plakken te verminderen.
- Gebruik een vleesthermometer om zeker te maken dat het eten gaar is.

## ***Schoonmaak van de grill***

- Sluit de deksel van de grill en alle ventilatieopeningen om het vuur uit te maken.
- Laat de grill altijd volledig afkoelen voor hantering.
- Laat kolen en as in de grill nooit onbeheerd achter. Zorg ervoor dat kolen en as volledig zijn gedooft voor verwijdering.
- Gebruik een metalen spatel of schep om de resterende kolen en as van de grill te verwijderen. Plaats ze in een niet-brandbare metalen houder en laat ze volledig verzadigen met water. Laat in een container voor een extra 24 uur voor verwijdering.
- Gebruik een borstel met koperen draad om los materiaal te verwijderen van de kom en de binnenkant van het deksel.
- Indien gewenst, kunt u de binnenkant van de grill wassen met een mild reinigingsmiddel en water. Spoel goed af met schoon water en wrijf droog.
- Geëmailleerde onderdelen moeten worden behandeld met extra zorg. De opgebakken emaille finish is glasachtig, en zal, indien geslagen schilferen. Touch-up glazuur is verkrijgbaar bij uw Napoleon Grill dealer.

**HOUD UW BON ALS BEWIJS VAN AANKOOP VOOR DE GELDIGHEID VAN UW GARANTIE**

## Bestellen Van Reserveonderdelen

### GARANTIE-INFORMATIE

MODEL: \_\_\_\_\_

AANKOOPDATUM: \_\_\_\_\_

SERIENUMMER: \_\_\_\_\_

### ***(schrijf hier uw gegevens voor gemakkelijke referentie)***

Voordat u contact opneemt met de klantenservice, controleer de NAC website voor uitgebreidere reiniging, onderhoud, het oplossen van problemen en de instructies voor het vervangen van onderdelen op [www.napoleongrills.com](http://www.napoleongrills.com). Neem direct contact op met de fabriek voor vervangende onderdelen of schadeclaims. De klantenservice is bereikbaar tussen 9 AM en 5 PM (Eastern Standard Time) op 1-866-820-8686 of fax op 1-705-727-4282. Voor het afhandelen van een schadeclaim, hebben wij de volgende gegevens nodig:

1. Model en serienummer van het apparaat.
2. Onderdeelnummer en beschrijving.
3. Een korte duidelijke omschrijving van het probleem ('gebroken' is niet voldoende).
4. Bewijs van aankoop (kopie van de factuur).

In enkele gevallen kan de vertegenwoordiger van de klantenservice verzoeken de onderdelen naar de fabriek terug te sturen voor onderzoek, voordat vervangende onderdelen worden geleverd. De onderdelen dienen vooruitbetaald verscheept te worden ter attentie van de klantenservice met de volgende gegevens:

1. Model en serienummer van het apparaat.
2. Een korte duidelijke omschrijving van het probleem ('gebroken' is niet voldoende).
3. Bewijs van aankoop (kopie van de factuur).
4. Retour autorisatienummer – verstrekt door de vertegenwoordiger van de klantenservice.

Let u er op, voordat u contact opneemt met de klantenservice, dat de volgende zaken niet door de garantie worden gedekt:

- transportkosten, provisie of exportbelastingen
- arbeidsloon voor het de- en herinstalleren
- kosten voor servicegesprekken om de problemen vast te stellen
- ontkleuring van roestvrijstalen onderdelen
- mankementen aan onderdelen door gebrek aan reiniging en onderhoud, of het gebruik van onjuiste reinigingsmiddelen (ovenreiniger).

NL



**Fax naar: 705 727 4282**

## Bestelformulier voor Accessoires en Onderdelen

A.u.b. schrijf in blokletters

NL

**Naam:** \_\_\_\_\_

**Verstuur naar :** \_\_\_\_\_

\_\_\_\_\_

\_\_\_\_\_

**Tel :** \_\_\_\_\_

**Fax :** \_\_\_\_\_

**Email:** \_\_\_\_\_

**Visa of Mastercard Nummer:** \_\_\_\_\_ **Vervaldatum:** \_\_\_\_\_

**Handtekening:** \_\_\_\_\_

Aantal	Onderdeelnummer	Omschrijving

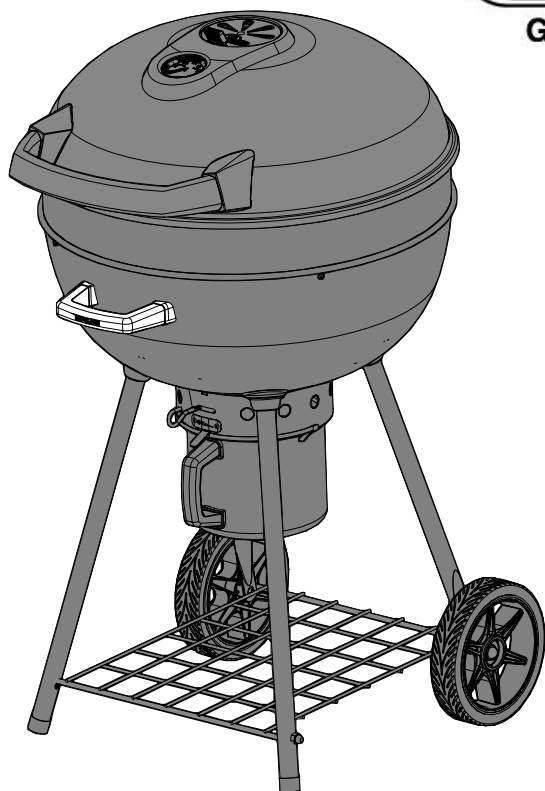
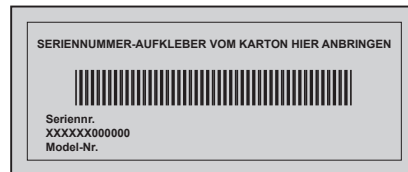
Belasting kan worden toegepast  
Mogelijk extra vervoerskosten

**HINWEISE ZUR VERWENDUNG UND WARTUNG UND PFLEGE**

DIESEN GRILL NUR IM FREIEN AN EINEM GUT BELÜFTETEN ORT VERWENDEN

BEWAHREN SIE DIESES HANDBUCH ZUR WEITEREN REFERENZ AUF

# HOLZKOHLENGRILL FÜR DEN AUSSENGEBRAUCH



**PRO22K-LEG**

DE



**ACHTUNG**

*Den Grill erst anzünden, nachdem Sie den Abschnitt „Anleitung für das Anzünden“ in diesem Handbuch gelesen haben.*



**GEFAHR**

*Verbrennen von Kohle abgibt Kohlenmonoxid. Nicht verbrennen Kohle in Wohnungen, Garagen, Zelten, Fahrzeugen oder geschlossenen Räumen.*



**WARNUNG!** Nichtbefolgung dieser Anweisungen kann zu Bränden mit schweren Verletzungen oder Tod führen.

Napoleon Appliance Corp.,

214 Bayview Dr., Barrie, Ontario, Canada L4N 4Y8 Phone: 1-866-820-8686

Fax: (705)725-2564 email: [wecare@napoleonproducts.com](mailto:wecare@napoleonproducts.com) web site: [www.napoleongrills.com](http://www.napoleongrills.com)

## VIELEN DANK, DASS SIE SICH FÜR NAPOLEON ENTSCIEDEN HABEN

NAPOLEON-Produkte werden ausschließlich mit Komponenten und Materialien von höchster Qualität hergestellt, die von unseren geschulten und qualitätsorientierten Technikern montiert werden. Dieser Grill wurde vor Verpackung und Auslieferung gründlich von unserem geschulten Personal geprüft, um sicherzustellen, dass unsere Kunden die hohe Qualität erhalten, die sie von allen Napoleon-Produkten erwarten können.

Das höchste Ziel aller Napoleon-Mitarbeiter ist höchste Kundenzufriedenheit und wir möchten Ihnen die notwendigen Werkzeuge zur Verfügung stellen, um ein unvergessliches Grillerlebnis zu erzielen. In diesem Handbuch finden Sie die nötigen Anweisungen für die sichere und ordnungsgemäße Montage, Installation, Wartung und Pflege Ihres Grills. Lesen Sie diese Bedienungsanleitung vollständig durch und machen Sie sich mit allen Sicherheitshinweisen und den Gerätefunktionen vertraut, bevor Sie Ihren neuen Grill in Betrieb nehmen. Bei genauer Befolgung dieser Anweisungen werden Sie Ihren Grill über viele Jahre genießen können. Falls Sie aus irgendeinem Grund nicht mit unserem Produkt zufrieden sein sollten, wenden Sie sich bitte an unseren Kundendienst unter der Telefonnummer +1-866-820-8686 zwischen 9 Uhr und 17.00 Uhr Eastern Standard Time oder besuchen Sie unsere Website [www.napoleongrills.com](http://www.napoleongrills.com).



## BESCHRÄNKTE PRESIDENT-GARANTIE AUF LEBENSZEIT VON NAPOLEON

NAPOLEON garantiert dem Erstkäufer dieses NAPOLEON-Grills, dass der Grill für die gesamte Lebenszeit frei von Material- und Verarbeitungsmängeln ist, solange der Grill sich in seinem Besitz befindet. Diese Garantie umfasst den Grillaufsatz mit Porzellan-Email-Beschichtung, Grillhauben mit Porzellan-Email-Beschichtung, Aufsatz- und Haubengriffe unter den folgenden Bedingungen: In den ersten zehn Jahren ab Kaufdatum werden alle Ersatzteile (nach Ihrer Wahl) von NAPOLEON kostenlos ersetzt. Ab dem elften Jahr ab Kaufdatum ersetzt NAPOLEON defekte Teile gegen Zahlung von 50 % des aktuellen Verkaufspreises.

Diese beschränkte Garantie gilt für Bauteile und Komponenten wie Seitenablagen, Wagenbeine und Wagenpaneele und beinhaltet den kostenlosen Ersatz defekter Teile durch NAPOLEON in den ersten fünf Jahren ab Kaufdatum.

Diese beschränkte Garantie gilt für Bauteile oder Komponenten wie Grillroste, Holzkohlenroste, Luftabweiser, Aschebehälter, Thermometer, Gitterregale, Räder, Befestigungselemente und Zubehör und beinhaltet den kostenlosen Ersatz defekter Teile durch NAPOLEON im ersten Jahr ab Kaufdatum.

Transportkosten, Arbeitskosten oder Exportzölle werden von NAPOLEON nicht erstattet.

## BEDINGUNGEN UND EINSCHRÄNKUNGEN

„Die Garantie von NAPOLEON für Materialfehler ist auf den Erstkäufer beschränkt – vorausgesetzt, dass der Kauf über einen autorisierten NAPOLEON-Händler getätigt wurde – und unterliegt den folgenden Bedingungen und Einschränkungen.“

Diese Werksgarantie ist nicht übertragbar und kann durch keinen unserer Vertreter erweitert oder verlängert werden.

Der Grill muss von einem lizenzierten, autorisierten Kundendiensttechniker oder Handwerker installiert werden. Die Installation muss unter Beachtung der folgenden Installationsanweisungen und aller lokalen und nationalen Bau- und feuerpolizeilichen Vorschriften erfolgen.

Diese eingeschränkte Garantie gilt nicht für Schäden durch missbräuchliche Verwendung, mangelnde Wartung, Fettbrände, aggressive Atmosphäre, Unfälle, Modifikationen, Fehlgebrauch oder Vernachlässigung, und die Installation von Teilen anderer Hersteller führt zum Erlöschen dieser Garantie.

Weiterhin gilt diese beschränkte Garantie nicht für Kratzer, Dellen, lackierte Oberflächen, Korrosion oder Verfärbungen durch Wärmeeinwirkung, scheuernde oder chemische Reiniger, abgeplatzte Porzellan-Email-Oberflächen oder Komponenten, die bei der Installation des Grills verwendet wurden. Teile, die innerhalb der Garantiezeit durch Korrosion oder Verschleiß unbrauchbar werden, werden von NAPOLEON ausgetauscht.

Im ersten Jahr ab Kaufdatum erstreckt sich diese Garantie auch auf den Ersatz von Garantieteilen, die Material- oder Herstellungsmängel aufweisen, solange das Produkt gemäß den Betriebsanweisungen und unter normalen Bedingungen verwendet wird.

Nach Ablauf des ersten Jahres ab Kaufdatum behält sich NAPOLEON unter der beschränkten President-Garantie auf Lebenszeit das Recht vor, sich von allen aus dieser Garantie entstehenden Verpflichtungen zu entbinden und dem Erstkäufer den Großhandelspreis des defekten Garantieteils zurückzuerstatten.

NAPOLEON ist nicht verantwortlich für Installationskosten, Arbeitskosten oder andere Kosten oder Ausgaben, die aus der erneuten Installation von Garantieteilen entstehen und solche Kosten oder Ausgaben sind von dieser Garantie nicht gedeckt.

Unbeschadet jeglicher Bestimmungen dieser beschränkten President-Garantie auf Lebenszeit ist die Haftung von NAPOLEON beschränkt auf die oben festgelegten Bestimmungen und NAPOLEON leistet in keinem Fall Schadensersatz für beiläufig entstandenen Schäden, Folgeschäden oder indirekte Schäden.

Diese Garantie definiert die Pflichten und Haftung von NAPOLEON im Zusammenhang mit dem NAPOLEON-Grill und NAPOLEON lehnt alle anderen Garantieansprüche, ob ausdrücklich oder konkludent, in Bezug auf dieses Produkt, seine Komponenten oder Zubehörteile, ab.

NAPOLEON übernimmt keine anderen Verpflichtungen aus dem Verkauf dieses Produkts und autorisiert keine andere Partei, solche anderen Verpflichtungen für NAPOLEON zu übernehmen.

NAPOLEON ist nicht verantwortlich für: Überfeuern, Erlöschen der Brennerflamme durch Umwelteinwirkung wie starke Winde oder unzureichende Be- und/oder Entlüftung.

NAPOLEON ist nicht für Schäden durch Witterungseinwirkung, Hagel, groben Umgang mit dem Gerät, aggressive Chemikalien oder Reinigungsmittel verantwortlich.

Für die Geltendmachung eines Garantieanspruchs bei NAPOLEON sind die Vorlage der Kaufquittung im Original oder in Kopie sowie die Angabe der Serien- und Modellnummer erforderlich.

NAPOLEON behält sich das Recht vor, jedes Produkt oder Bauteil vor Anerkennung eines Garantieanspruchs von einem seiner Handelsbeauftragten besichtigen zu lassen.

Transportkosten, Arbeitskosten oder Exportzölle werden von NAPOLEON nicht erstattet.

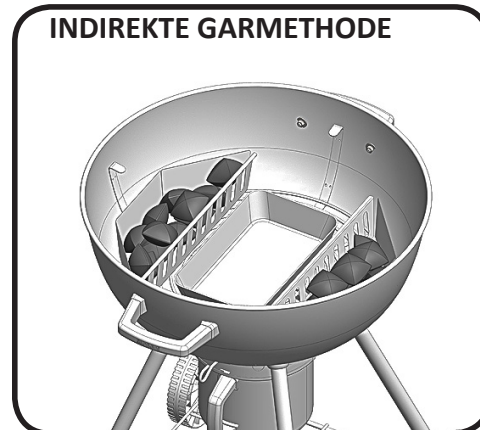


**ACHTUNG!** Ein Nichtbefolgen dieser Anleitung kann durch Brände oder Explosionen zu Sachschäden und Körperverletzungen, auch zu tödlichen, führen.

## Warn- und Sicherheitshinweise

- Lesen Sie dieses Handbuch vollständig durch, bevor Sie den Grill in Betrieb nehmen.
- Dieser Grill darf unter keinen Umständen baulich verändert oder modifiziert werden.
- Folgen Sie beim Betrieb des Grills sorgfältig allen Anweisungen für das Anzünden.
- Brenner niemals bei geschlossener Grillhaube zünden.
- Lehnen Sie sich beim Anzünden der Holzkohle nicht über den Grill.
- Die Verwendung von Benzin, Alkohol oder anderen hochentzündlichen Flüssigkeiten zum Anzünden von Holzkohle ist nicht gestattet. Verwenden Sie AUSSCHLIESSLICH flüssigen Grillanzünder der für das Anzünden von Holzkohle vorgesehen ist. Sicherstellen, dass jegliche Flüssigkeit oder flüssiger Grillanzünder, die sich im Grillboden angesammelt haben, vor dem Anzünden der Holzkohle entfernt / abgelassen wird.
- Flüssiger Grillanzünder darf nicht auf heißen oder warmen Kohlen verwendet werden.
- Den Behälter nach Verwendung verschließen und während des Anzündens und Betriebs mindestens 7,6 m vom Grill entfernt aufbewahren.
- Kinder und Haustiere vom heißen Grill fernhalten, Kinder NICHT in den Unterschrank klettern lassen.
- Den Grill niemals unbeaufsichtigt lassen, wenn er in Betrieb ist.
- Den Grill nicht bewegen, solange er heiß oder in Betrieb ist.
- Dieser Grill ist nicht zum Einbau in Wohnwagen/Wohnmobilen und/oder Booten vorgesehen.
- Den Grill nur im Freien an einem gut belüfteten Ort lagern. Niemals in einem Gebäude, einer Garage, einem Wintergarten, Gartenpavillon oder anderen geschlossenen Bereichen/Räumen benutzen.
- Ausreichenden Abstand zu brennbaren Materialien einhalten (1,5 m an allen Seiten). Zusätzlicher Abstand ist empfehlenswert, wenn das Gerät in der Nähe von Vinyl-Verkleidungen oder großen Fensterscheiben aufgestellt wird. Den Grill nicht auf einem brennbaren Untergrund (Balkone oder Terrassen aus Holz und/oder anderen brennbaren Baumaterialien) verwenden.
- Stellen Sie sicher, dass die Lüftungslöcher des Zylinders stets frei von Schmutz und Ablagerungen sind.
- Gerät niemals unter einer ungeschützten brennbaren baulichen Struktur betreiben.
- Den Grill nicht unter baulichen Strukturen, z. B. Dächer, überdachte Stellplätze, Markisen oder Dachvorsprüngen, aufstellen oder betreiben.
- Gerät nur an einem windgeschützten Ort aufstellen. Die Kochleistung des Grills wird durch starke Windeinwirkung beeinträchtigt.
- Grillhaube während der Vorwärmzeit geschlossen halten.
- Während des Grillbetriebs muss der Asche-/Fett-Auffangbehälter eingesetzt sein.
- Asche- und Fett-Auffangbehälter regelmäßig reinigen, um Fettansammlungen zu vermeiden, die zu Fettbränden führen können.
- Die Seitenablagen nicht für die Aufbewahrung von Feuerzeugen, Streichhölzern oder anderen brennbaren Materialien verwenden.
- Der Grill sollte stets auf einem ebenen Untergrund aufgestellt oder gelagert werden.
- Zum Löschen von Flammen oder brennenden Kohlen niemals Wasser verwenden, da dies die Beschichtung (Finish) des Grills beschädigen kann.
- Flammen/Aufflammen können durch leichtes Schließen der Lüftungsschlitze am Grill kontrolliert werden. Zum vollständigen Löschen von brennender Kohle/Feuer, alle Lüftungsschlitze und Haube vollständig schließen.
- Geeignete langstielige, nicht brennbare Utensilien (z. B. Grillzange) verwenden.
- Beim Grillen oder Regulieren der Lüftungsschlitze stets Grillhandschuhe oder hitze- und feuerbeständige Topflappen verwenden.
- Asche erst entfernen, wenn die Holzkohle vollständig abgebrannt und ausgekühlt ist. Den Grill lange Zeit abkühlen lassen.
- Verbliebene Kohle und Asche aus dem Grill entfernen und in einem nicht brennbaren Metallbehälter lagern. Den Behälter mindestens 24 Stunden stehen lassen, bevor Kohle und Asche im Müll entsorgt werden.
- Elektrische Kabel von Wasser oder heißen Oberflächen fernhalten.
- Auszug aus einem dem Gesetzentwurf „California Proposition 65“: Bei der Verbrennung von Holzkohle entstehen Nebenprodukte, von denen sich einige auf einer vom US-Bundesstaat Kalifornien herausgegebenen Liste von krebserzeugenden oder erbgutverändernden oder reproduktionstoxischen Substanzen befinden. Beim Kochen mit Holzkohle stets für ausreichende Be- und Entlüftung des Geräts sorgen, um den Kontakt mit diesen Substanzen zu minimieren.

# Zündanleitung



## Holzkohlenverwendung

Grilldurchmesser	Garmethode	Holzkohle empfohlen
56cm	Direktes Garen	50
56cm	Indirektes Garen	25 pro Seite *(für jede zusätzliche Stunde Kochzeit 8 pro Seite hinzufügen)

\*Empfehlungen für Holzkohle sind nur Anhaltspunkte, längere Kochzeiten erfordern das Nachlegen von zusätzlicher Holzkohle. Bei kaltem oder windigem Wetter ist mehr Holzkohle erforderlich, um optimale Kochtemperaturen zu erreichen.



**WARNUNG!** Haube ist offen.

**WARNUNG!** Den Grill im Freien auf einem festen, ebenen, nicht brennbaren Untergrund aufstellen. Den Grill niemals auf einem Untergrund aus Holz oder anderen brennbaren Materialien verwenden.

**WARNUNG!** Beim Anzünden der Holzkohle nicht über den Grill lehnen.

**WARNUNG!** Der Aschenbehälter muss während des Anzündens und Betriebs des Grills eingesetzt sein.

DIREKTE GARMETHODE	INDIREKTE GARMETHODE
1. Die Lüftungsschlitze in Haube und Grill vollständig öffnen. Grillhaube abnehmen und den Grillrost entfernen.	1. Die Lüftungsschlitze in Haube und Grill vollständig öffnen. Grillhaube abnehmen und den Grillrost entfernen.
2. Sicherstellen, dass der Aschenbehälter leer ist und den sauberen Aschenbehälter wieder einsetzen.	2. Sicherstellen, dass der Aschenbehälter leer ist und den sauberen Aschenbehälter wieder einsetzen.
3. Der Grill kann mit oder ohne den mittleren Luftabweiser verwendet werden. Der Luftabweiser sorgt für gleichmäßigere Temperaturen und reduziert die Brennrate in der Grillmitte. Zum Anzünden entweder den Ultrachef Holzkohlengrillstarter (nicht enthalten) gemäß Gebrauchsanweisung verwenden oder festen Grillanzünder oder leicht zerknülltes Zeitungspapier auf und um den Luftabweiser herum anordnen. Die Holzkohle in der Grillmitte auf dem Zeitungspapier oder festen Grillstarter kegelförmig anhäufeln.	3. Den mittleren Luftabweiser entfernen und eine Auffangschale einsetzen. Die optionalen Holzkohlenwannen (nach Wunsch) an beiden Seiten der Auffangschale platzieren. Zum Anzünden entweder den Ultrachef Holzkohlengrillstarter (nicht enthalten) gemäß Gebrauchsanweisung verwenden oder festen Grillanzünder oder leicht zerknülltes Zeitungspapier in den Holzkohlenwannen einlegen. Die Holzkohle in die Wannen über das Zeitungspapier oder festen Grillanzünder schütten.
4. Zeitungspapier oder festen Grillanzünder anzünden. Wenn der Grillanzünder vollständig angezündet ist, Haube schließen und die Holzkohle brennen lassen, bis sie von einer hellgrauen Ascheschicht bedeckt ist (ca. 20 Minuten).	4. Zeitungspapier oder festen Grillanzünder anzünden. Wenn der Grillanzünder vollständig angezündet ist, Haube schließen und die Holzkohle brennen lassen, bis sie von einer hellgrauen Ascheschicht bedeckt ist (ca. 20 Minuten).
5. Die Holzkohle gleichmäßig auf dem gesamten Grillrost ausbreiten (einschließlich Luftabweiser). Verwenden Sie hierzu eine Grillzange mit langen, hitzebeständigen Griffen.	





Sie können flüssigen Grillanzünder verwenden, aber dies ist nicht die empfohlene Methode zum Anzünden von Holzkohle. Flüssiger Grillanzünder kann schwierig in der Handhabung sein und kann zu einem chemischen Geschmack des Grillguts führen, wenn er vor der Speisenzubereitung nicht vollständig abgebrannt wird. Nach dem Anzünden niemals zusätzlichen flüssigen Grillanzünder auf den Grill gießen. Den Behälter mindestens 7,6 m vom Grill entfernt aufbewahren, wenn der Grill in Betrieb ist.

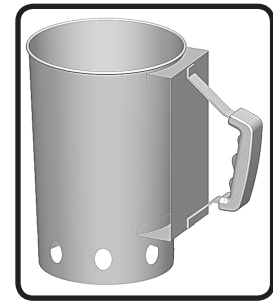


## **Warn- und Sicherheitshinweise für den Holzkohlengrillstarter**

### **WARNUNG!**

- Nur für den Gebrauch im Freien.
- Den Holzkohlengrillstarter nur auf einem festen, ebenen Grillrost verwenden und sicherstellen, dass der Grill auf einem festen, ebenen, nicht brennbaren Untergrund steht.
- Den Holzkohlengrillstarter nicht auf einem brennbaren Untergrund platzieren, bevor er nicht vollständig abgekühlt ist.
- Den Holzkohlengrillstarter nicht mit flüssigem Grillanzünder, Benzin oder selbstzündender Holzkohle verwenden.
- Den Holzkohlengrillstarter nur zum Anzünden von Holzkohle für Holzkohlengrills verwenden.
- Beim Umgang mit Holzkohlengrillstarter stets Schutzhandschuhe tragen.
- Kinder und Haustiere stets vom Holzkohlengrillstarter fernhalten.
- Den Holzkohlengrillstarter nicht bei starkem Wind verwenden.
- Den Holzkohlengrillstarter niemals unbeaufsichtigt lassen, wenn er in Betrieb ist.
- Lehnen Sie sich beim Anzünden nicht über den Holzkohlengrillstarter.
- Den Holzkohlengrillstarter nur für den vorgesehenen Zweck verwenden. Den Holzkohlengrillstarter nicht zur Speisenzubereitung verwenden.
- Gehen Sie äußerst vorsichtig vor, wenn Sie heiße Kohlen aus dem Holzkohlengrillstarter ausschütten.

**HOLZKOHLENGRILLSTARTER**



DE

## **Verwenden des Holzkohlengrillstarters**

- Den Holzkohlengrillstarter auf den Kopf stellen.
- Zwei ganze Seiten Zeitungspapier zerknüllen und in den Boden des Holzkohlengrillstarters stopfen.
- Den Holzkohlengrillstarter aufrecht stellen und in der Mitte des Holzkohlengrillrosts platzieren.
- Ausreichend Holzkohle einlegen aber nicht überfüllen.
- Streichholz anzünden und in einen der unteren Lüftungsschlitze einführen, um das Zeitungspapier zu entzünden.
- Wenn die oberste Holzkohlenschicht leicht mit grauer Asche überzogen ist, Grillhandschuhe anziehen und vorsichtig die heiße Holzkohle auf den Holzkohlenrost (direkte Garmethode) oder in die Holzkohlenwannen (indirekte Garmethode) schütten.
- Die Holzkohle nach dem Auflegen gleichmäßig auf dem Grill verteilen. Hierzu eine Grillzange mit langen, hitzebeständigen Griffen verwenden.

# Anweisungen zum Garen mit Holzkohle

Holzkohle ist die traditionelle Art des Garens, mit der wir alle vertraut sind. Die glühenden Briketts geben Infrarotenergie an das Grillgut ab, das Grillgut wird hierbei kaum ausgetrocknet. Austretende Fleischsäfte oder Öle tropfen auf die Holzkohle und werden zu dem Rauch verdampft, der Grillgerichten den typischen, köstlichen Grillgeschmack verleiht. Zusammenfassend lässt sich sagen, dass die Holzkohlengrills von Napoleon extrem hohe Temperaturen erzeugen und perfekt sind für die Zubereitung von saftigen Steaks, Hamburgern und anderen Fleischsorten. Kochzeiten und Zubereitungstipps finden Sie in der Tabelle für das Holzkohlengrillen.

Die folgenden Grilltabellen sind nur Anhaltspunkte. Kochzeiten werden durch verschiedene Faktoren beeinflusst, z. B. Höhenlage, Aussentemperatur, Wind und gewünschte Garstufe, die sich auf die jeweilige Kochzeit auswirken können. Verwenden Sie ein Fleischthermometer, um sicherzustellen, dass Speisen ausreichend gegart sind.

## Tipps zum Holzkohlengrillen

FLEISCHSORTE	Direkte/Indirekte Hitze	KOCHZEIT	Tipps
Steak 2,5 cm dick	Direkte Hitze	6-8 Minuten – halbdurch (medium)	Fragen Sie beim Fleischkauf nach gut marmoriertem Fleisch. Die Fettadern dienen bei der Zubereitung als natürliche Zartmacher und halten das Fleisch schön saftig.
Hamburger 1,25 cm dick	Direkte Hitze	6-8 Minuten – halbdurch (medium)	Ändern Sie die Dicke des Hamburger-Bratlings und bereiten Sie die Hamburger nach dem persönlichen Geschmack Ihrer Gäste punktgenau zu. Verleihen Sie Ihren Gerichten ein exotisches Aroma, indem Sie beim Grillen Hickory-Holzchips in der Napoleon-Räuchervorrichtung hinzufügen.
Geflügel (zerteilt)	Direkte Hitze ca. 2 Minuten pro Seite Indirekte Hitze für die restlichen 18-20 Minuten.	20-25 Minuten	Schneiden Sie das Gelenk zwischen Schenkel und Bein von der hautlosen Seite zu 3/4 durch, damit das Fleisch flacher auf dem Grill liegt. Ganze Hühnerbeine grillen so schneller und gleichmäßiger. Verleihen Sie Ihren Gerichten ein exotisches Aroma, indem Sie beim Grillen Mesquite-Holzchips in der Napoleon-Räuchervorrichtung hinzufügen.
Schweinekoteletts	Direkte Hitze	10-25 Minuten	Überschüssiges Fett vor dem Grillen abtrimmen. Wählen Sie dickere Koteletts für zarteres Fleisch.
Spareribs	Direkte Hitze ca. 5 Minuten Indirekte Hitze, um Fleisch fertigzugaren	1,5-2 Stunden Häufig wenden	Wählen Sie Rippchen, die mager sind und viel Fleisch haben. Solange Grillen bis sich das Fleisch leicht vom Knochen ablösen lässt.
Lammkoteletts	Direkte Hitze	25-30 Minuten	Überschüssiges Fett vor dem Grillen abtrimmen. Wählen Sie dickere Koteletts für zarteres Fleisch.
Hotdogs	Direkte Hitze	4-6 Minuten	Verwenden Sie große Wiener-Würstchen zur Zubereitung von Hotdogs und schneiden Sie die Haut vor dem Grillen längs ein.

# Grillanleitung

**Erstmaliges Anzünden:** Beim ersten Anzünden kommt es zu einer leichten Geruchsbildung. Dies ist ein normaler, vorübergehender Zustand, der durch das „Einbrennen“ der Lacke und Schmiermittel im Gerät hervorgerufen wird, die während des Herstellungsprozesses benötigt werden. Dieser Geruch tritt nach dem Einbrennvorgang nicht mehr auf. Den Grill bei offener Grillhaube und vollständig geöffneten Lüftungsschlitzen für ca. 30 Minuten auf hoher Stufe brennen lassen.

**Verwenden des Grills:** Der Grill sollte vor der Verwendung vorgewärmt werden. Hierzu bei geschlossener Grillhaube für ca. 20 Minuten betreiben. Die Holzkohle ist grillfertig, wenn sie leicht mit grauer Asche überzogen ist. Gerichte, die nur kurze Kochzeiten erfordern (Fisch, Gemüse) können bei offener Grillhaube gegrillt werden. Kochen bei geschlossener Haube ermöglicht höhere, gleichmäßigere Temperaturen. Hierdurch können Kochzeiten reduziert werden und Grillgut wird gleichmäßiger gegart. Bei der Zubereitung sehr magerer Fleischsorten wie Hühnerbrust oder mageren Stücken vom Schwein kann der Grillrost vor dem Vorwärmen eingefettet werden, um Anhaften zu vermeiden. Bei der Zubereitung von sehr fetthaltigen Fleischsorten kann es zu Aufflammen kommen. Das Fett etwas abtrimmen oder die Temperatur reduzieren, um Aufflammen zu verhindern. Sollte es zum Aufflammen kommen, Grillgut von der Flamme entfernen und Hitze reduzieren (Lüftungsschlitze weiter schließen). Haube offen lassen.

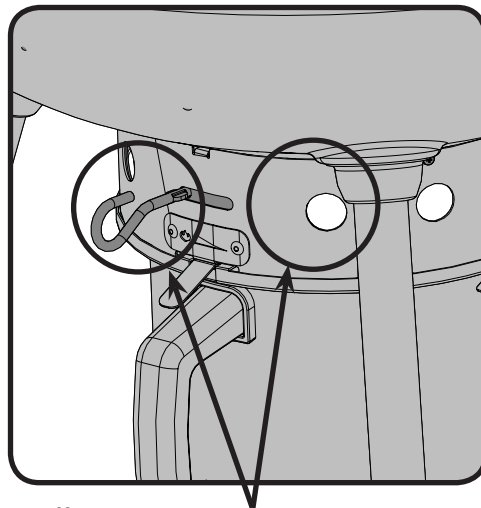
**In der Regel sind für die Zubereitung von 1 kg Fleisch ca. 50 Holzkohlenbriketts erforderlich. Bei Zubereitungszeiten von 30 bis 40 Minuten müssen zusätzliche Holzkohlenbriketts aufgelegt werden. Bei kaltem oder windigem Wetter werden mehr Holzkohlenbriketts benötigt, um optimale Kochtemperaturen zu erreichen.**

**Hinzufügen von Holzkohle während des Grillvorgangs:** Beim Hinzufügen von Holzkohle auf den heißen Grill vorsichtig vorgehen. Es kann zu einer plötzlichen Flammenbildung kommen, wenn die Kohlen mit frischer Luft in Kontakt kommen. Unter Einhaltung eines Sicherheitsabstands vom Grill zusätzliche Holzkohle mithilfe einer Grillzange mit langen, hitzebeständigen Griffen auflegen. Der Grillrost ist beidseitig mit klappbaren Einsätzen ausgestattet, um Zugang zum Holzkohlenrost zu ermöglichen.

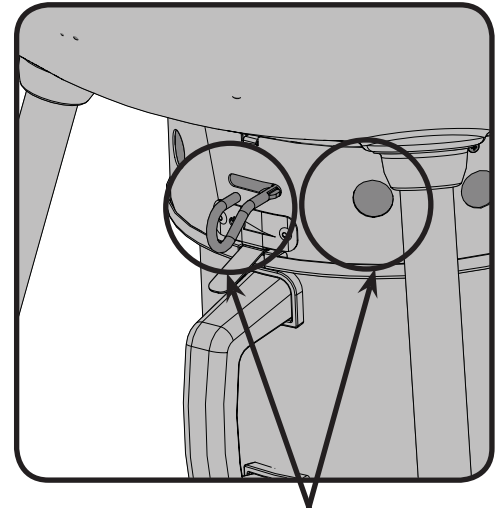


**ACHTUNG!** Niemals flüssigen Grillanzünder auf heißen oder warmen Kohlen verwenden. Sobald die Holzkohle gezündet ist, ist kein weiterer flüssiger Grillanzünder erforderlich.

**Betrieb der Lüftungsschlitze:** Wenn der Grill mit geschlossener Grillhaube betrieben wird, sollten die Lüftungsschlitze normalerweise vollständig geöffnet sein, um ausreichende Belüftung des Grills zu gewährleisten. Luftzufuhr erhöht die Brenntemperatur der Kohle. Die Grilltemperatur kann durch Verschieben des Lüftungsschlitzes nach links oder rechts geregelt werden. Teilweises oder vollständiges Schließen der Lüftungsschlitze führt zum Abkühlen der Kohle. Die Lüftungsschlitze und den Lüftungsschlitze in der Haube nur dann vollständig schließen, wenn der Grill abgekühlt oder eine Flamme gelöscht werden soll.



*Öffnen Lüftungsschlitze*



*Lüftungsschlitze Geschlossen*

## Sicherheitshinweise nach der Verwendung



**WARNUNG!** Befolgen Sie diese Sicherheitshinweise, um schwere Verletzungen und/oder Sachschäden zu vermeiden.

- Grillhaube und alle Lüftungsschlitze schließen, um das Feuer zu löschen.
- Den Grill vor dem Anfassen stets vollständig abkühlen lassen.
- Kohle und Asche niemals unbeaufsichtigt im Grill lassen. Sicherstellen, dass Kohle und Asche vollständig ausgekühlt sind, bevor der Grill gereinigt wird.
- Kohle und Asche mit einem Metallspatel oder einer Metallschaufel aus dem Grill entfernen. Kohle und Asche in einen nicht brennbaren Metallbehälter geben und vollständig mit Wasser übergießen. Den Behälter mindestens 24 Stunden stehen lassen, bevor Kohle und Asche im Müll entsorgt werden.

# Wartung, Pflege Und Reinigung

Der Aschebehälter und die Fett-Auffangschale sollten nach jedem Gebrauch ausgeleert werden.



**WARNUNG!** Vor dem Entfernen oder Abnehmen jeglicher Teile vom Grill muss sichergestellt werden, dass der Grill und alle Kohlen vollständig abgekühlt sind.

**WARNUNG!** Beim Reinigen des Grills sollten stets Handschuhe und eine Schutzbrille getragen werden.

**WARNUNG!** Keinen Hochdruckreiniger verwenden, um das Gerät oder Teile des Grills zu reinigen.

**WARNUNG!** Wartungsmaßnahmen nicht am heißen Gerät durchführen, um Verbrennungen zu vermeiden. Ungeschützten Kontakt mit heißen Oberflächen vermeiden. Grill an einer Stelle reinigen, wo die Reinigungslösung nicht zur Beschädigung von Balkonen, Rasen oder Terrassen führen kann. Keinen Ofenreiniger für die Reinigung des Grills oder Teilen des Grills verwenden. Keinen selbstreinigenden Ofen verwenden, um Grillroste oder andere Teile des Grills zu reinigen.

Barbecuesauce und Salz können korrosiv wirken und schnell zur Korrosion des Grills und einzelner Bauteile führen, wenn keine regelmäßige Reinigung durchgeführt wird.

**Roste Und Warmhaltefläche :** lassen sich am besten beim Vorwärmen des Grills mit einer weichen Messingdrahtbürste säubern. Für schwer zu entfernende Flecke Stahlwolle verwenden.

**Reinigen der Grillinnenseite:** Grillroste entnehmen. Lösen Schmutz am Grillaufsatz und an der Grillhaubeninnenseite mit einer Messingbürste entfernen. Grillinnenseite mit einem Spachtel- oder Schabemesser auskratzen und Asche mit einer Drahtbürste entfernen. Lose Asche und Schmutz von der Innenseite des Grills in den abnehmbaren Asche-/Fett-Auffangbehälter fegen. Nach Wunsch die Grillinnenseite mit einem milden Reinigungsmittel und Wasser abwaschen. Gründlich mit klarem Wasser abspülen und trockenwischen.



**ACHTUNG!** Fettansammlungen können zu Bränden führen. Auffangschale nach jedem Gebrauch reinigen, um übermäßige Fettansammlung zu vermeiden.

**Aschenbehälter/Auffangschale:** Asche, Fett und überschüssige Bratflüssigkeit tropfen zuerst in den Aschenbehälter/die Auffangschale unterhalb des Holzkohलगrills und werden dort gesammelt. Zur einfacheren Reinigung die Auffangschale herausziehen. Die Auffangschale nicht mit Alufolie, Sand oder anderen Materialien auslegen, da dies den erwünschten Fettabfluss behindern kann. Auffangschale mit einem Spachtel- oder Schabemesser auskratzen, gelöstes Fett und Schmutz in einem nicht brennbaren Metallbehälter auffangen. Aschenbehälter/Auffangschale mit einem milden Reinigungsmittel und Wasser abwaschen. Gründlich mit klarem Wasser abspülen und trockenwischen.

**Reinigen Der Aussenseite Des Gasgrills:** Lackierte, Porzellan- oder Rostfreistahlteile nicht mit Scheuermitteln säubern. Die Porzellanemaille ist besonders vorsichtig zu behandeln. Die Emaillebeschichtung ist wie Glas und platzt beim Anschlagen leicht ab. Emaille-Reparaturmaterial ist von Ihrem Napoleon-Händler erhältlich. Außenflächen am besten in handwarmem Zustand mit warmem Seifenwasser reinigen. Rostfreistahl mit einem entsprechenden Reinigungsmittel oder einem nicht scheuernden Reinigungsmittel säubern. Stets in Strukturrichtung wischen. Keine Stahlwolle verwenden, da sie Kratzspuren hinterlässt. Rostfreistahl verfärbt sich unter Hitze goldfarben oder braun. Diese Verfärbung ist normal und beeinträchtigt die Leistung des Grills nicht.

# Fehlerbehebung

Problem	Mögliche Ursachen	Lösung
Geringe Hitze / kleine Flamme.	<p>Ungenügendes Vorheizen.</p> <p>Ungenügende Luftzufuhr.</p> <p>Zu wenig Holzkohle.</p> <p>Haube wird zu oft geöffnet.</p>	<p>Holzkohle brennen lassen, bis sie mit einer hellgrauen Ascheschicht überzogen ist. (üblicherweise 20-25 Minuten)</p> <p>Lüftungsschlitze sind offen.</p> <p>Der Holzkohlenwanne mehr Holzkohle hinzufügen.</p> <p>Speisen bei geschlossener Grillhaube garen lassen. Bei jedem Abnehmen der Grillhaube sinkt die Temperatur. Dies führt zu niedrigeren Temperaturen und längeren Kochzeiten.</p>
Übermäßiges Aufflammen/ ungleichmäßige Hitze.	<p>Ungenügendes Vorheizen.</p> <p>Übermäßige Ansammlung von Fett und Asche in Aschenbehälter und Auffangschale.</p>	<p>Grill bei geschlossener Haube 20-25 Minuten vorheizen und Kohle gleichmäßig verteilen.</p> <p>Aschenbehälter und Auffangschale regelmäßig reinigen. Auffangschale nicht mit Alufolie auslegen. Siehe Anweisungen für das Reinigen des Grills.</p>
Haubeninnenseite sieht aus, als ob „Farbe“ abblättert.	Fettansammlung auf den Innenseiten.	Dies ist kein Defekt. Die Hauben haben ein Porzellan-Finish, das nicht abblättern kann. Das Abblättern wird durch hart gewordenes Fett hervorgerufen, das zu farbähnlichen Splittern trocknet, die abblättern können. Dies kann durch regelmäßiges Reinigen verhindert werden. Siehe Anweisungen für das Reinigen.

DE

# Übersicht zum Holzkohlengrillen

## Anzünden des Grills

- Vor der ersten Verwendung den Grill bei offener Grillhaube und vollständig geöffneten Lüftungsschlitzen für ca. 30 Minuten auf hoher Stufe brennen lassen. Hierdurch werden alle Schmiermittel abgebrannt, die für den Herstellungsprozess benötigt werden.
- Die Lüftungsschlitze in Haube und Grill vollständig öffnen, wenn der Grill angezündet wird.
- Sicherstellen, dass der Aschenbehälter leer ist und den sauberen Aschenbehälter wieder einsetzen.
- Der Grill kann mit oder ohne den mittleren Luftabweiser verwendet werden. Der Luftabweiser sorgt für gleichmäßigere Temperaturen und reduziert die Brennrate in der Grillmitte.
- Zum Anzünden entweder den Ultrachef Holzkohlengrillstarter (nicht enthalten) gemäß Gebrauchsanweisung verwenden oder festen Grillstarter oder leicht zerknülltes Zeitungspapier auf und um den Luftabweiser herum anordnen. Die Holzkohle in der Grillmitte (direkte Garmethode) oder in den optionalen Holzkohlenwannen (indirekte Garmethode) kegelförmig anhäufeln.
- Nach dem vollständigen Anzünden Haube schließen und die Holzkohle brennen lassen, bis sie mit einer hellgrauen Ascheschicht überzogen ist (ca. 20 Minuten). Dann je nach gewünschter Garmethode die Holzkohle mit einer Grillzange mit langen, hitzebeständigen Griffen anordnen.
- Sie können flüssigen Grillanzünder verwenden, aber dies ist nicht die empfohlene Methode zum Anzünden von Holzkohle. Flüssiger Grillanzünder kann schwierig in der Handhabung sein und kann zu einem chemischen Geschmack des Grillguts führen, wenn er vor der Speisenzubereitung nicht vollständig abgebrannt wird. Nach dem Anzünden niemals zusätzlichen flüssigen Grillanzünder auf den Grill gießen. Den Behälter mindestens 7,6 m vom Grill entfernt aufbewahren, wenn der Grill in Betrieb ist.
- Zusätzliches Räucheraroma kann durch Hinzufügen von Räucherholzchips erreicht werden, welche in einer großen Auswahl an Aromen über Ihren Napoleon-Händler erhältlich sind.

## Garen mit dem Grill

- Der Grill sollte vor der Verwendung vorgewärmt werden. Hierzu bei geschlossener Grillhaube für ca. 20 Minuten betreiben. Die Holzkohle ist grillfertig, wenn sie leicht mit grauer Asche überzogen ist.
- In der Regel sind für die Zubereitung von 1 kg Fleisch ca. 50 Holzkohlenbriketts erforderlich. Bei Zubereitungszeiten von 30 bis 40 Minuten müssen zusätzliche Holzkohlenbriketts aufgelegt werden. Bei kaltem oder windigem Wetter werden mehr Holzkohlenbriketts benötigt, um optimale Kochtemperaturen zu erreichen.
- Beim Hinzufügen von Holzkohle auf den heißen Grill vorsichtig vorgehen. Es kann zu einer plötzlichen Flammenbildung kommen, wenn die Kohlen mit frischer Luft in Kontakt kommen. Unter Einhaltung eines Sicherheitsabstands vom Grill zusätzliche Holzkohle mithilfe einer Grillzange mit langen, hitzebeständigen Griffen auflegen.
- Wenn der Grill mit geschlossener Grillhaube betrieben wird, sollten die Lüftungsschlitze normalerweise vollständig geöffnet sein, um ausreichende Belüftung des Grills zu gewährleisten. Luftzufuhr erhöht die Brenntemperatur der Kohle. Die Grilltemperatur kann durch Verschieben des Lüftungsschlitzes nach links oder rechts geregelt werden.
- Speisen bei geschlossener Grillhaube garen lassen. Bei jedem Abnehmen der Grillhaube sinkt die Temperatur. Dies führt zu niedrigeren Temperaturen und längeren Kochzeiten.
- Teilweises oder vollständiges Schließen der Lüftungsschlitze führt zum Abkühlen der Kohle. Die Lüftungsschlitze und den Lüftungsschlitz in der Haube nur dann vollständig schließen, wenn der Grill abgekühlt oder eine Flamme gelöscht werden soll.
- Den Grillrost vor dem Vorwärmen einfetten, um Anhaften zu vermeiden.
- Verwenden Sie ein Fleischthermometer, um sicherzustellen, dass Speisen ausreichend gegart sind.

## Reinigen des Grills

- Grillhaube und alle Lüftungsschlitze schließen, um das Feuer zu löschen.
- Den Grill vor dem Anfassen stets vollständig abkühlen lassen.
- Kohle und Asche niemals unbeaufsichtigt im Grill lassen. Sicherstellen, dass Kohle und Asche vollständig ausgekühlt sind, bevor der Grill gereinigt wird.
- Kohle und Asche mit einem Metallspatel oder einer Metallschaufel aus dem Grill entfernen. Kohle und Asche in einen nicht brennbaren Metallbehälter geben und vollständig mit Wasser übergießen. Den Behälter mindestens 24 Stunden stehen lassen, bis die Kohle und Asche im Müll entsorgt wird.
- Lösen Schmutz am Grillaufsatz und an der Grillhaubeninnenseite mit einer Messingbürste entfernen.
- Grillinnenseite mit einem milden Reinigungsmittel und Wasser abwaschen. Gründlich mit klarem Wasser abspülen und trockenwischen.
- Porzellan-Email-Oberflächen müssen mit besonderer Sorgfalt behandelt werden. Das ofengebrannte Email-Finish ist wie Glas und kann bei Gewalteinwirkung abplatzen. Wenden Sie sich an Ihren Napoleon-Gasgrill-Händler, um Materialien für die Ausbesserung von beschädigtem Email zu erhalten.

**BEWAHREN SIE IHRE QUITTING ALS KAUFNACHWEIS AUF, UM IHREN GARANTIEANSPRUCH ZU VALIDIEREN.**

## **BESTELLUNG VON ERSATZTEILEN**

### **GARANTIE-INFORMATIONEN**

MODELL: \_\_\_\_\_

KAUFDATUM: \_\_\_\_\_

SERIENNUMMER: \_\_\_\_\_

### ***(Alle für einen Garantieanspruch benötigten Informationen hier aufzeichnen)***

Bevor Sie sich mit dem Kundendienst in Verbindung setzen, besuchen Sie bitte die NAC-Website unter [www.napoleongrills.com](http://www.napoleongrills.com), um ausführlichere Informationen zu Reinigung, Wartung und Pflege, Fehlerbehebung und Ersatzteile zu erhalten. Setzen Sie sich direkt mit dem Werk in Verbindung, um Ersatzteile zu bestellen und Garantieansprüche geltend zu machen. Unser Kundendienst ist zwischen 9 und 15 Uhr Eastern Standard Time erreichbar. Telefonnummer: +1-866-820-8686, Faxnummer: +1-705-727-4282. Zur Bearbeitung eines Garantieanspruchs bitte die folgenden Informationen bereithalten:

1. Modell- und Seriennummer des Geräts
2. Teilenummer und –beschreibung
3. Vollständige Beschreibung des Problems („kaputt“ ist nicht ausreichend)
4. Kaufnachweis (Fotokopie der Rechnung)

In manchen Fällen kann der Kundendienstbeauftragte u. U. die Einsendung der Teile zur Überprüfung im Werk verlangen, bevor Ersatzteile ausgeliefert werden. Die Teile müssen unter Vorauszahlung aller Transportkosten und Angabe der folgenden Informationen an den Kundendienst versandt werden:

1. Modell- und Seriennummer des Geräts
2. Vollständige Beschreibung des Problems („kaputt“ ist nicht ausreichend)
3. Kaufnachweis (Fotokopie der Rechnung)
4. Autorisierungscode für die Rücksendung. Diese erhalten Sie vom Kundendienstmitarbeiter.

Beachten Sie, dass die folgenden Teile nicht unter die Garantie fallen, bevor Sie den Kundendienst kontaktieren:

- Transportkosten, Courtage oder Exportzölle
- Arbeitskosten für Aus- und Einbau
- Telefonkosten für Anrufe zur Diagnose eines Problems
- Verfärbungen von Edelstahlteilen
- Teileversagen aufgrund von mangelnder Reinigung und Pflege, oder Verwendung von falschen Reinigungsmitteln (Ofenreiniger)



**FAXNR.: 705 727 4282**

## BESTELLFORMULAR FÜR ZUBEHÖR UND ERSATZTEILE

BITTE IN DRUCKSCHRIFT AUSFÜLLEN

ANSPRECHPARTNER: \_\_\_\_\_

LIEFERANSCHRIFT : \_\_\_\_\_

\_\_\_\_\_

\_\_\_\_\_

TELEFON : \_\_\_\_\_

FAX : \_\_\_\_\_

EMAIL: \_\_\_\_\_

KREDITKARTENNR. (VISA, MASTERCARD) : \_\_\_\_\_ GÜLTIG BIS: \_\_\_\_\_

UNTERSCHRIFT: \_\_\_\_\_

ANZAHL	TEILENUMMER	BESCHREIBUNG

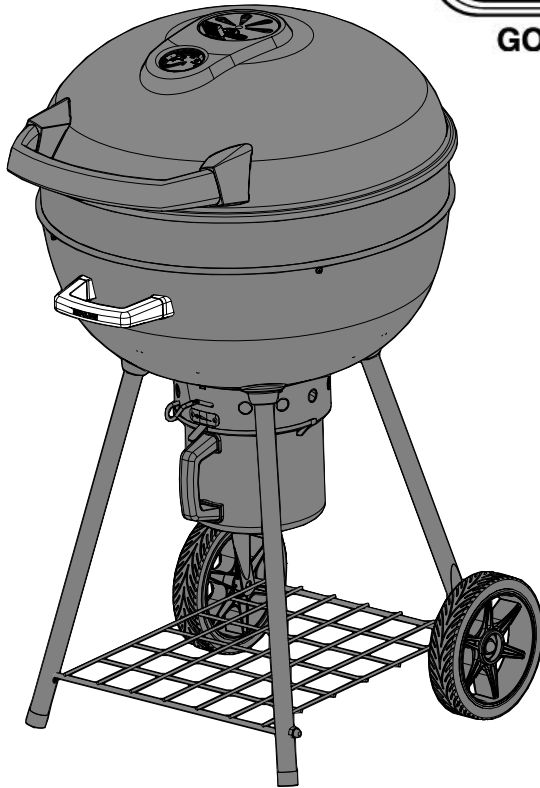
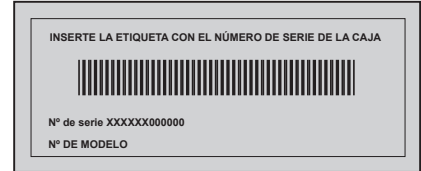
ARTIKEL KÖNNEN U. U. STEUERPFLLICHIG SEIN  
TRANSPORTKOSTEN NICHT ENTHALTEN

FALLS SIE EINE BESTÄTIGUNG WÜNSCHEN, BITTE FAXNUMMER ODER E-MAIL-ADRESSE ANGEBEN



**MANUAL DE ENSAMBLE, USO Y CUIDADO**  
**PARRILLA PARA USO EN EXTERIORES Y ESPACIOS BIEN VENTILADOS**  
**CONSERVE ESTE MANUAL PARA CONSULTAS FUTURAS.**

# PARRILLA A CARBÓN PARA EXTERIORES



## PRO22K-LEG

ES



### ADVERTENCIA

*Antes de encender el artefacto, lea la sección de instrucciones de "ENCENDIDO" de este manual.*



### PELIGRO

*Quema de carbón, se produce monóxido de carbono. No quemar carbón dentro de casas, garajes, tiendas de campaña, vehículos o cualquier área cerrada.*



**ADVERTENCIA!** Si no se cumplen estas instrucciones, se puede provocar un incendio, incluso lesiones o la muerte.

Napoleon Appliance Corp.,  
214 Bayview Dr., Barrie, Ontario, Canada L4N 4Y8 Phone: 1-866-820-8686  
Fax: (705)725-2564 email: [wecare@napoleonproducts.com](mailto:wecare@napoleonproducts.com) web site: [www.napoleongrills.com](http://www.napoleongrills.com)

## GRACIAS POR ELEGIR NAPOLEON

Los productos NAPOLEON están diseñados con materiales y componentes de primera calidad. Profesionales capacitados y orgullosos de su trabajo son los responsables de ensamblar los productos. Técnicos calificados inspeccionan cuidadosamente la parrilla antes de empaquetarla y transportarla para que usted, nuestro cliente, reciba el producto de alta calidad que le brinda NAPOLEON. En Napoleon, nos dedicamos a usted, "nuestro valioso cliente". Nuestra meta es entregarle las herramientas necesarias para lograr que el arte de cocinar en parrilla sea una experiencia inolvidable. Le brindamos este manual para asegurarle un correcto ensamble, mantenimiento, cuidado e instalación de la nueva parrilla. Es importante que lea y comprenda todo el manual antes de utilizar la nueva parrilla para que entienda todas las precauciones de seguridad y vea todas las características que la parrilla le ofrece. Siga cuidadosamente estas instrucciones y disfrute el arte de la cocina en parrilla sin problemas, durante años. Si el producto no cumple con sus expectativas, contáctese con nuestro departamento de atención al cliente al 1-866-820-8686, de 9 a. m. a 5 p. m. hora del este (Estados Unidos), o visite nuestro sitio web: [www.napoleongrills.com](http://www.napoleongrills.com).



## GARANTÍA LIMITADA DE POR VIDA DEL PRESIDENTE DE NAPOLEON PARA LA PARRILLA

NAPOLEON garantiza los siguientes materiales y mano de obra de la nueva parrilla NAPOLEON contra defectos durante todo el tiempo que usted posea la parrilla. Esta garantía cubre la base esmaltada de porcelana, las tapas esmaltadas de porcelana, manijas de la base y la tapa, todo sujeto a las siguientes condiciones: Durante los primeros diez años, NAPOLEON reemplazará las piezas sin costo, según nuestra opción. Del onceavo año y para el resto de la vida, NAPOLEON reemplazará las piezas con un costo del 50% del valor actual de venta al público.

La garantía cubre componentes, como estantes laterales, patas del carro y paneles del carro. NAPOLEON proporcionará las piezas, sin cargo, durante los primeros cinco años de la garantía limitada.

La garantía cubre los demás componentes, como parrillas para cocinar, rejilla para el carbón, deflector de aire, bandeja para cenizas, indicador de temperatura, estante de alambre, ruedas, sujetadores y accesorios. NAPOLEON proporcionará las piezas, sin cargo, durante el primer año de la garantía limitada.

NAPOLEON no se responsabiliza por los gastos de transporte, mano de obra ni aranceles de exportación.

## CONDICIONES Y LIMITACIONES

"NAPOLEON garantiza sus productos contra defectos de fabricación únicamente para el comprador original, siempre y cuando la compra se haya realizado a través de un distribuidor de NAPOLEON autorizado y esté sujeta a las siguientes condiciones y limitaciones:"

La garantía de fábrica no es transferible y no puede ser extendida bajo ningún concepto por ninguno de nuestros representantes.

La instalación de la parrilla se debe realizar por un técnico de mantenimiento o contratista autorizado y con licencia. La instalación se debe realizar de acuerdo a las instrucciones de instalación que se incluyen con el producto y conforme a todos los códigos de construcción e incendios locales y nacionales.

Esta garantía limitada no cubre los daños causados por uso indebido, falta de mantenimiento, incendios ocasionados por la grasa, entornos hostiles, accidentes, alteraciones, abuso o negligencia. Esta garantía queda anulada si se instalan piezas de otros fabricantes.

Esta garantía limitada no cubre ralladuras, abolladuras, acabados pintados, corrosión o decoloración producidas por el calor, productos de limpieza abrasivos o químicos ni resquebrajamiento de las piezas esmaltadas de porcelana ni de los componentes utilizados en la instalación de la parrilla.

Si se deterioran las piezas hasta el punto que evita el funcionamiento correcto de la parrilla en el período de cobertura de la garantía, se proporcionará una pieza de repuesto.

Solamente durante el primer año, se extiende esta garantía al reemplazo de las piezas cubiertas por la garantía, que presenten defectos en el material o de mano de obra, siempre y cuando el producto haya sido utilizado de acuerdo a las instrucciones de funcionamiento y en condiciones normales.

Luego del primer año, con respecto a esta garantía limitada de por vida del presidente, NAPOLEON podrá, según lo disponga, eximirse completamente de todas sus obligaciones relacionadas con esta garantía al reembolsarle el precio total de cualquier pieza bajo garantía, aunque esté defectuosa, al comprador que adquirió la garantía original.

NAPOLEON no se responsabiliza por la instalación, por los gastos de mano de obra ni por otros gastos relacionados con la reinstalación de la pieza en garantía que no cubre dichos gastos.

A pesar de las disposiciones contenidas en esta garantía limitada de por vida del presidente, la responsabilidad de NAPOLEON bajo esta garantía queda definida en las condiciones anteriores y, en ningún caso, podrá extenderse a daños imprevistos, consecuentes o indirectos.

Esta garantía define las obligaciones y responsabilidades de NAPOLEON con respecto a la parrilla NAPOLEON y se excluyen otras garantías, expresas o implícitas, en relación con este producto, sus componentes o accesorios.

NAPOLEON no asume ni autoriza que ninguna tercera parte asuma, en su nombre, otras responsabilidades con respecto a la venta de este producto.

NAPOLEON no se responsabiliza por: incendios excesivos, apagones causados por condiciones ambientales como vientos fuertes, o ventilación inadecuada.

NAPOLEON no se responsabiliza por los daños en la parrilla causados por condiciones meteorológicas, granizo, tratamiento inadecuado, productos de limpieza o químicos dañinos.

Se deberá realizar cualquier reclamo de la garantía de NAPOLEON con el recibo o copia del recibo de venta, así como con el número de serie y el número de modelo.

NAPOLEON se reserva el derecho de que su representante inspeccione cualquier producto o pieza antes de aceptar cualquier reclamo de la garantía.

NAPOLEON no se responsabiliza por los gastos de transporte, mano de obra ni aranceles de exportación.



**ADVERTENCIA!** Si no sigue estas instrucciones, se podrían producir daños personales o en la propiedad, o incluso la muerte. Lea y siga todas las advertencias e instrucciones que se incluyen en este manual antes de utilizar la parrilla.

## Procedimientos de seguridad durante el funcionamiento

- Lea todas las instrucciones del manual antes de utilizar la parrilla.
- Nunca modifique esta parrilla.
- Siga cuidadosamente las instrucciones de encendido cuando utiliza la parrilla.
- No encienda el carbón con la tapa cerrada.
- No se incline sobre la parrilla cuando la encienda.
- No utilice gasolina, alcohol ni ninguna otra sustancia muy volátil para encender el carbón. Utilice SOLAMENTE sustancias aprobadas para encender carbón. Asegúrese de que no haya líquidos en la parte inferior de la parrilla antes de encender el carbón.
- No incorpore ninguna sustancia para encender el carbón mientras las brasas estén calientes o tibias.
- Después de utilizar y antes de encender la parrilla, tape y almacene las sustancias para encender el carbón a una distancia de, al menos, 7,6 m de la parrilla.
- Mantenga a los niños y animales alejados de la parrilla caliente. No permita que los niños suban e ingresen al gabinete.
- No descuide la parrilla mientras está en funcionamiento.
- No mueva la parrilla mientras esté caliente o en funcionamiento.
- No instale esta parrilla en un vehículo recreativo ni en botes.
- Utilice esta parrilla solo en exteriores, en ambientes ventilados. No utilice esta parrilla en edificios, garajes, galerías cerradas, gazebos ni en ningún área cerrada.
- Mantenga los combustibles a una distancia adecuada de 1,5 m de todos los lados. Se recomienda mantener esta distancia de revestimiento de vinilo o de paneles de vidrio. No utilice esta parrilla sobre superficies combustibles (terrazas o galerías de madera o de materiales compuestos).
- Mantenga los orificios de ventilación del gabinete sin residuos.
- No utilice la unidad bajo ninguna construcción combustible.
- No utilice la unidad bajo ninguna construcción, como techos, garajes, toldos o aleros.
- No coloque la parrilla en lugares ventosos. Los vientos fuertes afectan el rendimiento de la parrilla.
- Mantenga la tapa abierta durante el precalentamiento.
- Mantenga en su lugar la bandeja para cenizas/grasa mientras utiliza la parrilla.
- Limpie la bandeja para cenizas/grasa periódicamente para evitar acumulaciones de grasa que pueden incendiarse.
- No utilice los estantes laterales para almacenar encendedores, cerillos ni otros combustibles.
- Mantenga la parrilla en terreno firme y llano todo el tiempo.
- No utilice agua para controlar llamaradas o apagar las brasas, ya que puede dañar el acabado de la parrilla.
- Para controlar llamaradas, cierre apenas los orificios de ventilación de la parrilla. Para apagar completamente las brasas o el fuego, cierre completamente todos los orificios de ventilación y la tapa.
- Utilice utensilios apropiados para asar, con mangos largos y resistentes al calor.
- Utilice guantes para asar o manoplas para proteger las manos mientras cocina o ajusta los orificios de ventilación.
- No retire las cenizas de la parrilla hasta que el carbón esté completamente apagado. Deje enfriar.
- Retire el carbón y las cenizas restantes de la parrilla y almacénelos en un recipiente metálico no combustible. Almacénelos en el recipiente metálico durante 24 horas antes de desecharlos.
- Mantenga los cables de suministro eléctrico lejos del agua o superficies calientes.
- Proposición 65, Estado de California: La combustión de carbón produce derivados que se mencionan en la lista de sustancias causantes de cáncer o daños reproductivos del Estado de California. Cuando cocine con carbón, asegúrese de que la unidad esté bien ventilada para minimizar la exposición a dichas sustancias.

# Instrucciones de encendido



## Uso de carbón.

Diámetro de la parrilla	Método de cocción	Cantidad de briquetas recomendada
56cm	Cocción directa	50
56cm	Cocción indirecta	25 por lado *(Agregue 8 de cada lado para cada hora adicional de tiempo de cocción.)

\*La cantidad de briquetas recomendada es aproximada. Se recomienda agregar briquetas para tiempos de cocción prolongados. En caso de clima más frío o más ventoso, se recomienda agregar más briquetas para lograr la temperatura de cocción ideal.

**ADVERTENCIA!** Abra la tapa.

**ADVERTENCIA!** Coloque la parrilla en un espacio exterior, sobre superficies firmes, llanas y no combustibles. Nunca utilice la parrilla sobre superficies de madera o inflamables.

**ADVERTENCIA!** No se incline sobre la parrilla cuando la encienda.

**ADVERTENCIA!** Mantenga la bandeja para cenizas en su lugar durante el encendido y mientras utiliza el artefacto.



ES

MÉTODO DE COCCIÓN DIRECTA	MÉTODO DE COCCIÓN INDIRECTA
1. Abra completamente la ventilación de la tapa y de la base. Retire la tapa de la parrilla y la rejilla de cocción.	1. Abra completamente la ventilación de la tapa y de la base. Retire la tapa de la parrilla y la rejilla de cocción.
2. Asegúrese de que la bandeja para cenizas esté limpia y vuelva a instalarla.	2. Asegúrese de que la bandeja para cenizas esté limpia y vuelva a instalarla.
3. Puede utilizar la parrilla con o sin el deflector de aire central. El deflector asegura una temperatura constante y disminuye la velocidad de combustión. Utilice el encendedor de carbón de la serie Ultra Chef (no incluido), como lo indican las instrucciones del manual, o coloque pastillas de encendido o papel de periódico alrededor y sobre el deflector de aire. Coloque el carbón en forma de pirámide en el centro de la unidad sobre el papel de periódico o las pastillas de encendido.	3. Retire el deflector de aire central y coloque una bandeja de goteo. Coloque los canastos para carbón opcionales (opcional) a cada lado de la bandeja de goteo. Utilice el encendedor de carbón de la serie Ultra Chef (no incluido), como lo indican las instrucciones del manual, o coloque pastillas de encendido o papel de periódico en los canastos para carbón. Coloque el carbón dentro de los canastos y sobre el papel de periódico o las pastillas de encendido.
4. Encienda el papel de periódico o las pastillas de encendido. Una vez encendido el carbón, cierre la tapa y deje que el carbón se queme hasta que quede cubierto de cenizas (aproximadamente 20 minutos).	4. Encienda el papel de periódico o las pastillas de encendido. Una vez encendido el carbón, cierre la tapa y deje que el carbón se queme hasta que quede cubierto de cenizas (aproximadamente 20 minutos).
5. Utilice pinzas con mangos largos resistentes al calor para distribuir de forma uniforme las brasas por toda la rejilla (incluso por el deflector de aire central).	



Puede utilizar líquido combustible para encender el carbón, pero no recomendamos este método. El líquido de encendido es sucio y puede dejar un sabor químico en la comida si no se quema bien antes de cocinar. Una vez encendido el carbón, no agregue líquido combustible a la parrilla. Almacene el recipiente del líquido combustible a 7,6 m de la parrilla mientras esté en funcionamiento.

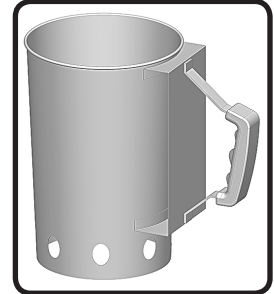
## ***Procedimientos de seguridad durante el funcionamiento del encendedor de carbón***



### **ADVERTENCIA!**

- Solamente para uso en exteriores.
- Utilice el encendedor de carbón sobre una rejilla para carbón firme y nivelada, y en una parrilla sobre una superficie firme, llana y no combustible.
- No coloque el encendedor de carbón sobre superficies combustibles mientras esté caliente.
- No utilice líquido de encendido, gasolina ni carbón autoencendible en el encendedor de carbón.
- Utilice el encendedor de carbón solamente para encender carbón en parrilla a carbón.
- Siempre utilice guantes protectores para manipular el encendedor de carbón.
- Mantenga a los niños y animales alejados del encendedor de carbón en todo momento.
- No utilice el encendedor de carbón en zonas muy ventosas.
- No descuide el encendedor de carbón cuando está en funcionamiento.
- No se incline sobre el encendedor de carbón cuando encienda el artefacto.
- Nunca utilice el encendedor de carbón para otro uso que no sea el indicado. No utilice el encendedor de carbón para preparar comidas.
- Tenga extrema precaución cuando retire las brasas calientes del encendedor de carbón.

EL ENCEDEDOR DE CARBÓN



## ***Uso del encendedor de carbón***

- Dé vuelta el encendedor de carbón.
- Coloque dos hojas de papel de periódico arrugadas en la parte inferior del encendedor de carbón.
- Dé vuelta el encendedor de carbón y colóquelo en el centro de la rejilla para carbón.
- Agregue una cantidad apropiada de carbón, pero no lo sobrecargue.
- Encienda un cerillo y colóquelo en uno de los orificios de ventilación de la parte inferior para encender el papel de periódico.
- Cuando la capa superior de carbón esté cubierta de cenizas, utilice guantes protectores y, con cuidado, vierta las brasas calientes sobre la rejilla para carbón (método de cocción directa) o en los canastos para carbón (método de cocción indirecta).
- Luego de colocar las brasas calientes en la parrilla, utilice pinzas con mangos largos y resistentes al calor para distribuir uniformemente el carbón.

# Manual de cocina al carbón

El carbón es la forma tradicional de cocción que conocemos. Las briquetas emiten energía infrarroja a la comida que se está preparando, con poco efecto de secado. Los jugos y aceites que escapan de los alimentos gotean sobre el carbón y se evaporan para darle a la comida ese delicioso sabor de las brasas. Lo más importante es que la parrilla a carbón de Napoleon genera calor abrasador para la cocción de bistecs, hamburguesas y otras carnes más jugosas y sabrosas. Para conocer los tiempos de cocción y otras sugerencias, consulte el gráfico de cocción en parrilla a carbón.

El siguiente gráfico de cocción es solamente una guía. Los tiempos de cocción pueden alterarse a causa de la altitud, la temperatura exterior, el viento y el punto de cocción deseado que se reflejará en su tiempo de cocción. Utilice un termómetro para carnes para cocinar los alimentos de manera adecuada.

## Gráfico de cocción en parrilla al carbón

Comida	Fuego directo/ indirecto	Tiempo de cocción	Sugerencias útiles
Bistecs 2,5 cm de espesor	Fuego directo	6-8 min.: medio	Cuando elija la carne para asar, pídale con vetas de grasa. La grasa actúa como un ablandador natural durante la cocción y mantiene la carne húmeda y jugosa.
Hamburguesas 1,5 cm de espesor	Fuego directo	6-8 min.: medio	La preparación de hamburguesas se facilita si se varía su espesor. Para agregar un sabor exótico a la carne, incorpore trozos de madera de nogal americano al carbón.
Trozos de pollo	Fuego directo: 2 min. de cada lado aprox. Fuego indirecto: 18-20 min. restantes	20-25 min.	Corte 3/4 partes de la articulación que une el muslo y la pata desde el lado sin piel para que la carne repose de manera plana sobre la parrilla. De este modo, la cocción será más rápida y uniforme. Para agregar un sabor característico a la comida, incorpore trozos de madera de mezquite al carbón.
Chuletas de cerdo	Fuego directo	10-15 min.	Retire el excedente de grasa antes de asar. Elija chuletas más gruesas para obtener una carne más tierna.
Costillas	Fuego directo: 5 min. Fuego indirecto: tiempo de cocción restante.	1,5-2 hs. Darlas vuelta con frecuencia.	Elija costillas magras y carnosas. Áselas hasta que la carne se desprenda fácilmente del hueso.
Chuletas de cordero	Fuego directo	25-30 min.	Retire el excedente de grasa antes de asar. Elija chuletas muy gruesas para obtener una carne más tierna.
Perros calientes	Fuego directo	4-6 min.	Seleccione las salchichas más grandes. Corte la piel de forma longitudinal antes de asar.

## Instrucciones para cocinar

**Encendido inicial:** cuando se enciende por primera vez, la parrilla emite un ligero olor. Este olor es normal y temporario causado por el “quemado” de las pinturas y los lubricantes internos utilizados en el proceso de fabricación. No ocurrirá la próxima vez que encienda la parrilla. Simplemente mantenga la parrilla a fuego alto (HI) durante aproximadamente 30 minutos, con los orificios de ventilación de la tapa y de la base abiertos completamente.

**Uso de la parrilla:** se recomienda precalentar la parrilla con la tapa cerrada durante aproximadamente 20 minutos. Las brasas están listas cuando tienen una capa de cenizas. Las comidas que necesitan períodos cortos de cocción (pescado, vegetales) se pueden asar con la tapa abierta. La cocción con la tapa cerrada garantiza temperaturas más altas y constantes que reducen el tiempo de cocción y permiten la cocción más uniforme de los alimentos. Al cocinar carnes muy magras, como pechugas de pollo o cerdo magro, lubrique con aceite las rejillas antes del precalentado para que la carne no se pegue. La cocción de carnes con un alto grado de contenido graso puede ocasionar llamaradas. Para evitarlo, quite la grasa o reduzca la temperatura. Si se producen llamaradas, aleje los alimentos de las llamas y reduzca la temperatura (cierre los orificios de ventilación). Deje la tapa abierta.

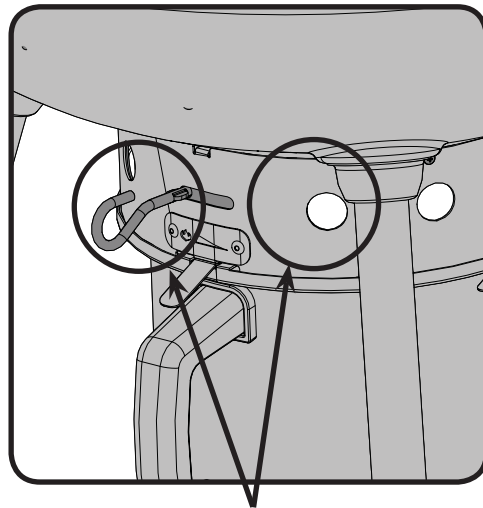
**Como regla general, utilice 50 briquetas por kilo de carne. Si cocina durante más de 30 o 40 minutos, agregue briquetas al fuego. En caso de clima frío o ventoso, necesitará más briquetas para lograr la temperatura de cocción ideal.**

**Agregar carbón durante la cocción:** Tenga cuidado al agregar carbón en la parrilla. Cuando el carbón entra en contacto con aire fresco puede ocasionar llamaradas. Aléjese y utilice pinzas de cocina con mangos largos y resistentes al calor para agregar briquetas de carbón. La rejilla posee tapas en los lados para permitir el acceso a la parrilla para carbón.

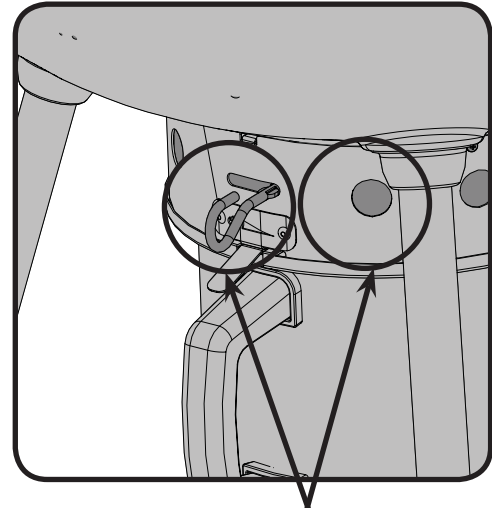


**ADVERTENCIA!** Nunca incorpore líquido combustible en las brasas calientes o tibias. No se necesitan más líquidos luego de encender el carbón.

**Funcionamiento de los orificios de ventilación:** deje abiertos los orificios de ventilación de la tapa de la parrilla cubierta para permitir que el aire ingrese en la parrilla. El aire aumenta la combustión de las brasas. Mueva las aberturas de los orificios de ventilación hacia la derecha o izquierda para regular la temperatura de la parrilla. Cierre completa o parcialmente los orificios de ventilación para enfriar las brasas. No cierre completamente los orificios de ventilación, tampoco los de la tapa, a menos que quiera reducir o apagar una llama.



*De ventilación abierta*



*De ventilación cerrado*

## Seguridad luego del uso



**ADVERTENCIA!** Siga detenidamente estas instrucciones de seguridad para protegerse usted y a su propiedad de los daños.

- Cierre la tapa de la parrilla y todos los orificios de ventilación para apagar el fuego.
- Deje enfriar la parrilla completamente antes de manipularla.
- Nunca descuide las brasas y cenizas de la parrilla. Asegúrese de que las brasas y cenizas se apaguen completamente antes de retirarlas de la parrilla.
- Utilice una espátula o pala de metal para retirar las brasas y cenizas de la parrilla. Colóquelas en un recipiente metálico no combustible y moje completamente con agua. Déjelas en el recipiente durante 24 horas antes de desecharlas.

# Instrucciones de mantenimiento y limpieza

Se recomienda vaciar la bandeja para cenizas/de goteo luego de cada uso.



**ADVERTENCIA!** Asegúrese de que la parrilla esté completamente fría, y las brasas, apagadas antes de retirar cualquier parte de la parrilla.

**ADVERTENCIA!** Siempre utilice guantes y lentes protectores para limpiar la parrilla.

**ADVERTENCIA!** No utilice agua a presión para limpiar la parrilla.

**ADVERTENCIA!** Para evitar quemaduras, se debe realizar el mantenimiento cuando la parrilla esté fría. Evite el contacto, sin protección, con superficies calientes. Limpie la parrilla en un lugar donde los líquidos de limpieza no dañen terrazas, patios o el césped. No utilice limpiador para hornos para limpiar ninguna pieza de la parrilla. No utilice un horno con autolimpieza para limpiar las rejillas de cocción ni ninguna otra pieza de la parrilla. La salsa barbacoa y la sal pueden ser corrosivas y deteriorar rápidamente los componentes de la parrilla, a menos que se limpie con regularidad.

**Rejillas y rejilla de calentamiento:** el mejor método de limpieza de las rejillas y la rejilla de calentamiento es utilizar un cepillo con dientes de bronce durante el período de precalentamiento. El estropajo de aluminio se puede utilizar para limpiar manchas persistentes.

**Limpieza del interior de la parrilla:** Retire las rejillas de cocción. Utilice un cepillo con dientes de bronce para limpiar los restos sueltos en el tazón y en el interior de la tapa. Raspe el interior del tazón con una espátula o raspador, y utilice un cepillo con dientes de bronce para quitar la ceniza. Retire todos los residuos del interior de la parrilla hacia la bandeja desmontable para cenizas/de goteo. Limpie el interior de la parrilla con un detergente suave y agua. Enjuague bien con agua limpia y seque.



**ADVERTENCIA!** La grasa acumulada es un peligro de incendio. Limpie la bandeja de goteo después de cada uso para evitar que la grasa se acumule.

**Bandeja para cenizas/de goteo:** las cenizas y las gotas sobrantes o de grasa quedan en la bandeja para cenizas/de goteo ubicada debajo de la parrilla a carbón, y se acumulan. Para limpiar, deslice la bandeja hasta retirarla completamente de la parrilla. Nunca cubra la bandeja con papel de aluminio, arena ni ningún otro material, ya que esto podría evitar la circulación correcta de la grasa. Raspe la bandeja con una espátula o raspador, y arroje los residuos en un recipiente metálico no combustible. Limpie la bandeja para cenizas/de goteo con detergente suave y agua. Enjuague bien con agua limpia y seque.

**Limpieza de la superficie exterior de la parrilla:** no utilice limpiadores abrasivos ni estropajo en piezas pintadas, de porcelana o acero inoxidable de la parrilla Napoleon. De lo contrario, rayará el acabado de la unidad. Limpie las superficies exteriores de la parrilla con agua templada y jabón mientras el metal está aún caliente al tacto. Para limpiar superficies de acero inoxidable, utilice un limpiador de acero inoxidable o no abrasivo. Aplique siempre el limpiador en la dirección del grano. Con el tiempo, las piezas de acero inoxidable se decoloran con el calor, adquiriendo normalmente un tono dorado o marrón. Esta decoloración es normal y no afecta al rendimiento de la parrilla. Los componentes esmaltados de porcelana se deben tratar con especial cuidado. El acabado de esmalte horneado es similar al vidrio, por lo que se picará si sufre un golpe. Puede solicitar esmalte para retoques a su proveedor de la parrilla Napoleon.



## Solución de problemas

Problema	Causas posibles	Solución
Fuego / Llama bajos.	<p>Pre calentamiento inadecuado.</p> <p>Corriente de aire insuficiente.</p> <p>Poca cantidad de carbón.</p> <p>Apertura frecuente de la tapa.</p>	<p>Permita que el carbón se quemé hasta que quede cubierto de cenizas. (generalmente, 20-25 min)</p> <p>Abra los orificios de ventilación.</p> <p>Agregue más carbón a la bandeja para carbón.</p> <p>Deje que los alimentos se cocinen con la tapa cerrada. Cada vez que retira la tapa, la temperatura desciende. En estos casos, se necesita un tiempo de cocción más prolongado.</p>
Llamaradas excesivas / fuego irregular.	<p>Pre calentamiento inadecuado.</p> <p>Acumulamiento excesivo de grasa y cenizas en la bandeja para cenizas/de goteo.</p>	<p>Pre caliente la parrilla con la tapa cerrada durante 20-25 min y distribuya las brasas de manera uniforme.</p> <p>Limpie la bandeja para cenizas/de goteo regularmente. Nunca cubra la bandeja con papel de aluminio. Consulte las instrucciones de limpieza.</p>
La "pintura" parece pelarse en el interior de la tapa o campana.	<p>Acumulación de grasa en las superficies internas.</p>	<p>No es un defecto. El acabado de la tapa es de porcelana y no se descascara. El resquebrajamiento se produce a causa de la grasa endurecida que se seca en forma de fragmentos con aspecto de pintura que se descascara. Para evitar este problema, realice la limpieza regularmente. Consulte las instrucciones de limpieza.</p>

# Resumen de la cocción en parrilla a carbón.

## *Encendido de la parrilla*

- Antes de cocinar por primera vez, se recomienda mantener la parrilla a fuego alto (HI) durante 30 minutos, con los orificios de ventilación de la tapa y de la base abiertos completamente. De esta manera, se quemará cualquier lubricante utilizado en el proceso de fabricación.
- Cada vez que encienda la parrilla, abra completamente los orificios de ventilación de la tapa y de la base.
- Asegúrese de que la bandeja para cenizas esté limpia y vuelva a instalarla.
- Puede utilizar la parrilla con o sin el deflector de aire central. El deflector asegura una temperatura constante y disminuye la velocidad de combustión.
- Utilice el encendedor de carbón de la serie Ultra Chef (no incluido), como lo indican las instrucciones del manual, o coloque pastillas de encendido o papel de periódico alrededor y sobre el deflector de aire. Coloque el carbón en forma de pirámide en el centro de la unidad (método de cocción directa) o en los canastos para carbón opcionales (método de cocción indirecta).
- Una vez encendida la unidad, cierre la tapa y permita que el carbón se queme hasta que quede cubierto de cenizas (aproximadamente 20 minutos), y distribuya el carbón con pinzas con mangos resistentes al calor de acuerdo al método de cocción que realice.
- Puede utilizar líquido combustible para encender el carbón, pero no recomendamos este método. El líquido de encendido es sucio y puede dejar un sabor químico en la comida si no se quema bien antes de cocinar. Una vez encendido el carbón, no agregue líquido combustible a la parrilla. Almacene el recipiente del líquido combustible a 7,6 m de la parrilla en funcionamiento.
- Se puede lograr un sabor ahumado si se agregan trozos de madera de distintos sabores suministrados por el distribuidor de Napoleon.

## *Cocción en la parrilla*

- Se recomienda precalentar la parrilla con la tapa cerrada durante aproximadamente 20 minutos. Las brasas están listas cuando tienen una capa de cenizas.
- **Como regla general, utilice 50 briquetas por kilo de carne. Si cocina durante más de 30 o 40 minutos, agregue briquetas al fuego. En caso de clima frío o ventoso, necesitará más briquetas para lograr la temperatura de cocción ideal.**
- Tenga cuidado al agregar carbón en la parrilla. Cuando el carbón entra en contacto con aire fresco puede ocasionar llamaradas. Aléjese y utilice pinzas de cocina con mangos largos y resistentes al calor para agregar briquetas de carbón.
- Deje abiertos los orificios de ventilación de la tapa de la parrilla cubierta para permitir que el aire ingrese en la parrilla. El aire aumenta la combustión de las brasas. Mueva las aberturas de los orificios de ventilación hacia la derecha o izquierda para regular la temperatura de la parrilla.
- Deje que los alimentos se cocinen con la tapa cerrada. Cada vez que retira la tapa, la temperatura desciende. En estos casos, se necesita un tiempo de cocción más prolongado.
- Cierre completa o parcialmente los orificios de ventilación para enfriar las brasas. No cierre completamente los orificios de ventilación, tampoco los de la tapa, a menos que quiera reducir o apagar una llama.
- Lubrique con aceite las rejillas antes del precalentado para que los alimentos no se peguen.
- Utilice un termómetro para carnes para cocinar los alimentos de manera adecuada.

## *Limpieza de la parrilla*

- Cierre la tapa de la parrilla y todos los orificios de ventilación para apagar el fuego.
- Deje enfriar la parrilla completamente antes de manipularla.
- Nunca descuide las brasas y cenizas de la parrilla. Asegúrese de que las brasas y cenizas se apaguen completamente antes de retirarlas de la parrilla.
- Utilice una espátula o pala de metal para retirar las brasas y cenizas de la parrilla. Colóquelas en un recipiente metálico no combustible y moje completamente con agua. Déjelas en el recipiente durante 24 horas antes de desecharlas.
- Utilice un cepillo con dientes de bronce para limpiar los restos sueltos en el tazón y en el interior de la tapa.
- Limpie el interior de la parrilla con un detergente suave y agua. Enjuague bien con agua limpia y seque.
- Utilice con extremo cuidado los componentes esmaltados de porcelana. El acabado esmaltado al horno es similar al vidrio y se descascara si se golpea. Solicite el esmalte para retoques a su distribuidor de la parrilla Napoleon.

**CONSERVE SU FACTURA COMO PRUEBA DE COMPRA PARA VALIDAR SU GARANTÍA.**

## Solicitud de piezas de recambio

### *Información de la garantía*

MODELO: \_\_\_\_\_

FECHA DE COMPRA: \_\_\_\_\_

NÚMERO DE SERIE: \_\_\_\_\_

### ***(Registre la información aquí para poder recurrir a ella fácilmente cuando lo necesite)***

Antes de ponerse en contacto con el departamento de atención al cliente, consulte el sitio Web de NAC para obtener instrucciones más detalladas sobre limpieza, mantenimiento, solución de problemas y recambio de piezas: [www.napoleongrills.com](http://www.napoleongrills.com). Póngase en contacto directamente con la empresa para obtener piezas de recambio y para realizar reclamaciones de la garantía. Nuestro departamento de atención al cliente está disponible de 9:00 a 17:00 (hora estándar oriental) en el número 1-866-820-8686, o por fax en el número: 1-705-727-4282. Para procesar una reclamación, necesitamos que nos proporcione la siguiente información:

1. Modelo y número de serie de la unidad.
2. Número y descripción de la pieza.
3. Descripción precisa del problema ("roto" no es suficiente).
4. Prueba de compra (fotocopia de la factura).

En determinados casos, el representante de atención al cliente podrá solicitar que las piezas sean devueltas a la fábrica para su inspección antes de proporcionar las piezas de recambio. Estas piezas deberán ser enviadas previamente pagadas a la atención del departamento de atención al cliente con la siguiente información adjunta:

1. Modelo y número de serie de la unidad.
2. Descripción precisa del problema ("roto" no es suficiente).
3. Prueba de compra (fotocopia de la factura).
4. Número de autorización de devolución, proporcionado por el representante de atención al cliente.

Antes de ponerse en contacto con el servicio de atención al cliente, tenga en cuenta que la garantía no cubre los elementos siguientes:

Costes de transporte, rotura o impuestos de exportación.

Costes de mano de obra para extracción y reinstalación.

Costes de llamadas de servicio para diagnosticar problemas.

Decoloración de las piezas de acero inoxidable.

Fallo de las piezas por falta de limpieza y mantenimiento, o uso no adecuado de limpiadores (limpiador de hornos).

ES



**FAX TO: 705 727 4282**

## FORMULARIO DE SOLICITUD DE ACCESORIOS Y PIEZAS

ESCRIBA CON LETRA CLARA Y LEGIBLE

**NOMBRE DE CONTACTO:** \_\_\_\_\_

**CORREO ELECTRÓNICO:** \_\_\_\_\_

\_\_\_\_\_

\_\_\_\_\_

\_\_\_\_\_

**TEL.:** \_\_\_\_\_

**FAX :** \_\_\_\_\_

**EMAIL:** \_\_\_\_\_

**Nº DE VISA O MASTERCARD:** \_\_\_\_\_

**FECHA DE CADUCIDAD:** \_\_\_\_\_

**FIRMA:** \_\_\_\_\_

CANTIDAD	NÚMERO DE PIEZA	DESCRIPCIÓN

PUEDE QUE SE APLIQUEN  
IMPUESTOS GASTOS DE ENVÍO

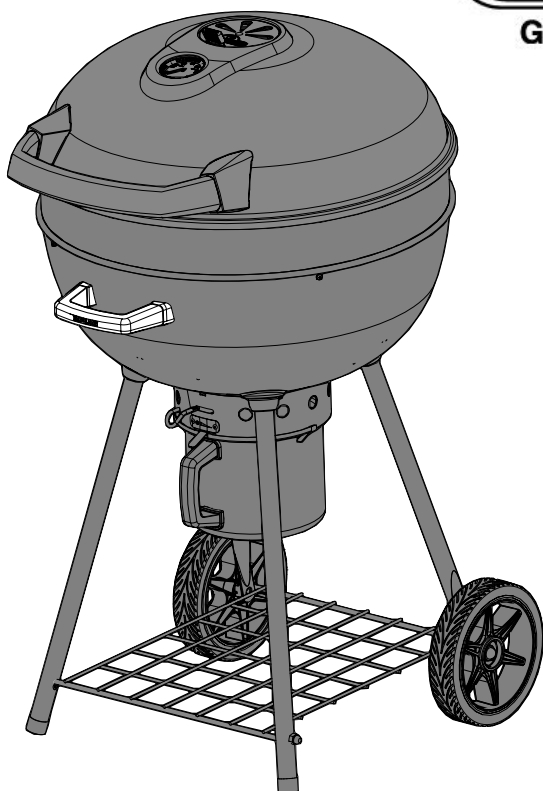
SI REQUIERE CONFIRMACIÓN, INCLUYA UN NÚMERO DE FAX O UNA DIRECCIÓN DE CORREO ELECTRÓNICO

ES

## ИНСТРУКЦИЯ ПО СБОРКЕ И ОБСЛУЖИВАНИЮ

ДАННЫЙ ГРИЛЬ СЛЕДУЕТ ИСПОЛЬЗОВАТЬ ТОЛЬКО ВНЕ ПОМЕЩЕНИЯ В ХОРОШО ПРОВЕТРИВАЕМОМ МЕСТЕ  
ХРАНИТЕ ДАННУЮ ИНСТРУКЦИЮ В КАЧЕСТВЕ СПРАВОЧНОГО МАТЕРИАЛА.

# OUTDOOR CHARCOAL GRILL



RU



### ВНИМАНИЕ

Сначала прочитайте раздел "РОЗЖИГ" данной инструкции, затем приступайте к процедуре розжига.



### ОПАСНОСТЬ

В процессе горения древесного угля вырабатывается углекислый газ. Не разжигайте древесные угли дома, в гараже, палатках, автомобиле или другом замкнутом пространстве.



**ВНИМАНИЕ!** Несоблюдение данных указаний может привести к тяжёлым травмам или смерти.

Napoleon Appliance Corp.,

214 Bayview Dr., Barrie, Ontario, Canada L4N 4Y8 Phone: 1-866-820-8686

Fax: (705)725-2564 email: [wecare@napoleonproducts.com](mailto:wecare@napoleonproducts.com) web site: [www.napoleongrills.com](http://www.napoleongrills.com)

## БЛАГОДАРИМ ЗА ВЫБОР ПРОДУКЦИИ ТОРГОВОЙ МАРКИ NAPOLEON

Продукция торговой марки NAPOLEON изготовлена из высококачественных компонентов и материалов и собирается квалифицированными специалистами, которые гордятся своей работой. Перед упаковкой и отгрузкой квалифицированные сотрудники провели тщательный осмотр гриля, чтобы убедиться в том, что Вы, потребитель, получите качественную продукцию, которую и ожидаете от компании Napoleon. Наши усилия направлены на удовлетворение Ваших потребностей, наш многоуважаемый клиент. Наша цель – обеспечить Вас всеми необходимыми предметами для забываемого опыта использования гриля. Данное руководство обеспечит вас информацией по сборке, установке, ремонту и надлежащему уходу за грилем. Перед началом эксплуатации вашего нового гриля необходимо полностью прочитать данное руководство и изучить меры предосторожности и отличительные черты, которыми обладает гриль. Тщательное соблюдение данных инструкций гарантирует исправную работу гриля на долгие годы. Если данная продукция по каким-либо причинам не отвечает вашим требованиям, пожалуйста, свяжитесь с нашим отделом по работе с клиентами по телефону 1-866-820-8686 с 9:00 до 17:00 (североамериканское восточное время) или посетите наш веб-сайт по адресу [www.napoleongrills.com](http://www.napoleongrills.com).



## ОГРАНИЧЕННАЯ ПОЖИЗНЕННАЯ ГАРАНТИЯ ГРИЛЯ NAPOLEON

NAPOLEON гарантирует отсутствие в Вашем новом гриле NAPOLEON дефектов материала и изготовления в течение всего времени пользования грилем. Данная гарантия распространяется на опору с керамическим покрытием, крышку с керамическим покрытием и ручки крышки на следующих условиях: в течение первых десяти лет NAPOLEON по своему усмотрению бесплатно обеспечивает вас запасными деталями. С одиннадцатого года эксплуатации NAPOLEON предоставляет запасные детали по стоимости, составляющей 50% от текущей розничной цены.

На такие элементы как боковые полки, ножки тележек, панели тележек также распространяется гарантия, и NAPOLEON предоставит бесплатные запасные детали в течение первых пяти лет ограниченной гарантии.

На все другие детали, включая решётки для приготовления пищи, отражатель, зольник, указатель температуры, колеса, фиксаторы и аксессуары, также распространяется гарантия, и NAPOLEON предоставит бесплатные запасные детали в течение первого года ограниченной гарантии.

NAPOLEON не берёт на себя расходы на транспортировку, проведение работ или экспортные сборы.

## УСЛОВИЯ И ОГРАНИЧЕНИЯ

NAPOLEON гарантирует выполнение гарантийных обязательств первоначальному покупателю при условии, что покупка была проведена через уполномоченного поставщика NAPOLEON и подпадает под действие условий и ограничений, указанных далее:

Заводская гарантия не подлежит передаче другому лицу и не может быть продлена представителями.

Гриль должен быть установлен лицензированным, уполномоченным специалистом. Установка должна проводиться в соответствии с указаниями инструкции, входящей в комплект, и всеми местными и государственными нормами и правилами, а также требованиями пожарной безопасности.

Настоящая ограниченная гарантия не покрывает убытков, понесённых вследствие неправильного использования, недостаточного ухода, пожара, возникшего от возгорания жира на гриле, неблагоприятных условий окружающей среды, халатности, неправильной эксплуатации установленных деталей, использования неподходящих деталей.

Настоящая ограниченная гарантия также не распространяется на царапины, вмятины, изменение цветового покрытия от жара, абразивной и химической очистки поверхностей, откалывание керамической эмали или других элементов, использующихся при установке гриля.

Замена деталей предоставляется при условии износа деталей до степени потери работоспособности в период действия гарантийного срока.

В первый год эксплуатации данная гарантия распространяется на замену деталей, имеющих заводской брак, при условии, что деталь эксплуатировалась при обычных условиях в соответствии с инструкциями по эксплуатации.

В последующие годы, в соответствии с правилами ограниченной пожизненной гарантии, компания NAPOLEON имеет право по своему усмотрению полностью выполнить свои обязательства, выплатив первоначальному покупателю стоимости бракованных деталей.

NAPOLEON не берет на себя расходов по установке, проведению работ, а также других расходов, связанных с повторной установкой деталей по гарантии, подобные издержки гарантией не покрываются.

Невзирая на любые положения, содержащиеся в ограниченной пожизненной гарантии, ответственность компании NAPOLEON по настоящей гарантии определена выше и ни при каких обстоятельствах не распространяется на косвенные и случайные убытки.

Данная гарантия определяет обязательства и ответственность компании NAPOLEON в отношении гриля NAPOLEON, а действие любых других гарантийных обязательств, как прямых, так и косвенных, в отношении производимой продукции, деталей или аксессуаров исключается.

NAPOLEON не уполномочивает третьих лиц брать на себя любые другие обязательства в отношении продаж данной продукции.

NAPOLEON не берёт на себя ответственности за выбросы пламени, обусловленные внешними условиями, такими как сильный ветер или недостаточная вентиляция.

Гарантия NAPOLEON не распространяется на ущерб, нанесённый неблагоприятными погодными условиями, градом, ненадлежащим обращением и химической очисткой.

Для предъявления претензий по гарантии NAPOLEON необходимо приложить к претензии чек на проданный товар или его копию, вместе с серийным номером и номером модели гриля.

NAPOLEON оставляет за собой право проведения осмотров продукции и деталей силами представителей компании.

NAPOLEON не берёт на себя расходы по перевозке, проведению работ или уплате экспортных сборов.



**ВНИМАНИЕ!** Несоблюдение данных указаний может привести к ущербу частной собственности, травмам или смерти. Прочитайте и следуйте всем предупреждениям и указаниям, данным в инструкции.

## Меры предосторожности

- Полностью прочитайте инструкцию перед тем, как приступить к эксплуатации газового гриля.
- В устройство гриля не должно вноситься никаких изменений или модификаций.
- Тщательно следуйте указаниям по розжигу во время эксплуатации гриля.
- Не разжигайте древесный уголь при закрытой крышке.
- Не наклоняйтесь над грилем во время розжига.
- Не пользуйтесь бензином, алкоголем или другой легковоспламеняющейся жидкостью для древесных углей. Для розжига древесных углей подходит ТОЛЬКО жидкость для розжига древесных углей. Убедитесь, что любые жидкости, находящиеся в гриле, были удалены к моменту розжига древесного угля.
- Не добавляйте жидкость для розжига древесных углей на горячие или даже тёплые угли.
- До и после применения ёмкость, в которой хранится жидкость для розжига древесных углей, должна быть плотно закупорена и храниться на расстоянии не менее 25 футов (7,6 м) от гриля.
- Не допускайте нахождения детей и домашних животных вблизи гриля, НЕ позволяйте детям забираться внутрь корпуса.
- Не оставляйте работающий гриль без присмотра.
- Не перемещайте гриль во время эксплуатации.
- Данный газовый гриль не должен устанавливаться в или на жилых автофургонах и / или лодках.
- Гриль должен эксплуатироваться исключительно вне помещения, в хорошо проветриваемом месте, запрещена эксплуатация внутри здания, гаража, под навесом или в любом другом замкнутом пространстве.
- Сохраняйте дистанцию между грилем и горючими материалами 5 футов (1,5 м) со всех сторон. Сохраняйте дистанцию между грилем и виниловой обивкой или оконными рамами. Запрещено пользоваться грилем на легко воспламеняющихся поверхностях (деревянных или композитных настилах или террасах).
- Все вентиляционные отверстия гриля должны содержаться в чистоте.
- Запрещена эксплуатация установки, расположенной под какой либо конструкцией, сделанной из воспламеняющихся материалов.
- Запрещена эксплуатация установки, расположенной под какой либо крытой конструкцией типа крыши, навеса, козырька или навеса для автомобиля.
- Располагайте гриль таким образом, чтобы он был защищён от ветра. Сильный ветер негативно сказывается на кулинарных показателях гриля.
- Во время прогрева надлежит закрывать крышку.
- Зольник или поднос для жира должны быть на месте во время эксплуатации гриля.
- Следует проводить регулярную чистку подноса и зольника во избежание скопления жира, которое может послужить причиной пожара, возникшего от возгорания жира на гриле.
- Не храните зажигалки, спички и любые другие горючие материалы на боковых полках.
- Гриль должен всегда располагаться на ровной поверхности.
- Не пользуйтесь водой для тушения углей, так как это может повредить покрытие гриля.
- Для борьбы с выбросами пламени следует закрывать вентиляционные отверстия вашего гриля. Для тушения угля / огня полностью закройте вентиляционные отверстия и крышку.
- Пользуйтесь подходящими инструментами на длинных, жаростойких ручках.
- Во время эксплуатации установки обязательно использование прихваток / рукавиц.
- Не извлекайте зольник, пока весь уголь полностью не выгорел и не потух. Дайте грилю остыть.
- Оставшиеся угли и золу поместите в контейнер из огнеупорного металла. Оставьте угли в контейнере на 24 часа, затем их можно утилизировать.
- Держите кабели электропитания вдали от воды или нагретых поверхностей.
- Закон 65 штата Калифорния: В результате горения древесного угля выделяются вещества, некоторые из которых, согласно закону штата Калифорния, относятся к веществам, которые могут вызвать рак или опасность для репродуктивного здоровья. При приготовлении пищи на древесном угле всегда обеспечивайте надлежащую вентиляцию установки для устранения воздействия вредных веществ.

## Указания по розжигу



### Потребление древесного угля

Диаметр гриля	Способ приготовления пищи	Рекомендуемое количество древесного угля
22" (56 см)	Прямой способ приготовления	50
22" (56 см)	Непрямой способ приготовления	25 с каждой стороны *(добавьте еще по 8 с каждой стороны за каждый дополнительный час приготовления пищи)

\*Рекомендации по потреблению древесного угля являются приблизительными, более длительное приготовление пищи требует большего количества древесных углей. Если погода холодная или ветреная, придётся добавить больше брикетов для достижения необходимой температуры приготовления пищи.



RU

**ВНИМАНИЕ!** Открытая крышка.

**ВНИМАНИЕ!** Установите гриль вне помещения на твёрдой, ровной и невоспламеняющейся поверхности. Не пользуйтесь грилем на деревянных или других воспламеняющихся поверхностях.

**ВНИМАНИЕ!** Не наклоняйтесь над грилем при розжиге древесного угля.

**ВНИМАНИЕ!** Зольник должен находиться на месте во время розжига и во время эксплуатации.

ПРЯМОЙ СПОСОБ ПРИГОТОВЛЕНИЯ	НЕПРЯМОЙ СПОСОБ ПРИГОТОВЛЕНИЯ
1. Полностью откройте вентиляционные отверстия, расположенные на крышке и опоре гриля. Снимите крышку и извлеките решётку для приготовления пищи.	1. Полностью откройте вентиляционные отверстия, расположенные на крышке и опоре гриля. Снимите крышку и извлеките решётку для приготовления пищи.
2. Убедитесь, что зола была удалена из зольника, и он был возвращён на место.	2. Убедитесь, что зола была удалена из зольника, и он был возвращён на место.
3. Гриль можно использовать как с, так и без, центрального отражателя воздуха. Отражатель обеспечивает более равномерную температуру и замедляет скорость сгорания угля в центре гриля. Используйте либо устройство для розжига древесных углей Ultrachef (не входит в комплект), следуя рекомендациям, расположенным в инструкции, либо поместите более легкие угли или скомканный кусок газеты на отражатель воздуха и рядом с ним. Поместите древесные угли в конусообразную кучку в центре установки на газете или на кубиках для розжига.	3. Снимите центральный отражатель воздуха и установите поддон. Поместите опциональные корзинки для древесного угля на поддон. Используйте либо устройство для розжига древесных углей Ultrachef (не входит в комплект), следуя рекомендациям, расположенным в инструкции, либо поместите кубики для розжига или скомканный кусок газеты в корзинку для древесного угля. Поместите древесные угли в корзинки на газету или на кубики для розжига.
4. Разожгите газету или кубики для розжига. Как только угли разгорелись, закройте гриль крышкой и позвольте древесным углям прогореть до образования тонкого слоя серой золы (примерно 20 минут).	4. Разожгите газету или кубики для розжига. Как только угли разгорелись, закройте гриль крышкой и позвольте древесным углям прогореть до образования тонкого слоя серой золы (примерно 20 минут).
5. Равномерно распространите древесные угли по поверхности решётки жаростойкими щипцами на длинной рукояти (включая центральный отражатель воздуха).	





Жидкость для розжига можно использовать для розжига углей, но это не является лучшим способом. Может привести к образованию грязи и придать пище химический привкус, если жидкость не прогорит полностью во время прогрева. Когда угли разгорятся, добавлять жидкость для розжига не нужно. Храните ёмкость с жидкостью для розжига на расстоянии не менее 25 футов (7,6 м) от работающего гриля.

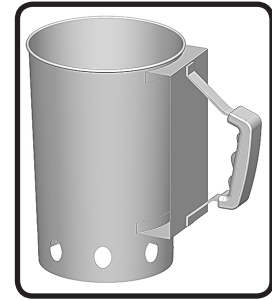


### Практика безопасной эксплуатации устройства для розжига древесных углей

#### **ВНИМАНИЕ!**

- Только для эксплуатации вне помещения.
- Используйте устройство для розжига древесных углей, только если оно установлено на решётке для углей, а гриль находится вне помещения на твёрдой, ровной и невоспламеняющейся поверхности.
- Ставьте устройство для розжига древесных углей на воспламеняющиеся поверхности только после его полного охлаждения.
- Не пользуйтесь жидкостью для розжига, бензином или самовоспламеняющимся древесным углём в устройстве для розжига древесных углей.
- Пользуйтесь устройством для розжига древесных углей только по назначению.
- Всегда используйте защитные перчатки при работе с устройством для розжига древесных углей.
- Не допускайте нахождения детей и домашних животных вблизи устройства для розжига древесных углей.
- Не пользуйтесь устройством для розжига древесных углей при сильном ветре.
- Не оставляйте работающее устройство для розжига древесных углей без присмотра.
- Не наклоняйтесь над устройством для розжига древесных углей во время розжига.
- Пользуйтесь устройством для розжига древесных углей только по назначению. Не пользуйтесь устройством для розжига древесных углей для приготовления пищи.
- Высыпать горящие угли из устройства для розжига древесных углей нужно с особой осторожностью.

#### РОЗЖИГА ДРЕВЕСНЫХ УГЛЕЙ



#### Эксплуатация устройства для розжига древесных углей

- Переверните устройство для розжига древесных углей вверх дном.
- Скомкайте два газетных листа и заполните ими днище устройства для розжига древесных углей.
- Переверните устройство для розжига древесных углей и поставьте его в центре решётки для углей.
- Засыпьте подходящее количество древесных углей, но не переполните устройство.
- Зажгите спичку и поднесите её к одному из вентиляционных отверстий, расположенных у днища для розжига газеты.
- Когда верхний слой угля покроется тонким слоем серой золы, аккуратно высыпьте горящие древесные угли на решётку для углей (прямой способ приготовления) или в корзинку для древесного угля (непрямой способ приготовления).
- Как только горящие угли оказались в гриле, равномерно распространите древесные угли по поверхности решётки жаростойкими щипцами на длинной рукоятки.

## Руководство по приготовлению пищи на древесных углях.

Приготовление пищи на древесных углях – проверенный временем метод. Тлеющие брикеты испускают инфракрасное излучение на приготавливаемую пищу, практически не подсушивая её. Все соки или масла, стекающие с приготавливаемой пищи, падают на угли и мгновенно испаряются, придавая пище незабываемый аромат. Факт налицо - гриль на древесных углях Napoleon обеспечивает приготовление наиболее сочных, вкусных стейков, гамбургеров и других блюд. Информация, касающаяся советов и времени приготовления, расположена в таблице приготовления пищи на древесных углях.

Таблица приготовления пищи, приведенная ниже, дает только общие рекомендации. На время приготовления влияют такие факторы, как высота над уровнем моря, температура окружающего воздуха, скорость и направление ветра, желаемое состояние готовности пищи. Пользуйтесь термометром для проверки готовности пищи.

### Таблица приготовления пищи на древесных углях

Блюдо	Прямой / не прямой жар	Время приготовления	Полезные рекомендации
Стейк толщина - 1 дюйм (2,54 см)	Прямой жар	6-8 минут – средняя прожарка	При выборе мяса для гриля спрашивайте мраморное мясо с особым распределением жира. Жир применяется для смягчения мяса во время приготовления и помогает сохранять мясо сочным.
Гамбургер толщина - 1/2 дюйма (1,27 см)	Прямой жар	6-8 минут – средняя прожарка	Приготовление гамбургеров на заказ стало легче благодаря изменению толщины котлет. Для добавления мясу экзотического оттенка подбросьте опилок орешника на древесные угли.
Кусочки куриного мяса	Прямой жар примерно по 2 минуты с каждой стороны. Непрямой жар - оставшиеся 18 – 20 минут	20-25 минут	Нарезайте мясо с очищенной от кожи стороны на 3/4 от общего обхвата ноги, для более равномерного распределения мяса на гриле. Это позволяет готовить быстрее и более равномерно. Для добавления мясу фирменного вкуса подбросьте опилок мескита на древесные угли.
Свинья отбивная	Прямой жар	10-15 минут	Отрежьте лишний жир перед приготовлением. Чтобы мясо получилось более мягким, выбирайте куски потолще.
Свинные ребрышки	Прямой жар - примерно на 5 минут Непрямой жар – оставшееся время	1,5 - 2 часа часто переворачивать	Выбирайте более мясистые и нежирные ребрышки. Жарьте на гриле, пока мясо не будет с легкостью отделяться от костей.
Отбивные из молодой баранины	Прямой жар	25 - 30 минут	Отрежьте лишний жир перед приготовлением. Чтобы мясо получилось более мягким, выбирайте куски потолще.
Хот-доги	Прямой жар	4 - 6 минут	Выбирайте сосиски больших размеров. Перед приготовлением очистите от кожуры.

## Рекомендации по приготовлению пищи

**Первоначальный розжиг:** При включении гриля в первый раз, присутствует слабый запах. Это обычное, временное явление, вызванное выжиганием внутренней краски и смазочных веществ, использованных при производстве, которое не случится повторно. Оставьте горелки включенными примерно на 30 минут, открыв крышку и вентиляционные отверстия, расположенные на опоре.

**Эксплуатация гриля:** Мы рекомендуем предварительно прогреть гриль, оставив работающий гриль при закрытой крышке приблизительно на 20 минут. Древесные угли готовы к приготовлению пищи, когда их покрывает слой серой золы. Пищу, которая готовится быстро (рыба, овощи), можно жарить при открытой крышке. Готовка при закрытой крышке обеспечивает более высокую температуру в гриле, что уменьшает время готовки и позволяет прожаривать мясо более равномерно. Для приготовления блюд из постного мяса, например куриной грудки или постной свинины, смазывайте решетку небольшим количеством масла перед нагреванием, чтобы избежать пригорания продуктов. Приготовление мяса с большим содержанием жира может привести к воспламенению стекающего жира. Чтобы этого избежать, отрежьте жир или уменьшите температуру. При воспламенении стекающего жира уберите приготавливаемую пищу с огня и уменьшите температуру (прикройте вентиляционные отверстия). Крышку держите открытой.

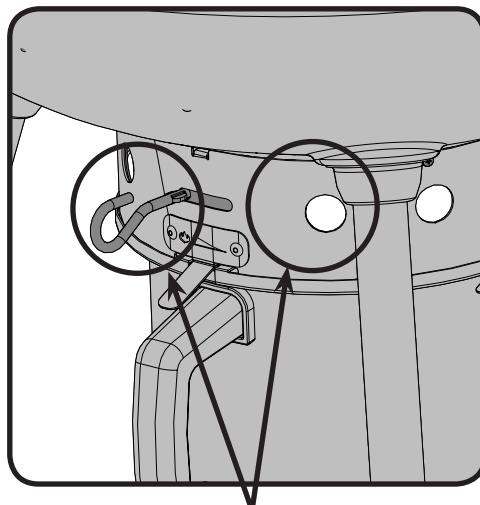
**Как правило, 50 брикетов хватает на приготовление 2 фунтов (1 кг) пищи. Если приготовление пищи длится более 30 – 40 минут, следует добавить брикетов. Если погода холодная или ветреная, придётся добавить больше брикетов для достижения необходимой температуры приготовления пищи.**

**Добавление древесных углей во время приготовления пищи:** Будьте осторожны во время добавления древесных углей во время приготовления пищи. При контакте свежего воздуха с углями может произойти выброс пламени. Отойдите на безопасное расстояние и воспользуйтесь жаростойкими щипцами на длинной рукоятки для добавления брикетов из древесного угля. С обеих сторон решётки для приготовления пищи расположены заслонки, предоставляющие доступ к решётке для древесного угля.

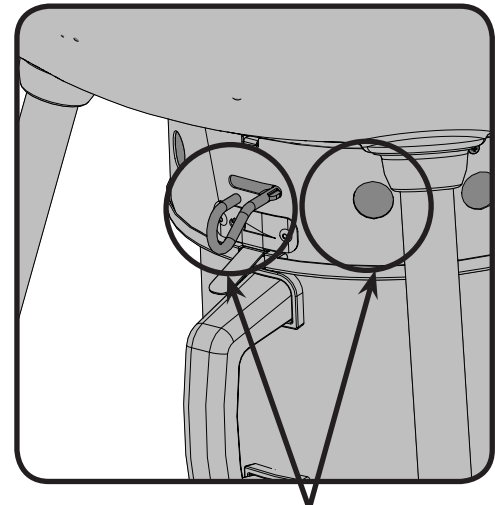


**ВНИМАНИЕ!** Не добавляйте жидкость для розжига древесных углей на горячие или тёплые угли. После того, как угли загорелись, жидкость для розжига древесных углей уже не нужна.

**Эксплуатация вентиляционных отверстий:** Убедитесь, что вентиляционные отверстия, расположенные на крышке, пропускают в гриль воздух. Кислород увеличивает температуру горения углей. Можно регулировать уровень температуры гриля, открывая или закрывая вентиляционные отверстия. Полное закрытие вентиляционных отверстий поможет потушить угли. Не закрывайте вентиляционные отверстия полностью, за исключением случаев, когда вы пытаетесь снизить температуру или потушить пламя.



**Открытое  
вентиляционное  
отверстие**



**Закрытое  
вентиляционное  
отверстие**



## Меры предосторожности после использования гриля

**ВНИМАНИЕ!** Для защиты себя и своей собственности внимательно прочитайте и выполняйте следующие меры предосторожности.

- Закройте крышку гриля и все вентиляционные отверстия для тушения огня.
- Перед перемещением гриля позвольте ему окончательно остыть.
- Не оставляйте работающий гриль без присмотра. Перед перемещением установки убедитесь, что угли и зола окончательно потушены.
- Воспользуйтесь лопаткой или ковшом для удаления оставшихся углей и золы. Поместите их в контейнер из огнеупорного металла и залейте водой. Оставьте угли в контейнере на 24 часа, затем их можно утилизировать.

## Инструкции по техническому обслуживанию/ чистке

Рекомендуем опорожнять зольник / поддон после каждого использования.



**ВНИМАНИЕ!** Перед тем как приступить к демонтажу деталей убедитесь, что гриль остыл и все угли окончательно потушены.



**ВНИМАНИЕ!** При чистке гриля всегда надевайте защитные перчатки и очки.



**ВНИМАНИЕ!** При чистке деталей гриля не пользуйтесь установками для мытья под давлением.



**ВНИМАНИЕ!** Во избежание ожогов надлежит проводить работы по уходу за грилем только после того, как он полностью остыл. Не дотрагивайтесь до горячих поверхностей.

Чистите гриль там, где чистящие средства не нанесут вреда настилу, газону или террасе. Не пользуйтесь моющими средствами для духовки для чистки любых деталей гриля. Не пользуйтесь самоочищающейся духовкой для чистки решёток для приготовления пищи или других деталей гриля. Соус для барбекю и соль обладают коррозионными свойствами, способствующими образованию ржавчины, поэтому следует регулярно проводить чистку деталей гриля.

RU

**Решётки и нагревательная подставка:** Решётки и нагревательную подставку лучше всего чистить латунной проволочной щёткой во время подогрева гриля. Стальную проволочную щётку можно использовать для удаления наиболее трудных пятен.

**Чистка гриля изнутри:** Снимите решётки для приготовления пищи. Удалите остатки с боков котла и внутренней стороны крышки латунной проволочной щёткой. Для надлежащей чистки заслонки следует воспользоваться шпателем или скребком, затем удалить золу латунной проволочной щёткой. При желании можно вымыть внутреннюю поверхность гриля мягким моющим средством и водой. После следует ополоснуть гриль водой и вытереть насухо.



**ВНИМАНИЕ!** Скопившийся жир представляет угрозу пожара. Регулярно чистите поддон во избежание скопления жира.

**Зольник / поддон:** Зола и капли жира проходят через зольник / поддон, расположенные под грилем, и скапливаются на древесном угле. Для проведения уборки отодвиньте поддон. Не выстилайте поддон алюминиевой фольгой, песком или другим материалом, так как это может помешать свободному перемещению жира. Для надлежащей чистки поддона следует воспользоваться шпателем или скребком, затем удалить золу латунной проволочной щёткой. Вымойте зольник / поддон мягким моющим средством и водой. После следует ополоснуть детали водой и вытереть насухо.

**Чистка поверхности гриля:** Не пользуйтесь абразивными чистящими средствами или стальную проволочную щётку для чистки керамических деталей или деталей из нержавеющей стали гриля Napoleon. Подобные методы уборки повреждают покрытие. Внешние поверхности гриля надлежит чистить тёплой мыльной водой, пока металл еще не окончательно остыл. Для чистки нержавеющей поверхностей пользуйтесь чистящим средством для нержавеющей стали или неабразивным чистящим средством. Всегда вытирайте поверхность по направлению зерен. Со временем детали из нержавеющей стали теряют окраску и приобретают золотой или коричневый оттенок. Потеря цвета не влияет на работоспособность гриля. Обращайтесь с деталями с керамической эмалью с особой осторожностью. Глазурованное декоративное покрытие, закреплённое горячей сушкой, напоминает стекло, и от удара может расколоться. При необходимости, Napoleon производит ремонт керамического покрытия.

## Поиск и устранение неисправностей

Неисправность	Возможная причина	Способ устранения неисправности
Низкий уровень температуры / пламени.	Ненадлежащий прогрев	Позвольте древесным углям гореть, пока их не будет покрывать слой серой золы. (примерно 20 – 25 минут).
	Ненадлежащий обдув.	Откройте вентиляционные отверстия.
	Недостаточно древесного угля.	Добавьте древесного угля на решётку для угля.
	Крышку открывают слишком часто.	Готовьте при закрытой крышке. При каждом открытии крышки температура падает. Это замедляет процесс приготовления пищи.
Чрезмерные выбросы пламени / неравномерный жар.	Ненадлежащий прогрев.	Проведите прогрев гриля при закрытой крышке в течение 20 - 25 минут и равномерно распределите угли по поверхности решётки.
	Излишки жира и отложения золы на зольнике и поддоне.	Регулярно проводите чистку зольника и поддона. Не выстилайте поддон алюминиевой фольгой. Смотрите раздел по чистке.
Внутри крышки или колпака отслаивается краска.	Скопление жира на внутренних поверхностях.	Это не является дефектом. Покрытие крышки и колпака выполнено из керамики и не может отслоиться. Затвердевший жир принимает формы, похожие на куски отслаивающейся краски. Легко устраняется обычной чисткой. Смотрите указания по чистке.

## Краткие сведения о приготовлении пищи на древесных углях

### Розжиг вашего гриля

- Перед первым приготовлением пищи на гриле позвольте ему работать на протяжении 30 минут при открытой крышке и открытых вентиляционных отверстиях, расположенных на опоре. Это выжжет внутреннюю краску и смазочные вещества, использованные при производстве.
- Полностью открывайте вентиляционные отверстия, расположенные на крышке, при каждом розжиге гриля.
- Убедитесь в том, что зола была удалена из зольника и зольник был возвращён на место.
- Гриль можно использовать как с, так и без, центрального отражателя воздуха. Отражатель обеспечивает более равномерную температуру и замедляет скорость сгорания угля в центре гриля.
- Используйте либо устройство для розжига древесных углей Ultrachef (не входит в комплект), следуя рекомендациям инструкции, либо поместите более легкие угли или скомканный кусок газеты на отражатель воздуха и рядом с ним. Поместите древесные угли в конусообразную кучку в центре установки (прямой способ приготовления) или в дополнительную корзинку для древесного угля (непрямой способ приготовления).
- Как только угли разгорелись, закройте гриль крышкой и позвольте древесным углям прогореть до образования тонкого слоя серой золы (примерно 20 минут), распространите древесные угли по поверхности решётки в соответствии с методом приготовления пищи.
- Жидкость для розжига можно использовать для розжига углей, но это не является лучшим способом. Может привести к образованию грязи и придать пище химический привкус, если жидкость не прогорит полностью во время прогрева. Как только угли разгорелись, добавлять жидкость для розжига не нужно. Храните ёмкость с жидкостью для розжига на расстоянии не менее 25 футов (7,6 м) от работающего гриля.
- Дополнительный аромат дыма приобретается при применении древесных щепок, которые в ассортименте предложит ваш дилер компании Napoleon.

### Приготовление пищи на вашем гриле

- Мы рекомендуем предварительно прогреть гриль, оставив работающий гриль при закрытой крышке приблизительно на 20 минут. Древесные угли готовы к приготовлению пищи, когда их покрывает слой серой золы.
- Как правило, 50 брикетов хватает на приготовление 2 фунтов (1 кг) пищи. Если приготовление пищи длится более 30 – 40 минут, следует добавить брикетов. Если погода холодная или ветреная, придётся добавить больше брикетов для достижения необходимой температуры приготовления пищи.
- Будьте осторожны во время добавления древесных углей во время приготовления пищи. При контакте свежего воздуха с углями может произойти выброс пламени. Отойдите на безопасное расстояние и воспользуйтесь жаростойкими щипцами на длинной рукоятки для добавления брикетов из древесного угля.
- Убедитесь, что вентиляционные отверстия, расположенные на крышке, пропускают воздух в гриль. Кислород увеличивает температуру горения углей. Можно регулировать уровень температуры гриля, открывая или закрывая вентиляционные отверстия.
- Готовьте при закрытой крышке. При каждом открытии крышки температура падает. Это увеличивает время приготовления пищи.
- Полное закрытие вентиляционных отверстий поможет потушить угли. Не закрывайте вентиляционные отверстия полностью, за исключением случаев, когда вы пытаетесь снизить температуру или потушить пламя.
- Смазывайте решетку для приготовления небольшим количеством масла перед нагреванием, чтобы избежать пригорания продуктов.
- Пользуйтесь термометром для проверки готовности пищи.

### Чистка гриля

- Закройте крышку гриля и все вентиляционные отверстия для тушения огня.
- Перед перемещением гриля позвольте ему окончательно остыть.
- Не оставляйте работающий гриль без присмотра. Перед перемещением установки убедитесь, что угли и зола окончательно потушены.
- Воспользуйтесь лопаточкой или ковшом для удаления оставшихся углей и золы. Поместите их в контейнер из огнеупорного металла и залейте водой. Оставьте угли в контейнере на 24 часа, затем их можно утилизировать.
- Удалите нежелательные остатки латунной проволочной щёткой с боков котла и под крышкой.
- Вымойте внутреннюю поверхность гриля мягким моющим средством и водой. После следует ополоснуть детали водой и вытереть насухо.
- Обращаетесь с деталями с керамическим покрытием с особой осторожностью. Раскалённое керамическое покрытие достаточно хрупкое и от удара может расколоться. Поставщик гриля Napoleon производит ремонт керамических покрытий.

ХРАНИТЕ ТОВАРНЫЙ ЧЕК КАК ДОКАЗАТЕЛЬСТВО ПОКУПКИ, ПОДТВЕРЖДАЮЩЕЕ ВАШЕ  
ГАРАНТИЙНОЕ СОГЛАШЕНИЕ

## Заказ запасных деталей

Гарантийная информация

МОДЕЛЬ: \_\_\_\_\_

ДАТА ПРИОБРЕТЕНИЯ: \_\_\_\_\_

СЕРИЙНЫЙ НОМЕР: \_\_\_\_\_

(Дайте информацию для упрощения процедуры обработки запроса)

Перед тем как связываться с отделом работы с клиентами, проверьте сайт NAC (расположенный по адресу [www.napoleongrills.com](http://www.napoleongrills.com)) на предмет указаний по более интенсивной чистке, техническому обслуживанию, обнаружению и устранению неполадок и замены деталей. Напрямую свяжитесь с заводом для замены деталей и проведения работ по гарантии. Наш отдел по работе с клиентами работает с 9 до 17 (североамериканское восточное время), с ним можно связаться по телефону 1-866-820-8686 или факсу 1-705-727-4282. Для обработки претензии, пожалуйста, предоставьте следующую информацию:

1. Модель и серийный номер установки.
2. Номер детали и её описание.
3. краткое описание неисправности (например, 'деталь сломалась' не является таковым)
4. Доказательство владения (фотокопия реквизитов).

В некоторых случаях представитель отдела работы с клиентами может попросить вернуть деталь на завод для проведения осмотра перед заменой детали. Данные детали высылаются с предварительной в отдел работы с клиентами со следующей приложенной информацией:

1. Модель и серийный номер установки.
2. Краткое описание неисправности (например, 'деталь сломалась' не является таковым)
3. Доказательство владения (фотокопия реквизитов).
4. Номер разрешения на возврат – предоставляется представителем отдела работы с клиентом.

Перед тем, как связываться с отделом работы с клиентами, пожалуйста, примите к сведению, что на следующие расходы не распространяется гарантия.

- Издержки по перевозке, фрахтовой комиссии или экспортным сборам.
- Оплата работ по демонтажу и установке.
- Оплата звонков в техническую поддержку.
- Потеря окраски деталей из нержавеющей стали.

Неисправность детали, связанная с чисткой и уходом, или использованием ненадлежащих чистящих средств (посудомоечных машин).

RU



ФАКС: 705 727 4282

## ЗАКАЗ АКСЕССУАРОВ И ДЕТАЛЕЙ

ПОЖАЛУЙСТА, ЗАПОЛНЯЙТЕ ПЕЧАТНЫМИ БУКВАМИ

КОНТАКТНОЕ ЛИЦО: \_\_\_\_\_

ГРУЗОПОЛУЧАТЕЛЬ: \_\_\_\_\_

\_\_\_\_\_

\_\_\_\_\_

\_\_\_\_\_

ТЕЛ : \_\_\_\_\_

ФАКС : \_\_\_\_\_

EMAIL: \_\_\_\_\_

VISA ИЛИ MASTERCARD # : \_\_\_\_\_ ДАТА ИСТЕЧЕНИЯ СРОКА ДЕЙСТВИЯ \_\_\_\_\_

ПОДПИСЬ: \_\_\_\_\_

КОЛИЧЕСТВО	НОМЕР ДЕТАЛИ ПО КАТАЛОГУ	НАИМЕНОВАНИЕ

БЕЗ УЧЁТА НАЛОГА  
ДОПОЛНИТЕЛЬНАЯ ПЛАТА ЗА ПЕРЕВОЗКУ

ПРИ НЕОБХОДИМОСТИ ПОДТВЕРЖДЕНИЯ, ПОЖАЛУЙСТА, ПРЕДОСТАВЬТЕ НОМЕР ФАКСА ИЛИ АДРЕС ЭЛЕКТРОННОЙ ПОЧТЫ

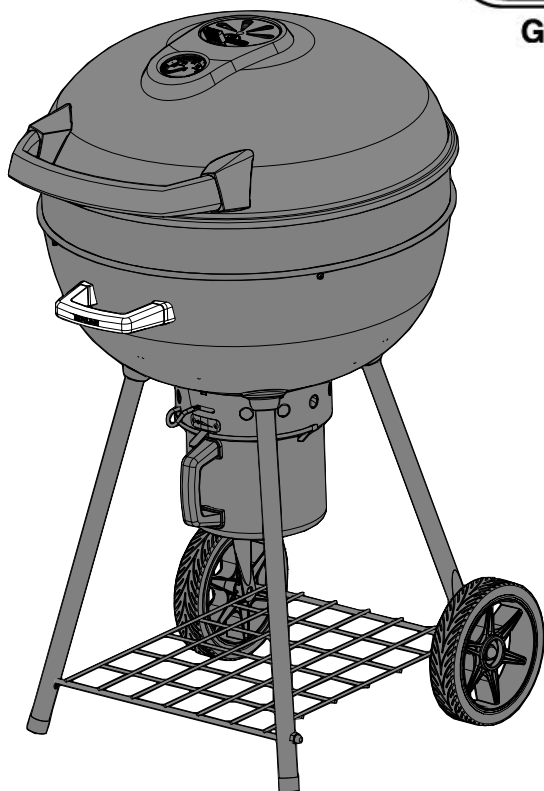
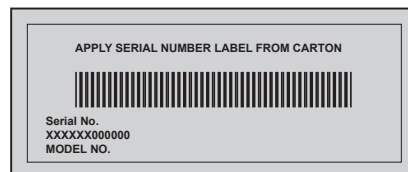
RU



## BRUKS- OCH MONTERINGSANVISNING

DENNA GRILL FÅR ENDAST ANVÄNDAS UTOMHUS I ETT VÄLVENTILERAT UTRYMME  
BEHÅLL DENNA ANVISNING FÖR FRAMTIDA BRUK

# KOLGRILL FÖR UTOMHUSBRUK



**PRO22K-LEG**



### **VARNING**

*Läs noggrant igenom hela anvisningen innan ni börjar använda grillen.*



### **FARA**

*Grillning med kol avger kolmonoxid. Grilla inte med kol/briketter inomhus i garage, tält, fordon eller i annat slutet utrymme.*



**VARNING!** Följs inte denna instruktion exakt kan brand uppstå vilket kan orsaka allvarlig skada.

SE

Napoleon Appliance Corp.,  
214 Bayview Dr., Barrie, Ontario, Canada L4N 4Y8 Phone: 1-866-820-8686  
Fax: (705)725-2564 email: [wecare@napoleonproducts.com](mailto:wecare@napoleonproducts.com) web site: [www.napoleongrills.com](http://www.napoleongrills.com)

## Tack för att du valde NAPOLEON

NAPOLEON produkter är utformade med komponenter och material av högsta kvalitet, fabriksmonterade av vår kunniga personal. Denna grill har inspekteras grundligt av en kvalificerad tekniker innan förpackning och frakt för att du som kund ska få den kvalitetsprodukt du förväntar dig av NAPOLEON.

Som kund är du mycket viktig för oss på Napoleon. Det är vårt mål att förse dig med de verktyg som krävs för en oförglömlig grillupplevelse. Denna manual har vi tagit fram för att hjälpa dig så att din nya grill monteras, installeras, underhålls och vårdas på rätt sätt. Det är viktigt att du läser och förstår hela denna manual innan du använder din nya grill så att du till fullo förstår alla säkerhetsföreskrifter och funktioner din grill har att erbjuda. Genom att noggrant följa dessa anvisningar, kommer du under många år att njuta av bekymmersfri grillning. Om denna produkt av någon anledning inte uppfyller dina förväntningar ber vi dig ta kontakt med din återförsäljare eller kontakta oss direkt på Scandinavisk Spismiljö. [www.napoleongrills.com](http://www.napoleongrills.com).



### NAPOLEON GRILL PRESIDENT'S LIMITED LIFETIME WARRANTY

NAPOLEON lämnar garanti på följande material och utförande i din nya NAPOLEON grill mot defekter så länge du äger grillen. Detta omfattar porslinsmaljerad botten, porslinsmaljerat lock, handtag, med förbehåll för följande villkor: Under de första tio åren kommer NAPOLEON att tillhandahålla reservdelar enligt våra villkor utan kostnad. Från det elfte året till livstid kommer NAPOLEON att tillhandahålla reservdelar till 50% av aktuell prislista.

Komponenter såsom sidohyllor, vagnsben och vagnspaneler täcks också av garantin och dessa delar kommer att ersättas med nya från NAPOLEON utan kostnad under de första fem åren.

Alla andra komponenter inklusive grillgaller, kol/brikettgaller, fördelningsplåt, askbehållare, termometer, hjul, fästen och tillbehör täcks också av garantin och dessa delar kommer att ersättas med nya från NAPOLEON utan kostnad under det första året.

NAPOLEON ansvarar inte för eventuella transportkostnader, kostnader för arbetskraft eller exporttullar.

## VILLKOR OCH BEGRÄNSNINGAR

"NAPOLEON lämnar en garanti mot tillverkningsfel enbart mot den första ägaren (dvs individ eller juridisk person (registrerad kund) vars namn är registrerat på NAPOLEON garanti kort), förutsatt att köpet är gjort genom en auktoriserad återförsäljare av NAPOLEON och uppfyller följande villkor och bestämmelser:"

Denna fabriksgaranti får inte överlåtas och får inte under några omständigheter förlängas av någon av våra representanter.

Installationen måste vara gjord i enlighet med den instruktion som medföljer denna produkt och de bestämmelser som gäller lokalt och nationellt för denna typ av produkter.

Garantin gäller inte skador orsakade av felanvändning, brist på underhåll, eld orsakad av fett, skadlig miljö, olycka, ändringar, våld, försummelse eller montering av delar från andra tillverkare kommer att upphäva garantin.

Vidare täcker inte garantin skrapmärken, bucklor, färg finish, korrosion eller missfärgning pga hetta, slipande eller kemiska rengöringsmedel, frakt av porslinsmaljerade detaljer, ej heller komponenter använda för att installera grillen.

Skulle en del, som täcks av garantin, försämrats så att den upphör att fungera kommer den att ersättas.

Enbart under det första året täcker garantin materialfel eller tillverkningsfel under förutsättning att produkten har använts i enlighet med denna manual och under normala omständigheter.

Efter detta första år, med hänvisning till President's Limited Lifetime Warranty, kommer NAPOLEON efter eget omdöme fullt ut infria sina skyldigheter i enlighet med denna garanti och ersätta original köparen i enlighet med gällande återförsäljarpris för de delar som omfattas av garantin och är felaktiga.

NAPOLEON ansvarar inte för några arbetskostnader eller andra utgifter relaterade till utbytet av garantidel, dylika kostnader täcks inte av garantin.

Trots de villkor som denna garanti innehåller är NAPOLEONS ansvar under denna garanti definierad enligt ovan och kan inte under några förhållanden förlängas pga någon tillfällig eller indirekt skada.

Denna garanti beskriver NAPOLEONS skyldigheter och ansvar med avseende på NAPOLEON grillar och andra garantier yttryckta eller implikerade med denna produkt, dess beståndsdelar eller tillbehör är undantagna.

NAPOLEON tar inte på sig, eller auktoriserar någon tredje part att ta på sig, något annat ansvar i förening med försäljning av denna produkt. NAPOLEON tar inte ansvar för; för hård eldning, att elden slocknar pga yttre omständigheter som stark vind eller otillräcklig ventilation.

NAPOLEON tar inte på sig ansvar för skador på grillen orsakade av väder, hagel, tuff behandling, skadliga kemikalier eller rengöringsmedel.

Vid återopande av NAPOLEON garanti måste fakturan eller kvittot av köpet tillsammans med serienumret och modellnumret visas upp. Garantisedeln måste returneras inom 14 dagar för att registrera garantin eller också kan du registrera on-line på [www.napoleongrills.com](http://www.napoleongrills.com).

NAPOLEON reserverar sig för rätten att låta en representant inspektera en produkt eller del som reklamerats.

NAPOLEON kan inte hållas ansvarig för några transportkostnader, arbetskostnader eller kostnader i samband med export.

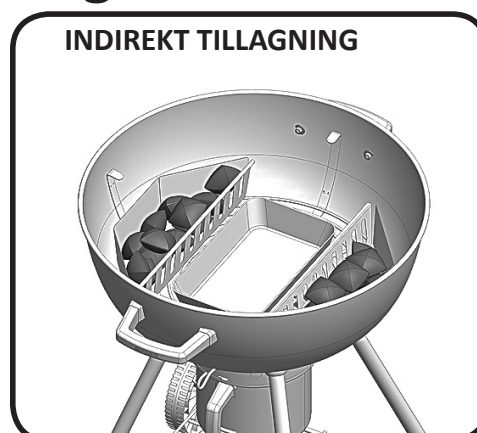


**WARNING!** Om instruktionerna inte efterföljs, kan detta resultera i egendomsskada, personskada eller dödsfall. Läs och följ alla varningar och instruktioner i denna handbok innan grillen används.

## För din säkerhet

- Läs hela bruksanvisningen innan du använder grillen.
- Under inga omständigheter får denna grill modifieras.
- Följ instruktionerna noga om upptändning innan du börjar använda grillen.
- Antänd inte grillkolen med locket stängt.
- Luta dig inte över grillen när du tänder.
- Använd inte bensin, alkohol eller andra lättflyktiga vätskor för att antända kolen. Använd **ENDAST** tändvätska avsedd för grillkol. Se till att ingen överbliven vätska ligger kvar i botten av grillen när du tänder.
- Tändvätska får aldrig sprutas på i efterhand på heta eller ens varma kol.
- Förvara aldrig tändvätska i närheten av grillen, se till att du har ett ordentligt säkerhets-avstånd (min 7,5 m).
- Håll barn och husdjur borta från en het grill.
- Lämna inte grillen utan uppsikt under användning.
- Flytta inte grillen när den är varm eller under drift.
- Denna grill får inte installeras i eller på fritidsfordon och / eller båtar.
- Denna grill får endast förvaras utomhus i ett väl ventilerat utrymme och får inte användas inne i en byggnad, garage, inbyggd altan, lusthus eller annat slutet utrymme.
- Håll rätt avstånd till brännbara material, 1,5 m åt alla sidor. Detta avstånd gäller också platsbeklädnad eller glasrutor. Grillen får inte användas på brännbart underlag (trä eller kompositdäck eller verandor).
- Håll alltid ventilationsöppningar i kåpan fria från skräp.
- Använd inte grillen under några utskjutande tak som taktäckningar, carportar, markiser eller annat överhäng av brännbart material.
- Placera inte grillen på en plats utsatt för vind. Kraftig vind kan påverka tillagningens prestanda negativt.
- Locket ska vara stängt under uppvärmning.
- Ask- droppbehållare måste finnas på plats när du använder grillen.
- Rengör ask/droppbehållaren regelbundet, en fettpåbyggnad kan leda till att fett tar eld.
- Använd inte sidohyllan för att förvara tändare, tändstickor eller andra brännbara ämnen.
- Grillen ska stå på plan mark hela tiden.
- Använd inte vatten för att kontrollera uppflammande lågor eller för att släcka kol, eftersom det kan skada finishen på din grill.
- För att kontrollera uppflammande lågor, skjut till ventilerna på din grill. För att helt släcka grill kolen / brand, stäng alla ventiler och locket helt.
- Använd rätt grillverktyg med långa, värmetåliga handtag.
- Använd grillvantar eller grytlappar för att skydda händerna under matlagning eller när du justerar ventilerna.
- Ta inte bort askan från grillen innan allt kol är helt utbränd och helt släckt. Ge grillen gott om tid att svalna.
- Återstående kol och aska skall avlägsnas från grillen och förvaras i en obrännbar behållare av metall. Släng inte innehållet förrän tidigast ett dygn efter användning.
- Håll elsladdar borta från vatten eller heta ytor.

## Instruktioner för tändning



### Åtgång grillbriketter

Grillens diameter	Tillagningsmetod	Rekommenderad brikettmängd
22" (56cm)	Direkt tillagning	50
22" (56cm)	Indirekt tillagning	25 per sida *(lägg till 8 briketter per sida för varje extra timme av tillagning)

\* Rekommenderade antal briketter är ungefärliga, en längre tillagningstid kräver fler briketter. Likaså krävs fler briketter vid kallare och blåsigare väderlek för att uppnå en ideal tillagnings temperatur.



**WARNING!** Öppna locket

**WARNING!** Placera grillen utomhus på en stabil, jämn och obrännbar yta. Använd aldrig grillen på en träyta eller annan yta som kan börja brinna.

**WARNING!** Luta dig inte över grillen när du tänder den.

**WARNING!** Askbehållaren måste vara på plats vid upptändning och under användning.

DIREKT TILLAGNINGSMETOD	INDIREKT TILLAGNINGSMETOD
1. Öppna ventilen på locket och i botten fullt. Lyft locket och ta bort grillgallret.	1. Öppna ventilen på locket och i botten fullt. Lyft locket och ta bort grillgallret.
2. Se till att askbehållaren är rensad från gammal aska och sätt tillbaka den på plats.	2. Se till att askbehållaren är rensad från gammal aska och sätt tillbaka den på plats.
3. Grillen kan användas antingen med eller utan värmefördelningsplåten. Värmefördelningsplåten ser till att det blir en jämnare temperatur och fördelar intensiteten i mitten av grillen. Använd antingen en Ultrachef skorstenståndare (ingår ej) enligt särskild instruktion i manualen eller placera upptändningskuddar eller lätt skrynkade tidningspapper på och runt värmefördelningsplåten. Placera grillkol/briketter i en konformad hög i mitten av grillen på tidningspappret eller upptändningskuddarna.	3. Ta bort värmefördelningsplåten och sätt dit en droppskål. Placera dit extra grillkolskorgar (tillval) på vardera sidan om droppskålen. Använd antingen en Ultrachef skorstenståndare (ingår ej) enligt särskild instruktion i manualen eller placera upptändningskuddar eller lätt skrynklat tidningspapper i grillkolskorgarna.  Placera grillkol i korgarna på tidningen eller upptändningskuddarna.
4. Tänd tidningen eller kuddarna. När det brinner, stäng locket och låt grillkolen brinna tills dom är täckta av en ljusgrå aska (ca 20 minuter).	4. Tänd tidningen eller kuddarna. När det brinner, stäng locket och låt grillkolen brinna tills dom är täckta av en ljusgrå aska (ca 20 minuter).
5. Använd verktyg med långa värmefåliga handtag, sprid kolen till att jämnt täcke över hela gallret (inklusive värmefördelningsplåten).	

SE



Tändvätska kan användas för att tända grillkol, men det är inte den bästa metoden. Det kan vara kladdigt och kan lämna en kemisk smak på maten som inte helt bränns bort före tillagning. Om du använt tändvätska, spruta aldrig på mer efter tändning. Förvara flaskan minst 7,5 m från grillen vid användning.

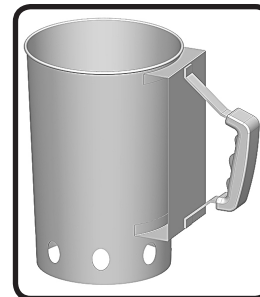


### **Säkerhetsanvisning för grillkolständare**

#### **VARNING!**

- För användning utomhus.
- Använd inte grillkolständare om det inte placeras på ett fast, plant kolgaller och kolgrillen på ett fast, plant, icke brännbart underlag.
- Placera inte grillkolständaren på en brännbar yta om den inte är helt kall.
- Använd aldrig tändvätska, bensin eller annan antändlig vätska i grillkolständaren.
- Använd endast grillkolständare för att tända grillkol i din kolgrill.
- Använd alltid grillvantar vid hantering av grillkolständaren.
- Håll barn och husdjur borta från grillkolständaren hela tiden.
- Använd inte grillkolständaren i hård vind.
- Lämna inte grillkolständaren obevakad under användning.
- Luta dig inte över grillkolständaren vid upptändning.
- Använd aldrig grillkolständaren för annat än avsett ändamål. Använd inte grillkolständaren för att tillaga mat.
- Var mycket försiktig när du håller glödande kol ur grillkolständaren.

**GRILLKOLSTÄNDARE**



### **Användning av grillkolständare**

- Vänd grillkolständaren upp och ner.
- Ta två tidningssidor och skrynkla ihop och stoppa dem i botten av grillkolständaren.
- Vänd grillkolständaren och placera den i mitten av grillkolsgallret.
- Lägg i lämplig mängd grillkol, men överfyll den inte.
- Tänd en tändsticka och sätt i ett av de nedre luftintagen för att tända tidningen.
- När översta lagret av kol har en ljus beläggning av grå aska är kolen färdiga att hälla över på grillkolsgallret, använd grillvantar. Håll försiktigt de glödande kolen direkt på gallret (direkt matlagningss metod) eller placera kolen i korgarna (indirekta metoden).
- Sprid ut de glödande kolen jämnt med hjälp av en tång med långt, värmetåligt handtag.

**SE**

## Tillagnings guide för grillning

Att grilla med träkol är det traditionella sättet vi känner till. De glödande kolen avger infraröd energi till maten som tillagas med mycket liten uttorkning. All olja eller köttsaft som droppar från maten hamnar på kolen och förångas i rök som ger maten den läckra grillade smaken. Napoleons kolgrill ger värme som tillsluter köttet för saftigare, godare biffar, hamburgare och annat kött. Tillagningstider och tips finns i diagrammet nedan.

Följande grillnings diagram är tänkt att endast vara en riktlinje. Matlagnings tider påverkas av faktorer såsom höjd, utetemperatur, vind, och hur du vill ha din mat tillagad, vilket kommer att återspeglas i din matlagnings tid. Använd en stektermometer i köttet för att säkerställa att maten är färdig.

### Diagram för kolgrillning

Mat	Direkt/indirekt Värme	Tillagningstid	Andvändbara tips
Biff 2,5 cm tjock	Direkt värme	6-8 min.– Medium	När du väljer kött för grillning, fråga efter marmorerat kött. Fettet fungerar som ett naturligt mörningsmedel under matlagning och håller den fuktig och saftig.
Hamburgare Ca 1,5 cm tjock	Direkt värme	6-8 min.– Medium	Hur man vill ha sin hamburgare underlättas genom att variera tjockleken på dina biffar. För att lägga till en exotisk smak på ditt kött, testa hickory rökspån på grillkolen.
Kycklingdelar	Direkt värme i ca 2 min. på vardera sidan. Indirekt värme för återstående 18-20 min.	20-25 min.	Skär gärna upp tjockare partier och vik ut köttet. Detta hjälper till att laga maten snabbare och jämnare. För att lägga till en egen smak till din matlagning, prova att lägga till Mesquite rökspån på grillkolen.
Fläskkotlett	Direkt värme	10-15 min.	Ta bort onödigt fett innan grillning. Välj tjockare kotletter för saftigare och rikare smak.
Revben	Direkt värme i 5 min. Indirekt värme tills de är färdiga.	1,5 – 2 timmar, vänd ofta	Välj revben som är magra och köttiga. Grilla tills köttet lossnar lätt från benen.
Lammkotletter	Direkt värme	25-30 min.	Ta bort onödigt fett innan grillning. Välj extra tjocka kotletter för saftigare och rikare smak.
Varm korv	Direkt värme	4-6 min.	Välj helst tjockare wienerkorv. Snitta skinnet längs med innan grillning.

## Instruktioner för tillagning

**Första upptändning:** Grillen kan avge en svag lukt första gången den används. Detta är normalt då fett och färgresten som används i tillverkningsprocessen bränns av. Bränn ur grillen i ca 30 min på hög värme med locket av och alla ventiler fullt öppna så försvinner denna lukt.

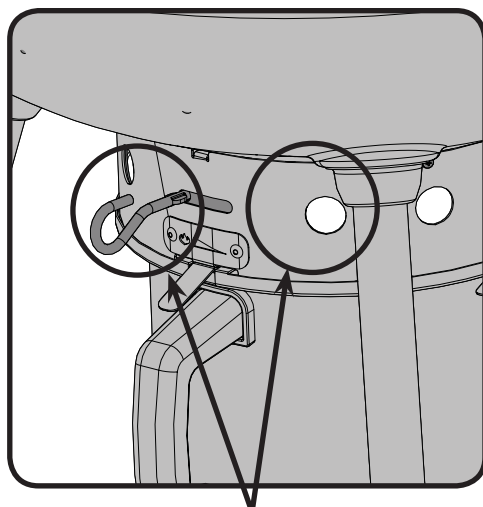
**Grill användning:** Vi rekommenderar att grillen förvärms genom att den eldas med locket stängt i ca 20 min. Kolen är färdiga när de har ett tunt lager grå aska. Mat som tillagas under kortare period (fisk, grönsaker) kan grillas med locket öppet. Matlagning med locket stängt garanterar högre, jämnare temperaturer som kommer att minska tillagningstid och laga maten jämnare. Vid tillagning av mycket magert kött, t.ex. kycklingbröst eller magert fläskkött, kan gallret oljas innan förvärmning för att minska risken att maten fastnar. Kött med ett högt fettinnehåll kan orsaka uppflammande lågor. Tag antingen bort onödigt fett eller minska temperaturen för att förhindra detta. Om en uppflammande låga inträffar, flytta bort maten från lågorna, minska värmen (skjut till ventilen). Lämna locket öppet. Som en allmän regel, planera att använda ca 50 briketter för att laga 1kg kött. Om tillagningen tar mer än 30 till 40 minuter, måste ytterligare briketter läggas till. När vädret är kallt eller blåsigt, kommer du att behöva mer briketter för att nå ideal matlagning temperatur.

**Påfyllning av kol under tillagningen:** Var försiktig när du fyller på kol i grillen. Lågor kan blossa upp när kolen kommer i kontakt med frisk luft. Stå på ett säkert avstånd och använd en långskaftad värmebeständig tång att lägga till ytterligare kol/briketter. Grillgallret har en uppvikbar sida på båda sidor så att du lätt kommer åt att fylla på mer grillkol/briketter.

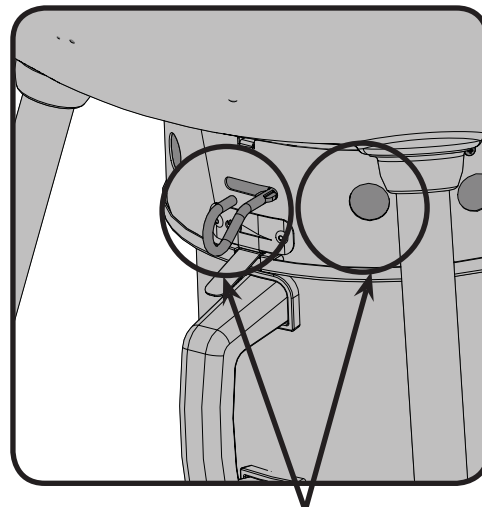


**WARNING!** Tillsätt aldrig mer tändvätska till het eller varm kolbädd. När kolen väl är tänd behövs ingen mer tändvätska.

**Hantering av ventiler:** Ventilen i locket på en täckt grill är normalt öppen för att släppa in luft till grillen. Luft höjer förbränningstemperaturen på kolen. Ni kan reglera grillens temperatur genom att skjuta den nedre ventilen vid askbehållaren i sidled till höger eller vänster. Stängs denna igen helt eller delvis kyla kolen ner. Stäng inte den nedre ventilen och ventilen i locket helt om du inte avser att kyla ner grillen eller släcka en uppflammande låga.



*Ventilen öppen*



*Ventilen stängd*

SE

## Säkerhet efter användning



**WARNING!** Skydda dig själv och din omgivning från skada genom att noggrant följa dessa säkerhetsföreskrifter.

- Sätt på locket och stäng alla ventiler för att släcka en brand.
- Låt alltid grillen svalna helt innan du hanterar den.
- Lämna aldrig kol och aska i grillen utan uppsikt. Se till kol och aska är helt släckt innan den tas bort.
- Använd en metallskopa eller asksug för att ta bort kvarvarande kol och aska från grillen. Lagg askan i en metallbehållare och täck med vatten. Låt det stå i ytterligare 24 timmar innan det hälls ut.

## Säkerhet efter användning

**WARNING!** Skydda dig själv och din omgivning från skada genom att noggrant följadessa säkerhetsföreskrifter.

- Sätt på locket och stäng alla ventiler för att släcka en brand.
- Låt alltid grillen svalna helt innan du hanterar den.
- Lämna aldrig kol och aska i grillen utan uppsikt. Se till kol och aska är helt släckt innan den tas bort.
- Använd en metallskopa eller asksug för att ta bort kvarvarande kol och aska från grillen. Lägg askan i en metallbehållare och täck med vatten. Låt det stå i ytterligare 24 timmar innan det hälls ut.

## Instruktioner för underhåll

Vi rekommenderar att ask- droppbehållaren töms efter varje användning.



**WARNING!** Se till att grillen är kall och allt kol slocknat innan du hanterar den.

**WARNING!** Använd alltid skyddshandskar och skyddsglasögon när du rengör grillen.

**WARNING!** Använd inte högtryckstvätt när du rengör grillen det kan skada den.

**WARNING!** För att undvika risk för brännskador bör underhåll ske endast när grillen är sval. Undvik oskyddad kontakt med heta ytor. Rengör grillen i ett område där rengöringsmedel inte kommer att skada altandäck, gräsmattor, eller uteplatser. Använd inte rengöringsmedel för ugn till att rengöra någon del av denna grill. Barbecuesås och salt kan vara frätande och orsakar snabb försämring av grillens komponenter om de inte rengörs regelbundet.

**Grillgaller och varmhållningsgaller:** Dessa detaljer rengörs bäst med en mässingsborste under det att grillen värms upp. Stålull kan användas för envisa fläckar.

**Rengöring av insidan på grillen:** Ta bort grillgallret. Använd en borste med mässingsborst att rensa löst skräp från bottendelen och insidan av locket. Skrapa insidan av skålen med en spatel eller skrapa och använd en stålborste för att ta bort aska. Sopa allt skräp från insidan av grillen ner i ask- droppbehållaren. Om du vill kan du tvätta insidan av grillen med ett mildt rengöringsmedel och vatten. Skölj väl med rent vatten och torka torrt.



**WARNING!** Fettavlagringar är en brandrisk. Rengör därför ask- droppbehållaren efter varje användning för att undvika att fett byggs upp.

**Ask- droppbehållaren:** Aska, fett och överflödiga dropp hamnar i ask- droppbehållaren, som finns under grillen. Ta loss den från grillen för att rengöra. Täck aldrig denna med aluminiumfolie, sand eller annat material, eftersom detta kan hindra fett från att rinna ordentligt. Pannan ska skrapas ut med en spatel eller skrapa, och allt skräp borstas ner i en icke brännbar metallbehållare. Tvätta ask- droppbehållaren med ett mildt rengöringsmedel och vatten. Skölj väl med rent vatten och torka torrt.

**Rengöring av yttre grilllyta:** Använd inte rengöringsmedel med slipmedel eller stålull på några målade, emaljerade eller rostfria delar av din Napoleon-grill. Detta kommer att repa ytan. Yttre grilllytor ska rengöras med varmt tvålsvatten medan metallen fortfarande känns varm. Använd rengöringsmedel för rostfritt stål eller utan slipmedel för rengöring av ytor i rostfritt stål. Torka alltid i fibrernas riktning. Med tiden missfärgas delar i rostfritt stål av uppvärmningen, vanligtvis till en gyllene eller brun nyans. Missfärgningen är normal och påverkar inte grillens prestanda. Emaljerade delar måste hanteras med extra försiktighet. Den emaljerade ytan är glasliknande och flisas lätt vid slag. Emalj för förbättring av ytan finns att köpa från din Napoleon-återförsäljare.



# Felsökning

Problem	Möjlig orsak	Lösning
Låg värme / Låga flammor	Dålig förvärmning  Otillräckligt med luft  För lite kol  Locket har öppnats för mycket	Tillåt kolen/briketterna att brinna tills de är täckta av tunn grå aska, (ca 20-25 min.)  Öppna ventilerna  Fyll på kol/briketter  Tillåt maten att tillagas med locket stängt. Varje gång som locket tas bort sjunker temperaturen i grillen. Detta leder till längre tillagningstid.
Ständigt uppflammande lågor/ojämn värme	Dålig förvärmning  Fett har byggts upp i askbehållaren	Förvärm grillen med locket stängt i 20-25 min. och sprid sen ut kolen jämnt.  Rengör askbehållaren regelbundet. Täck inte insidan av askbehållaren med aluminiumfolie. Se instruktioner för rengöring.
Det ser ut som om "färg" släpper från insidan av grillen	Fett har byggts upp på insidans yta.	Detta är ingen defekt. Ytan på grillen är av emalj och släpper inte. Detta beror på fett som härdat och sedan släpper i "flak". Regelbunden rengöring förhindrar detta. Se instruktioner för rengöring.

# Sammanfattning av grillning med kol

## Upptändning av grillen

- Innan du använder grillen första gången rekommenderar vi att du bränner av den i 30 min på hög värme med locket av och alla ventiler fullt öppna. Detta kommer att bränna bort ev fett och färgrester från tillverkningen.
- Öppna alla ventiler helt varje gång du tänder upp grillen.
- Rengör ask- droppbehållaren efter varje användning och sätt sedan tillbaka den.
- Grillen kan användas antingen med eller utan värmefördelningsplåten. Värmefördelningsplåten kommer att ge jämnare temperatur och fördelar värmen från mitten av grillen.
- Använd antingen Ultrachef grillkolståndare (ingår ej) och följ instruktionerna i denna manual eller placera upptändningskuddar eller lätt skrynklat tidningspapper på och runt värmefördelningsplåten. Placera grillkol i en konformad hög i mitten av enheten för "direkt tillagning" eller för "indirekt tillagning" i särskilda grillkolskorgar (tillval).
- När kolen är antända, stäng locket och låt kolen bränna tills den är täckt av en ljusgrå aska (ca 20 minuter), ordna kolen med hjälp av tång med värmetåligt handtag enligt den tillagningsmetod ni ska använda.
- Tändvätska kan användas för att antända grillkol, men det är inte den bästa metoden. Det kan vara kladdigt och kan lämna en kemisk smak på maten om vätskan inte helt bränns bort före tillagning. När väl kolen är tända får ni aldrig hälla på mer tändvätska. Förvara flaskan på säkert avstånd (min 7,5m) från grillen vid användning.
- Ytterligare röksmak kan uppnås genom att tillsätta träspån som finns i en mängd olika smaker hos din Napoleon återförsäljare.

## Matlagning med din grill

- Vi rekommenderar grillen förvärms med locket stängt i cirka 20 minuter. Kolen är färdiga när de har ett tunt lager grå aska.
- En tumregel är att det går åt ca 50 briketter för att laga till 1 kg kött. Om tillagningen varar mer än 30 - 40 min krävs mer kol. När vädret är kallt eller blåsigt, kommer ni att behöva mer briketter för att nå en idealisk temperatur.
- Var försiktig när ni fyller på kol på grillen. Lågor kan blossa upp när kol kommer i kontakt med luften. Ställ er på ett säkert avstånd och använd en långskaftad tång till att lägga till ytterligare grillkol/briketter.
- Ventilen på locket ska oftast vara öppen vid tillagning i en täckt grill. Luft ökar förbränningstemperaturen i kolen. Ni kan reglera grillens temperatur genom skjuta reglaget på den nedre ventilen åt höger eller vänster.
- Låt maten tillagas med locket stängt. Varje gång locket tas bort, sjunker temperaturen. Detta leder till lägre temperaturer och längre tillagningstider.
- Att stänga ventilerna antingen helt eller delvis kommer att hjälpa att kyla ner kolen. Stängs ventilerna helt släcks elden. Stäng inte ventilerna helt om ni inte vill kyla ner grillen eller släcka uppflammande lågor.
- Grillgallret kan oljas in innan förvärmning för att förhindra att maten fastnar.
- Använd en stektermometer för att kontrollera att maten är färdig.

## Rengöring

- Lägg på locket och stäng till alla ventiler för att släcka elden.
- Låt alltid grillen svalna helt innan ni hanterar den.
- Lämna aldrig kol och aska i grillen utan uppsikt. Se till kol och aska är helt släckt innan den tas bort.
- Använd en metall skopa eller en asksug för att ta bort kvarvarande kol och aska från grillen. Placera det i en icke brännbar metallbehållare och täck med vatten. Låt stå i minst ett dygn.
- Använd en borste med mässingsborst att rensa löst skräp från skålen och insidan av locket.
- Tvätta insidan av grillen med ett mildt rengöringsmedel och vatten. Skölj väl med rent vatten och torka torrt.
- Emaljerade detaljer måste hanteras med extra omsorg. Den pålagda emaljen är känslig (likt glas) för slag och stötar.

**BEHÅLL DITT KVITTO SOM ETT BEVIS AV INKÖPET FÖR ATT BEKRÄFTA DIN GARANTI.**

## Beställning av ersättningsdelar

### Garantiinformation

MODELL: \_\_\_\_\_

INKÖPSDATUM: \_\_\_\_\_

SERIENUMMER: \_\_\_\_\_

### ***(Registrera information här för enklare referens)***

Innan kundtjänstavdelningen kontaktas, kontrolleras NAC:s webbplats för mer utförliga instruktioner om rengöring, underhåll, felsökning och byte av delar på [www.napoleongrills.com](http://www.napoleongrills.com). Kontakta fabriken direkt för ersättningsdelar och garantianspråk. Vår kundtjänstavdelning finns tillgänglig kl. 9.00-17.00 (EST) på 1-866-820-8686 eller fax på 1-705-727-4282. För att behandla ett garantianspråk behöver vi följande information:

1. Enhetens modell och serienummer.
2. Artikelnummer samt beskrivning.
3. En kortfattad beskrivning av problemet ("trasig" räcker inte).
4. Inköpsbevis (kopia på fakturan).

I vissa fall kan vår kundtjänstpersonal begära att delarna returneras till fabriken för kontroll innan ersättningsdelar tillhandahålls. Delarna måste skickas med förbetald frakt till kundtjänstavdelningen med följande information bifogad:

1. Enhetens modell och serienummer.
2. En kortfattad beskrivning av problemet ("trasig" räcker inte).
3. Inköpsbevis (kopia på fakturan).
4. Returnnummer, erhållet av kundtjänstpersonalen.

Innan kundtjänst kontaktas, notera att följande problem inte ersätts av garantin:

- Kostnad för frakt, arvode eller exporttullar.
- Arbetskostnad för borttagande och ommontering.
- Kostnader för servicesamtal för att diagnostisera problem.
- Felfärgning av delar i rostfritt stål.

Felaktigheter orsakade av bristande rengöring och underhåll eller användning av olämpliga rengöringsmedel (ugnsrengöring).



**FAX TILL: 705 727 4282**

## ORDERFORMULÄR FÖR TILLBEHÖR OCH DELAR

SKRIV TYDLIGT

KONTAKT, NAMN: \_\_\_\_\_

SKICKAS TILL: \_\_\_\_\_

\_\_\_\_\_

\_\_\_\_\_

TEL : \_\_\_\_\_ FAX : \_\_\_\_\_

E-POST: \_\_\_\_\_

VISA ELLER MASTERCARD, KORTNUMMER: \_\_\_\_\_ UTGÅNGSDATUM: \_\_\_\_\_

UNDERSKRIFT: \_\_\_\_\_

MÄNGD	ARTIKELNUMMER	BESKRIVNING

SE

SKATTER KAN TILLKOMMA  
EXTRA FRAKT

OM BEKRÄFTELSE ERFORDRAS, ANGE FAXNUMMER ELLER E-POSTADRESS



**CAUTION!** During unpacking and assembly we recommended you wear work gloves and safety glasses for your protection. Although we make every effort to make the assembly process as problem free and safe as possible, it is characteristic of fabricated steel parts that the edges and corners might be sharp and could cause cuts if handled incorrectly.



### Getting Started

1. Remove all cart panels, hardware, and grill head from carton. Raise lid and remove any components packed inside. Use the parts list to ensure all necessary parts are included.
2. Do not destroy packaging until the grill has been fully assembled and operates to your satisfaction.
3. Assemble the grill where it is to be used, lay down cardboard or a towel to protect parts from being lost or damaged while assembling.
4. **Most stainless steel parts are supplied with a protective plastic coating that must be removed prior to using grill.**
5. Follow all instructions in the order that they are laid out in this manual.
6. Two people are required to lift the grill head onto the assembled cart.



If you have any questions about assembly or grill operation, or if there are damaged or missing parts please call our Customer Care Department at 1-866-820-8686 between 9 AM and 5 PM (Eastern Standard Time).



**ATTENTION!** Lors du déballage et de l'assemblage, nous vous conseillons de porter des gants de travail et des lunettes de sécurité pour votre protection. Malgré tous nos efforts pour assurer que l'assemblage soit aussi sécuritaire et sans problème que possible, il se peut que les bords et les coins des pièces usinées en acier soient coupants et qu'ils causent des coupures si les pièces ne sont pas manipulées correctement.



### Pour Commencer

1. Retirez tous les panneaux, le matériel et le gril du carton d'emballage. Soulevez le couvercle et enlevez les composants qui se trouvent à l'intérieur. Servez-vous de la liste de pièces pour vous assurer que toutes les pièces nécessaires sont incluses.
2. Ne détruisez pas l'emballage jusqu'à ce que le gril ait été complètement assemblé et qu'il fonctionne à votre satisfaction.
3. Assemblez le gril là où il sera utilisé et posez un carton ou une serviette afin d'éviter de perdre ou d'endommager les pièces lors de l'assemblage.
4. **La plupart des pièces en acier inoxydable possèdent un revêtement de plastique protecteur qui doit être enlevé avant d'utiliser le gril.**
5. Suivez toutes les instructions dans l'ordre donné dans ce manuel.



Deux personnes sont requises pour soulever la cuve de gril et la placer sur le chariot assemblé.

Si vous avez des questions à propos de l'assemblage ou du fonctionnement du gril, ou si des pièces sont manquantes ou endommagées, veuillez appeler notre département du Service aux Consommateurs au 1-866-820-8686 entre 9 h et 17 h (heure normale de l'Est).



**WAARSCHUWING!** Het is aanbevolen om tijdens het uitpakken en monteren voor uw veiligheid werkhandschoenen aan te trekken en een veiligheidsbril op te zetten. Hoewel we er alles aan doen om het montage proces zo goed en zo veilig mogelijk te maken, is het kenmerkend voor bewerkte stalen onderdelen dat de uiteinden en hoeken scherp kunnen zijn en verwondingen kunnen veroorzaken als ze tijdens de montage niet op de juiste manier worden behandeld.

### **Aan De Slag**

1. Haal alle onderdelen van het onderstel, de behuizing en de grill uit het karton. Til het deksel op en haal alle verpakte onderdelen uit de binnenkant. Gebruik de onderdelenlijst om ervoor te zorgen dat alle noodzakelijke onderdelen aanwezig zijn.
2. Vernietig het verpakkingsmateriaal niet totdat de grill volledig gemonteerd is en naar tevredenheid werkt.
3. Monteer de grill op de plaats waar die gebruikt gaat worden. Leg het karton of een handdoek op de grond om de onderdelen te beschermen tegen verlies of beschadiging tijdens montage.
4. **De meeste roestvrijstalen onderdelen worden geleverd in een beschermende plastic laag die verwijderd moet worden voordat de grill gebruikt wordt.**
5. Volg alle instructies in de volgorde zoals die is uitgelegd in deze handleiding.
6. Er zijn twee mensen voor nodig om de grillbak op het gemonteerde onderstel te tillen.



Als u vragen heeft over de montage of werking van de grill, of als er beschadigingen of ontbrekende onderdelen zijn, bel dan gerust onze klantenservice op 1-866-820-8686 tussen 9 AM en 5 PM Eastern Standard Time



**ACHTUNG!** Wir empfehlen beim Entpacken des Geräts und bei der Montage Arbeitshandschuhe und eine Schutzbrille zu tragen. Wir unternehmen alle Anstrengungen, den Montageprozess so problemlos und sicher wie möglich zu machen, doch bearbeitete Stahlteile haben üblicherweise scharfe Kanten und Ecken, die zu Schnittverletzungen führen können, wenn sie während der Montage unsachgemäß gehandhabt werden.

### **Erste Schritte**

1. Alle Paneele für den Wagen, Hardware und Grilleinsatz aus dem Karton entnehmen. Haube öffnen und alle darin verpackten Komponenten entnehmen. Anhand der Stückliste sicherstellen, dass alle nötigen Teile vorhanden sind.
2. Zerstören Sie die Verpackung nicht, bevor der Grill vollständig montiert ist und zu Ihrer Zufriedenheit funktioniert.
3. Den Grill an der Stelle montieren, wo er verwendet werden soll. Legen Sie Pappe oder ein Handtuch zurecht, um während der Montage keine Teile zu verlegen oder zu beschädigen.
4. **Die meisten Edelstahlteile sind ab Werk mit einem schützenden Plastikfilm versehen, der vor Montage des Grills abgezogen werden muss.**
5. Folgen Sie allen Anweisungen in diesem Handbuch in der angegebenen Reihenfolge.
6. Zwei Personen sind erforderlich, um den Grillaufsatz auf den montierten Wagen zu setzen.



Bei Fragen zur Montage oder zum Betrieb des Grills, oder bei beschädigten oder fehlenden Teilen, wenden Sie sich an unseren Kundendienst unter +1-866-820-8686 zwischen 9 Uhr und 15 Uhr Eastern Standard Time.



**PRECAUCIÓN!** Le recomendamos que, para su protección, durante el desempaquetado y el montaje del dispositivo lleve guantes de protección y gafas de seguridad. Aunque hacemos todo lo que está en nuestra mano para que el proceso de montaje no resulte problemático y sea lo más seguro posible, es característico de las piezas fabricadas de acero que sus extremos y esquinas estén afiladas, por lo que pueden producir cortes si no se manejan correctamente.

### Operaciones iniciales

1. Extraiga todos los paneles del carro, el hardware y la parte superior de la parrilla de la caja. Levante la tapa y extraiga del interior los componentes empaquetados. Consulte la lista de piezas para asegurarse de que se incluyen todos los elementos necesarios.
2. No rompa el embalaje hasta que la parrilla se haya montado completamente y funcione correctamente.
3. Sitúe la parrilla en el lugar en el que vaya a utilizarla, coloque un cartón o una toalla para evitar que las piezas se pierdan o resulten dañadas durante el montaje.
4. **La mayoría de las piezas de acero inoxidable se suministran con una envoltura de plástico de protección que deberá retirar antes de utilizar la parrilla.**
5. Siga todas las instrucciones en el orden que se indica en este manual.
6. Se requieren dos personas para situar la parrilla en el carro de montaje.



Si tiene alguna pregunta sobre el montaje o funcionamiento de la parrilla, o si alguna de las piezas falta o está dañada, llame al departamento de atención al cliente al número: 1-866-820-8686, entre las 9:00 y las 17:00 horas (hora estándar oriental).



**ОСТОРОЖНО!** Во время удаления упаковки и сборки рекомендуется носить защитные перчатки и защитные очки. Хотя во время производства для обеспечения быстрой и эффективной сборки гриля были приняты все меры для устранения острых граней, тем не менее, надлежит обращаться с деталями очень аккуратно во избежание травм.

### Начало работы

1. Уберите все упаковочные материалы. Поднимите крышку и извлеките все детали, находящиеся внутри. Проверьте по списку наличие всех деталей.
2. Не выбрасывайте упаковочный материал, пока гриль не был полностью собран и успешно введён в эксплуатацию.
3. Собирайте гриль на месте будущего использования, разложите детали на картонке или полотенце, чтобы не потерять их во время сборки.
4. **Большинство деталей из нержавеющей стали поставляются в полиэтиленовых пакетах, которые необходимо снять перед установкой.**
5. Следуйте всем указаниям в порядке, указанном в инструкции.
6. Для размещения верхней части гриля на собранной тележке понадобятся два человека.



Если у вас возникли какие-либо вопросы по сборке или эксплуатации гриля, или если некоторые детали отсутствуют или повреждены, пожалуйста, свяжитесь с отделом работы с клиентами по телефону 1-866-820-8686 с 9 до 17 (североамериканское восточное время).



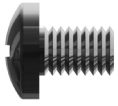
**VAR FÖRSIKTIG!** Under uppackning och montering rekommenderar vi att du använder arbetshandskar och säkerhetsglasögon som skydd. Även om vi anstränger oss för att göra monteringen så problemfri och säker som möjligt, kännetecknas den av färdiga ståldelar som kan ha skarpa kanter och hörn som kan orsaka skärskador om de inte hanteras på rätt sätt.

### **Komma igång**

1. Avlägsna alla paneler, hårdvara och grillhuvud från kartongen. Lyft på locket och ta bort eventuella delar som finns paketerade inuti. Använd detaljlistan för att säkerställa att alla nödvändiga delar medföljer.
2. Förstör inte förpackningen förrän gasolgrillen har monterats i sin helhet och fungerar till din belåtenhet.
3. Montera grillen där den ska användas. Lägg ner kartong eller en handduk för att förhindra att delar försvinner eller skadas under monteringen.
4. **De flesta delar i rostfritt stål levereras med ett skyddande plasthölje som måste avlägsnas innan grillen används.**
5. Följ alla instruktioner i den ordning som de visas i denna handbok.
6. Två personer krävs för att lyfta på grillhuvudet på den monterade grillvagnen.

**Om du har några frågor om grillens montering eller drift, eller om det fanns några skadade eller saknade delar, ring vår kundtjänstavdelning på 1-866-820-8686 kl. 9.00-17.00 (EST).**





3 X 570-0097 (M3)



Ensure slot in the base engages the clip in the air vent as illustrated.

Assurez-vous dans la base engage clip dans évent, comme illustré.

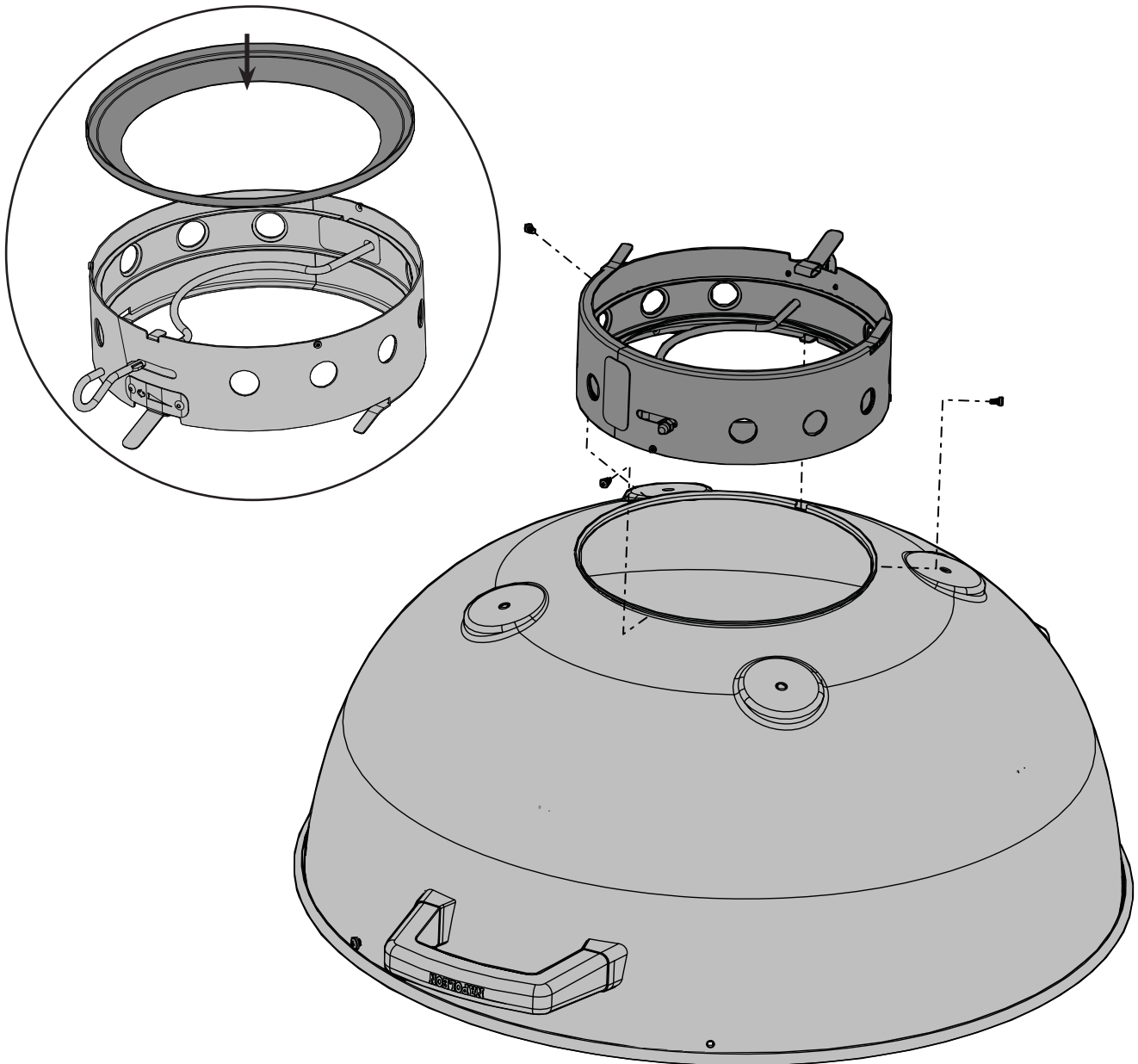
Maak zeker dat de clip in de luchtwind juist is gekoppeld met de basis zoals afgebeeld.

Sicherstellen, dass die wie abgebildet eingerastet ist.

Asegúrese de que la ranura en la base activa el clip en el conducto de ventilación, como lo indica la imagen.

Убедитесь, что разъем в опоре соприкасается с зажимом, расположенным в вентиляционном отверстии, как это показано на рисунке.

Se till att urtagen i grillens botten passar i clipsen på ventildelen enligt bild





4 X 570-0087 (1/4-20 X 7/8")



4 x W735-0011



4 x N655-0129P



3/8" (10mm)



For ease of installation start all screws before tightening completely. Completely tighten screws after bottom shelf and wheels have been attached.

Pour faciliter l'installation, commencez à visser chaque vis avant de les serrer complètement. Complètement tighten screws after bottom shelf and wheels have been attached.

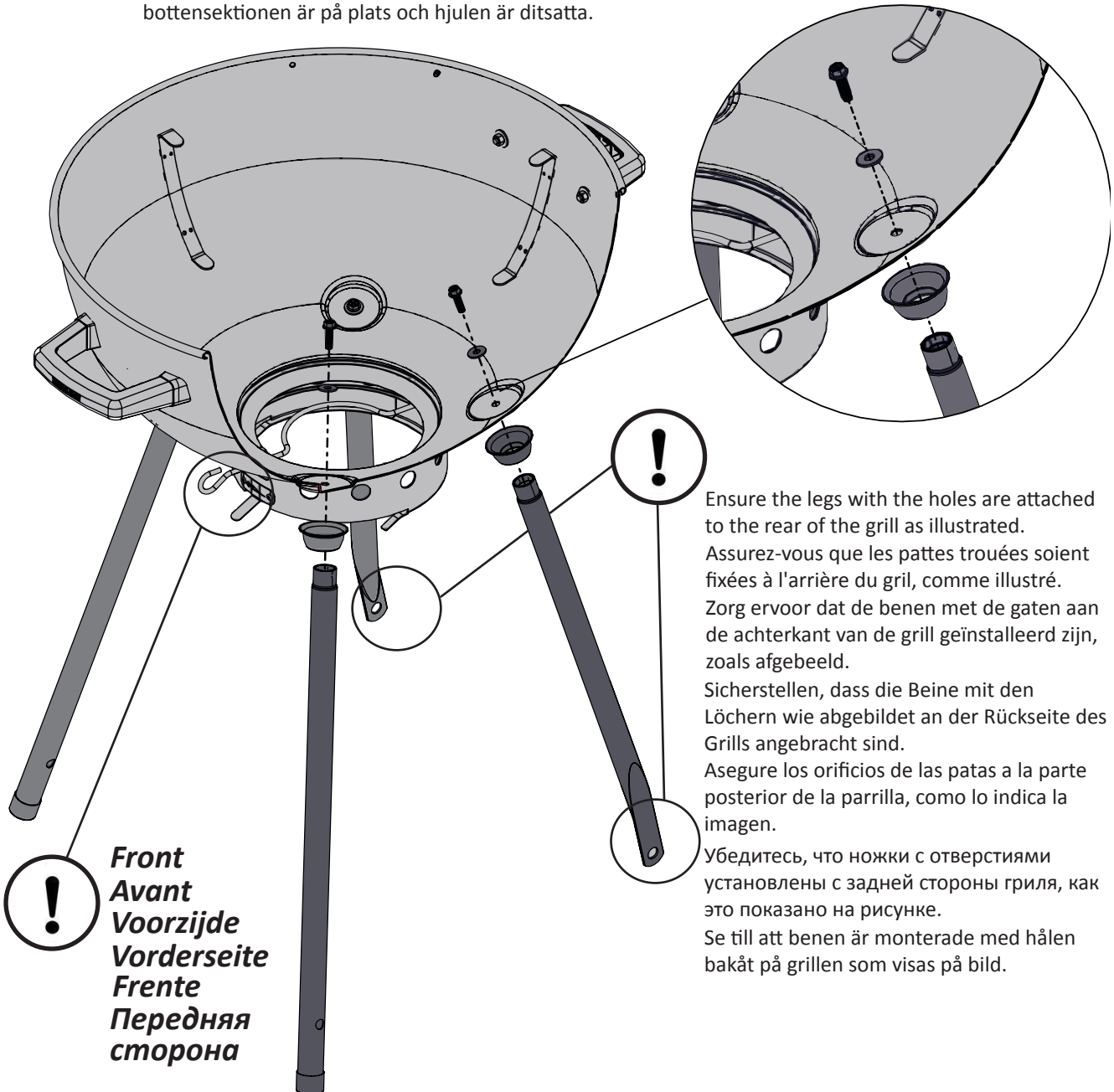
Voor installatiegemak start alle schroeven voor deze volledig in te schroeven. Schroef helemaal vast nadat de onderste plank en de wielen zijn bevestigd.

Alle Schrauben zunächst nur lose anziehen und erst dann fest anziehen, wenn alle Teile richtig installiert sind. Nach Montage des unteren Regalbodens und der Räder alle Schrauben fest anziehen.

Para facilitar la instalación, primero coloque todos los tornillos y luego ajústelos. Ajuste completamente los tornillos luego de colocar el estante inferior y las ruedas.

Для простоты установки сначала вверните все винты перед окончательной затяжкой. Окончательно затяните винты после того, как нижняя полка и колёса были установлены.

För att underlätta installation, sätt dit alla skruvar innan du drar åt dom. Dra åt skruvarna när bottensektionen är på plats och hjulen är ditsatta.



Ensure the legs with the holes are attached to the rear of the grill as illustrated.

Assurez-vous que les pattes trouées soient fixées à l'arrière du grill, comme illustré.

Zorg ervoor dat de benen met de gaten aan de achterkant van de grill geïnstalleerd zijn, zoals afgebeeld.

Sicherstellen, dass die Beine mit den Löchern wie abgebildet an der Rückseite des Grills angebracht sind.

Asegure los orificios de las patas a la parte posterior de la parrilla, como lo indica la imagen.

Убедитесь, что ножки с отверстиями установлены с задней стороны гриля, как это показано на рисунке.

Se till att benen är monterade med hålen bakåt på grillen som visas på bild.

**Front**  
**Avant**  
**Voorzijde**  
**Vorderseite**  
**Frente**  
**Передняя**  
**сторона**



1/2" (13mm)



Insert the bottom shelf into the holes in the legs ensuring the crossbars on either end of the shelf are to the bottom as illustrated.

Insérez la tablette inférieure dans les trous des pattes en s'assurant que les barres transversales à chaque extrémité de la tablette soient orientées vers le bas, comme illustré.

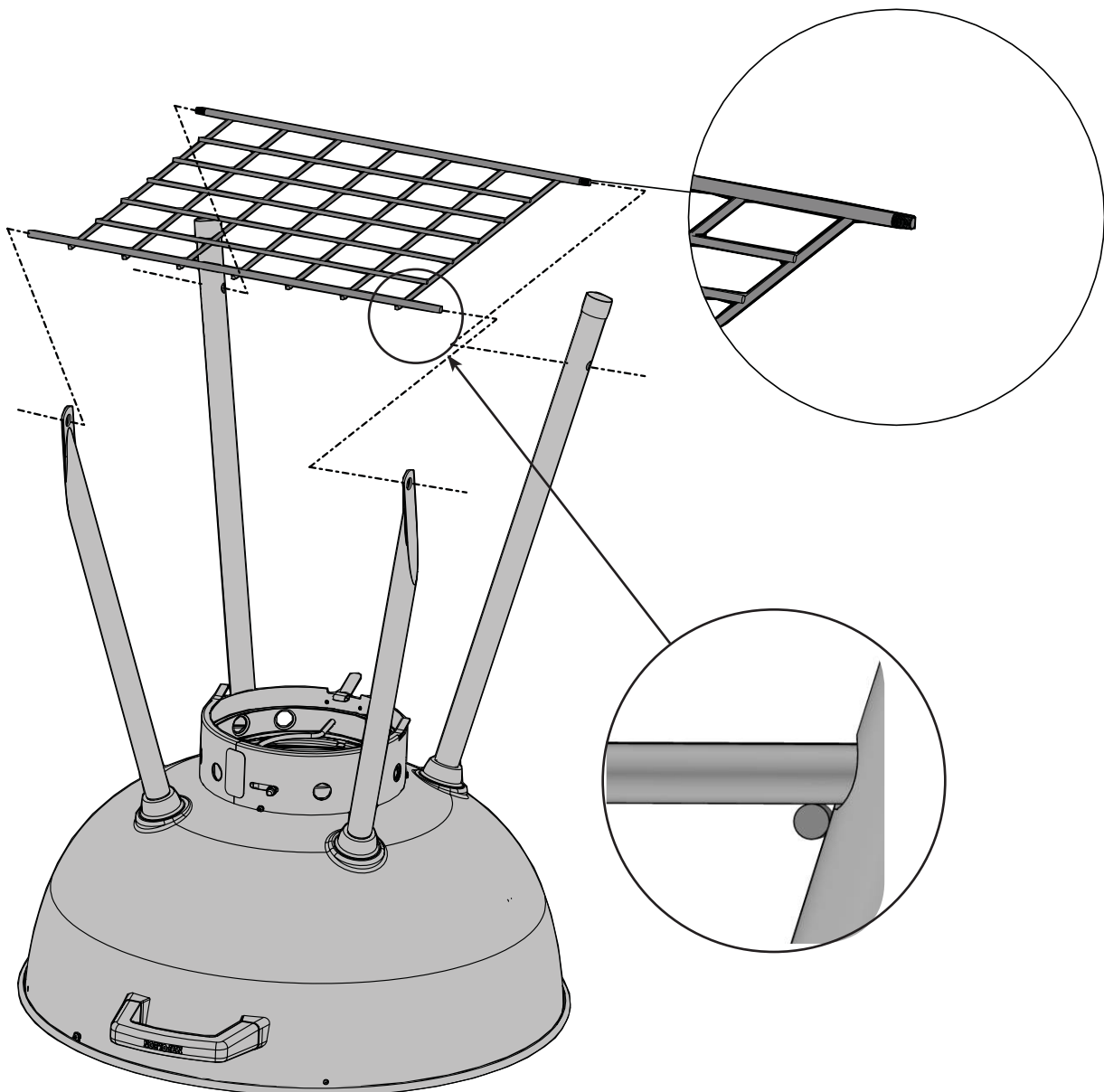
Steek de onderste plank in de gaten in de benen en maak zeker dat de dwarsbanken aan weerszijden van de plank aan de onderkant zijn, zoals afgebeeld.

Den untersten Regalboden wie abgebildet in die Löcher an den Beinen einführen. Dabei sicherstellen, dass die Kreuzverstärkungen an den beiden Seiten des Regals wie abgebildet nach unten zeigen.

Coloque el estante inferior en los orificios de las patas y asegure las barras transversales de ambos extremos del estante a la parte inferior, como lo indica la imagen.

Поместите нижнюю полку в отверстия, расположенные в ножках, убедитесь, что перекладины с обеих сторон полки находятся внизу, как это показано на рисунке.

Sätt dit trådhyllan i hålen i benen enligt bild, se till att tapparna bottnar i hålen.





If necessary the axle cap can be tapped with a rubber mallet.

Si nécessaire, le essieu peut être enfoncé avec un maillet en caoutchouc.

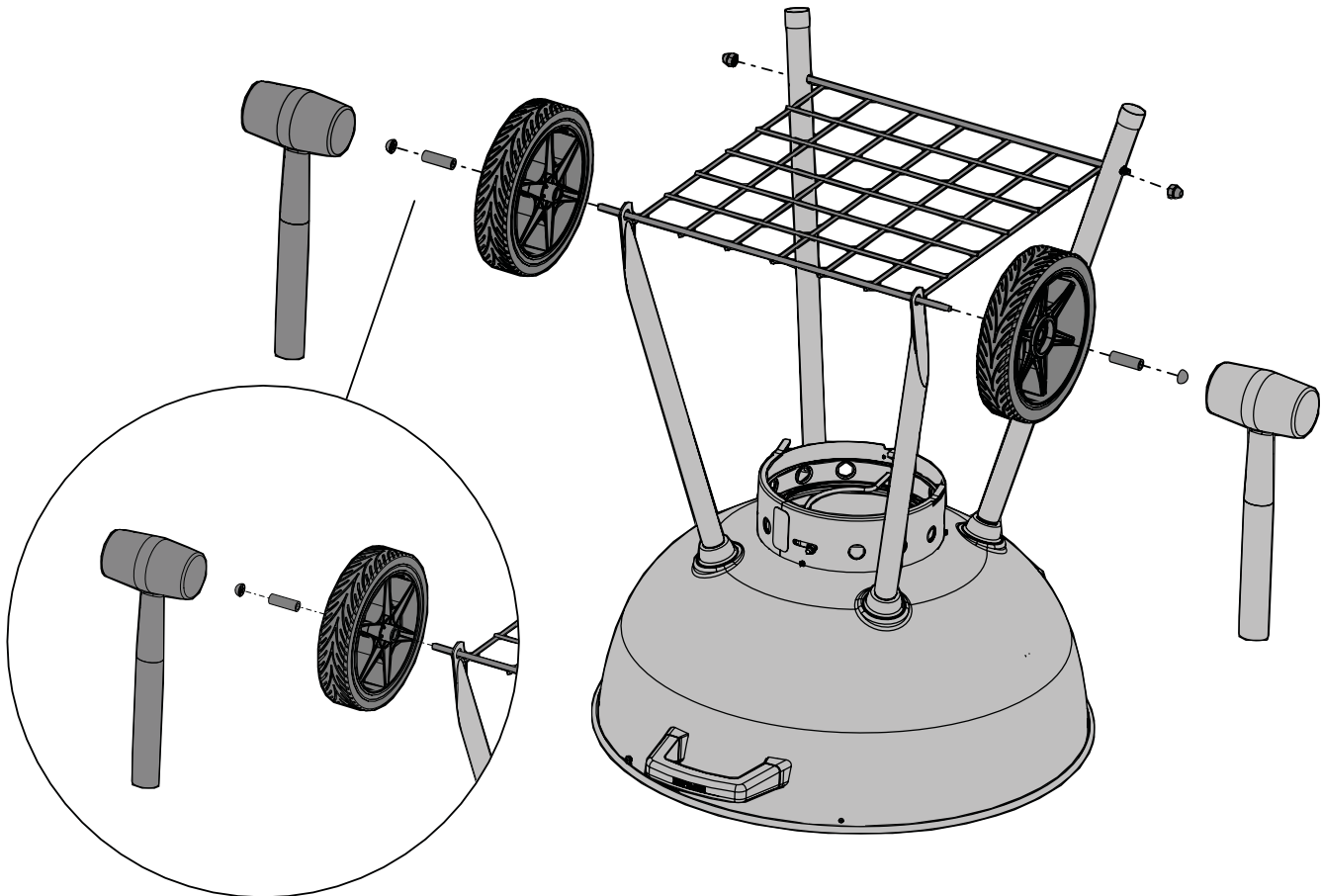
Het asmoer kan indien nodig met een rubberen hamer worden ingeslagen.

Falls erforderlich, kann die Achsemutter mit einem gummihammer nach unten geklopft werden.

Si es necesario, el casquillo del eje se puede golpear con un mazo de caucho.

При необходимости ось крышки могут быть использованы с резиновым молотком.

Vid behov kan en gummiklubba användas försiktigt.

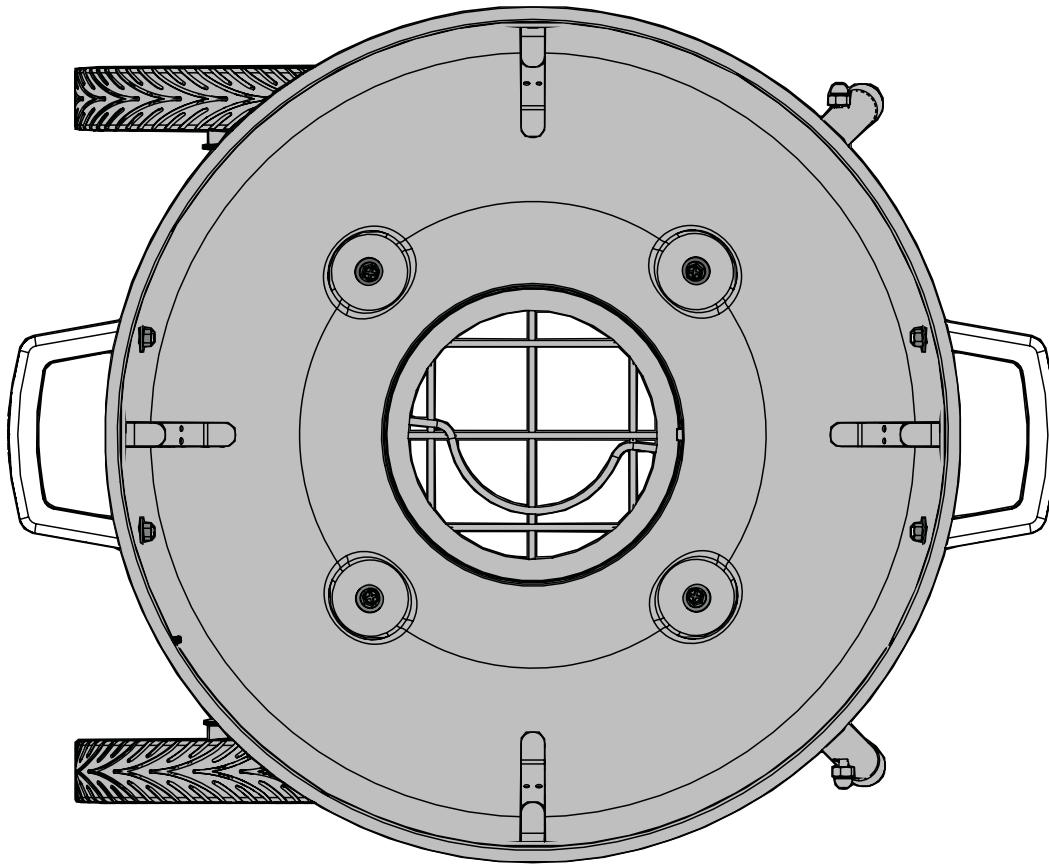




3/8" (10mm)



Completely tighten screws, securing legs to base.  
 Serrez complètement les vis pour fixer les pattes à la base.  
 Schroef helemaal vast, bevestig de poten aan de basis.  
 Alle Schrauben fest anziehen, um die Beine sicher am Grill zu befestigen.  
 Ajuste completamente los tornillos para asegurar las patas a la base.  
 Окончательно затяните винты, закрепляя ножки на опоре.  
 Dra åt skruvarna för infästningen av benen mot grillbotten.



**WARNING!** Do not over tighten leg screws.

**ATTENTION!** Ne pas trop serrer les vis jambe.

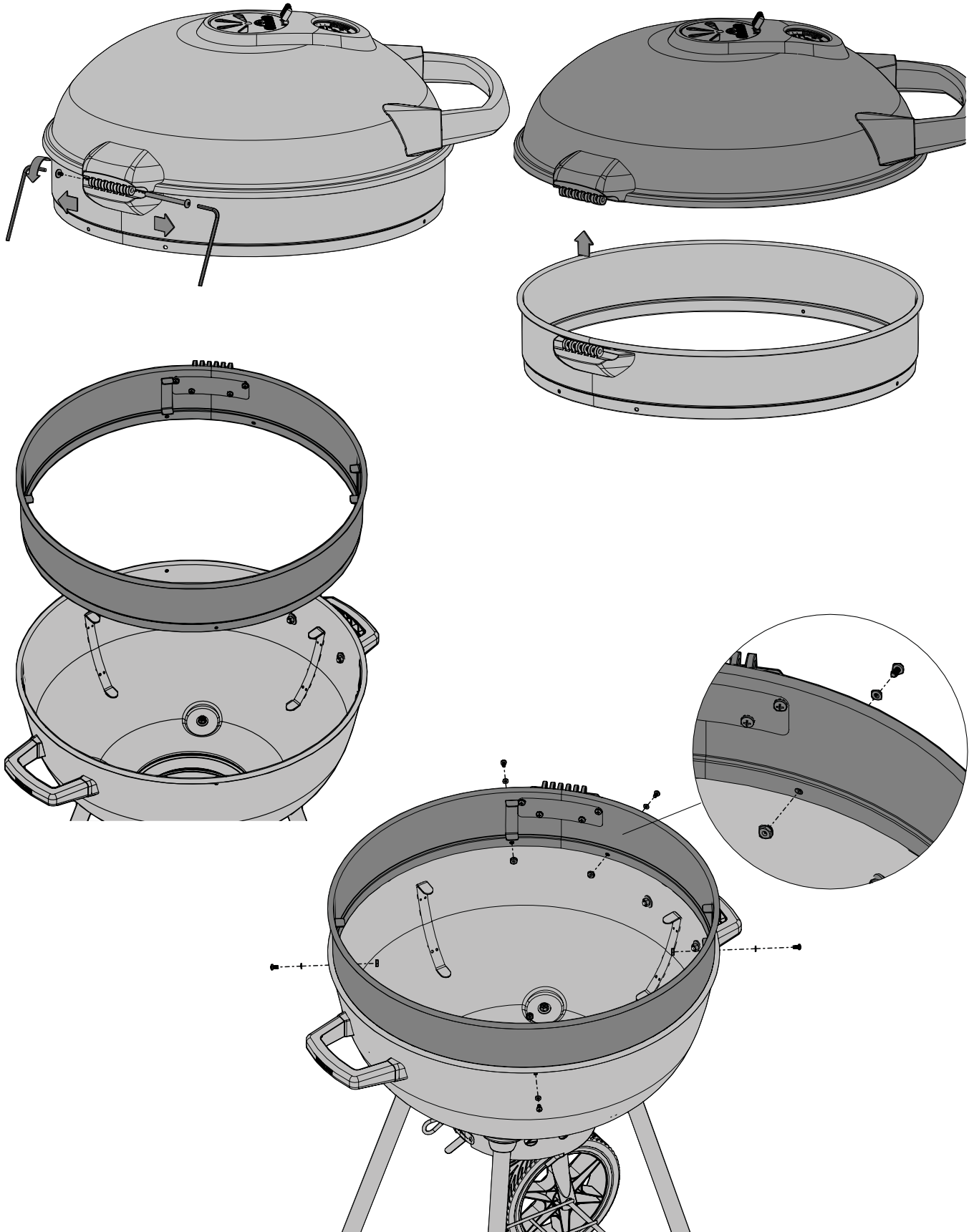
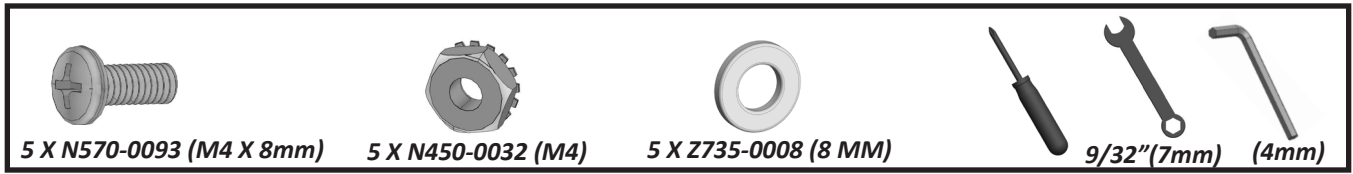
**WAARSCHUWING!** Niet te vast schroeven been.

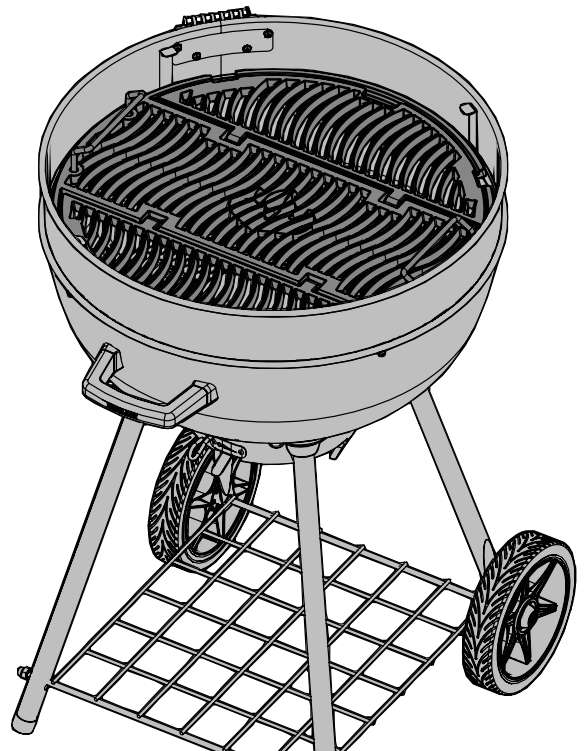
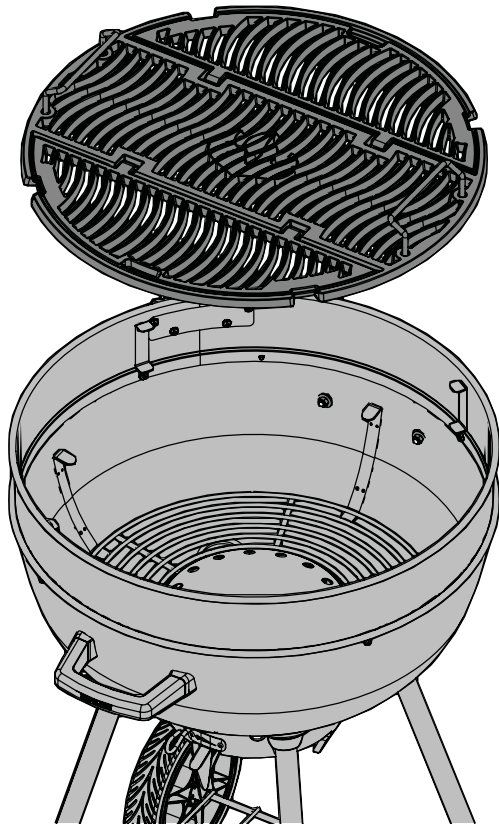
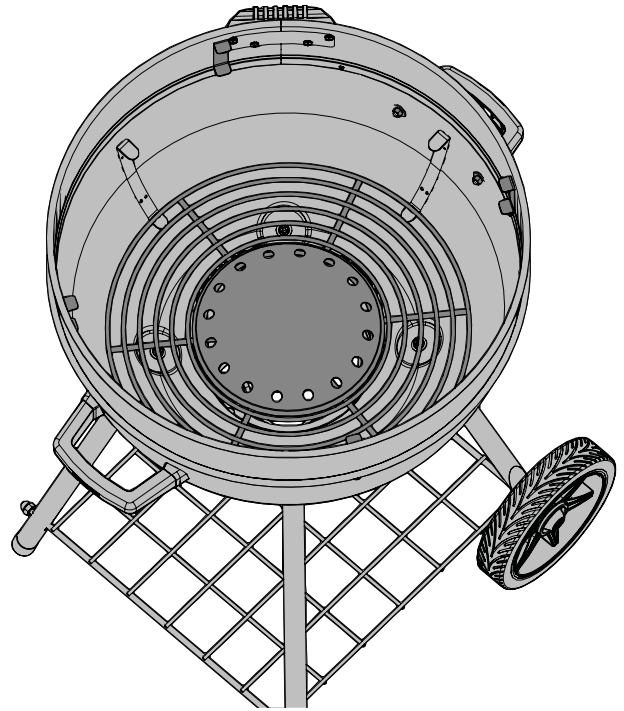
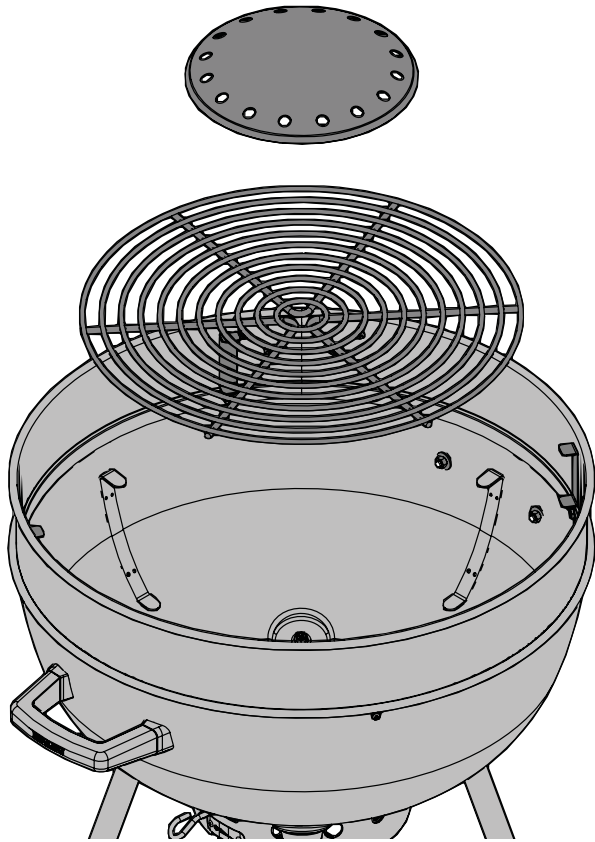
**WARNUNG!** Nicht zu fest anziehen Bein befestigen.

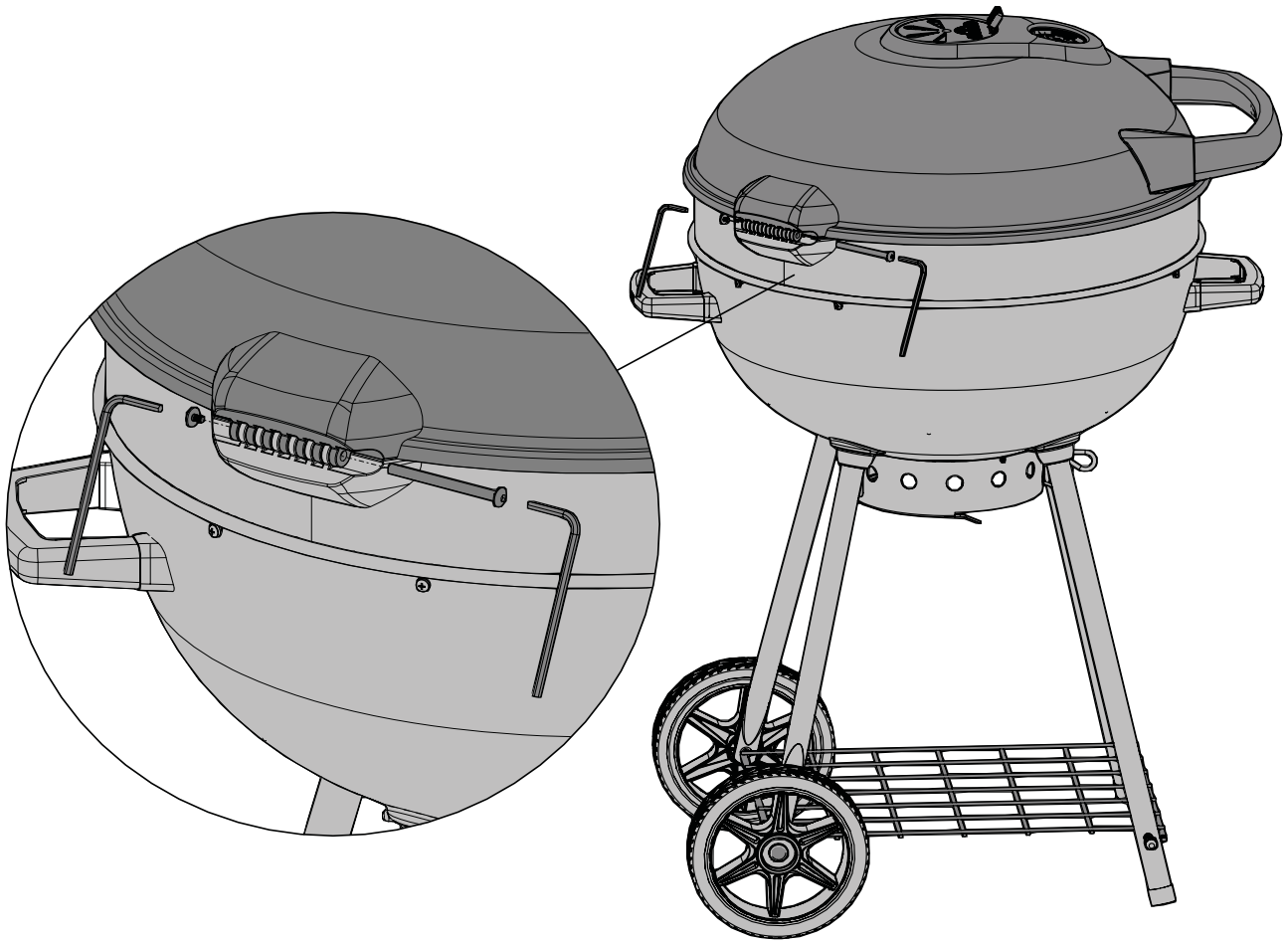
**ADVERTENCIA!** No apriete demasiado los tornillos de la pierna.

**ВНИМАНИЕ!** Не перетягивайте винты ножек.

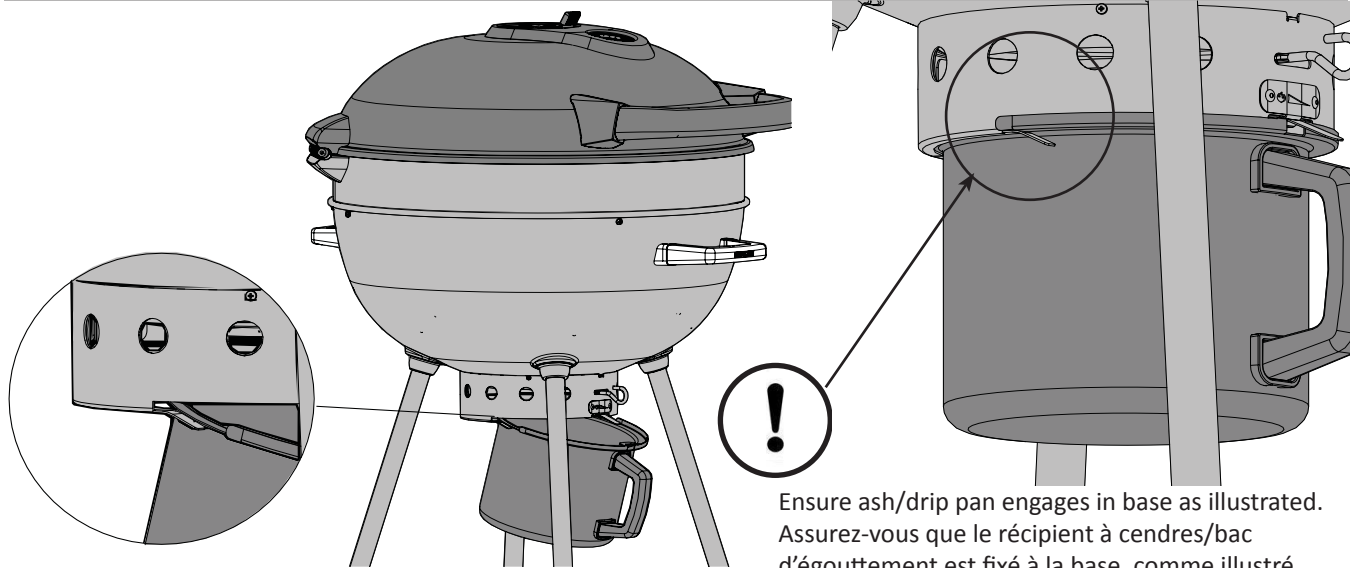
**VARNING!** Dra inte åt skruvarna till benen för hårt.











Ensure ash/drip pan engages in base as illustrated.  
Assurez-vous que le récipient à cendres/bac d'égouttement est fixé à la base, comme illustré.  
Maak zeker dat de as/lekbak juist is gekoppeld met de basis zoals afgebeeld.

Sicherstellen, dass Aschenbehälter/Auffangschale wie abgebildet eingerastet ist.

Asegúrese de que la bandeja para cenizas/de goteo encaje en la base, como lo indica la imagen.

Убедитесь, что поддон / зольник установлен на опоре надлежащим образом.

Se till att ask- dropbehållaren passas in korrekt i botten på grillen enligt bild.

Ensure slot in drip pan engages clip in base as illustrated.

Assurez-vous que l'attache sur le récipient à cendres/bac d'égouttement est bien engagée dans la base, comme illustré.

Maak zeker dat de clip in de lekbak juist is gekoppeld met de basis zoals afgebeeld.

Sicherstellen, dass die einsteckbare Fett-Auffangschale wie abgebildet eingerastet ist.

Asegúrese de que el broche de la bandeja de goteo encaje en la base, como lo indica la imagen.

Убедитесь, что поддон установлен на опоре так, как это показано на рисунке.

Clipet på behållaren ska passa in i urtaget på infästningen, se bild.



## Parts List / Liste Des Pièces

Item	Part #	Description	
1	N010-0769-BK2GL	base / base	x
2	N325-0069	handle base / de couvercle - base	x
3	N655-0134	support base handle left / support gauche de la poignée de la base	x
4	N655-0135	support base handle right / support droit de la poignée de la base	x
5	W735-0011	flat washer / rondelle plate	x
6	N450-0030	nut M6 / écrou M6	x
7	N010-0735	air support outer / appui aérien extérieure	x
8	N325-0070	handle / poignée	x
9	N010-0734	air support inner / appui aérien intérieur	x
10	N215-0010	ash deflector / déflecteur de cendres	x
11	N570-0097	M3 screw / vis M3	x
12	N655-0129P	support leg / support de patte	x
13	N075-0089	leg front / patte avant	x
14	N570-0087	1/4-20 x 7/8" screw / vis 1/4-20 x 7/8"	x
15	N120-0015	cap leg / embout pour patte	x
16	N450-0035	acorn nut M8 / écrou borgne M8	x
17	N710-0075-BK1HG	drip pan - ash collector / récipient à cendres - bac d'égouttement	x
18	N655-0132	support ash pan handle / support pour poignée du récipient à cendres	x
19	N325-0071	ash pan handle / poignée du récipient à cendres	x
20	N735-0003	washer, lock 1/4" / rondelle de blocage 1/4"	x
21	N570-0082	1/4-20 x 5/8" screw / vis 1/4-20 x 5/8"	x
22	N305-0077	charcoal grate / grille à charbon de bois	x
23	N500-0043	reflector plate / déflecteur d'air	x
24	N105-0016	bushing wheel / roue bague	x
25	N450-0043	axle cap / essieu	x
26	N010-0692	middle ring assembly base / anneau de base assemblée	x
27	N655-0155	stiffener plate hinge / plaque de charnière	x
28	N335-0057K	lid / couvercle	x
29	N685-0011	temperature gauge / jauge de température	x
30	W450-0005	logo spring clips / pinces à ressort du logo	x
31	N655-0141	support lid handle left / support de la poignée du couvercle gauche	x
32	N655-0142	support lid handle right / support de la poignée du couvercle droit	x
33	N325-0073	lid handle / poignée de couvercle	x
34	N655-0143	stiffener plate hinge / plaque de charnière	x
35	N080-0271	hinge upper / charnière supérieure	x
36	N735-0010	lockwasher / rondelle à ressort	x
37	N570-0042	screw 10-24 x 3/8" / vis 10-24 x 3/8"	x
38	Z570-0029	screw 10-24 x 35 mm / vis 10-24 x 35 mm	x
39	N080-0270	hinge lower / charnière inférieure	x
40	N305-0080-BK2FL	cooking grid main / grille de cuisson principe	x
41	N305-0081-BK2FL	cooking grid side / grille de cuisson lateral	x
42	N325-0076	handle cooking grid / grille de cuisson poignée	x
43	Z570-0032	M4 screw / vis M4	x
44	N570-0098	screw, hinge / vis charnière	x
45	Z735-0008	washer / rondelle	x
46	N570-0093	screw M4 x 8mm / vis M4 x 8mm	x
47	N450-0032	nut M4 / M4 écrou	x
48	n075-0087	leg wheel / patte arrière avec roue	x
49	N745-0007	wheel / roue	x
50	N590-0234-BK1SG	wire bottom shelf / tablette grillagée inférieure	x
51	N590-0207	basket charcoal / panier à briquettes	ac
52	55100	tool hook bracket / crochet à ustensiles	ac
	63910	vinyl cover / housse en vinyle	ac

x - standard  
ac - accessory

x - compris  
ac - accessoires

## Lijst met onderdelen / Stückliste

Onderdeel / Position	Onderdeel # / Teilnr.	Beschrijving / Beschreibung	
1	N010-0769-BK2GL	basis / Grundrahmen	x
2	N325-0069	handgreep basis / Griff für Grundrahmen	x
3	N655-0134	steun linker handvat / Stabilisierungselement, Grillaufsatzgriff, links	x
4	N655-0135	steun rechter handvat / Stabilisierungselement, Grillaufsatzgriff, rechts	x
5	W735-0011	sluitring / Unterlegscheibe	x
6	N450-0030	moer M6 / M6-Hutmutter	x
7	N010-0735	luchtsteun buitenste / Unterstützung aus der Luft äußeren	x
8	N325-0070	handgreep / Griff	x
9	N010-0734	luchtsteun innerlijke / Unterstützung aus der Luft inneren	x
10	N215-0010	ash deflector / Asche Abweiser	x
11	N570-0097	M3 schroef / Schraube M3	x
12	N655-0129P	steunpoot / Stabilisierungselement, Bein	x
13	N075-0089	poot voorkant / Bein, Grillvorderseite	x
14	N570-0087	1/4-20 x 7/8" schroef / 1/4-20 x 7/8" Schraube	x
15	N120-0015	dop poot / Abdeckkappe, Bein	x
16	N450-0035	dopmoer M8 / M8-Hutmutter	x
17	N710-0075-BK1HG	lekbak - asopvangbak / uffangschale / Aschebehälter	x
18	N655-0132	steun handgreep aslade / Stabilisierungsgriff für Aschebehälter	x
19	N325-0071	handgreep aslade / Griff für Aschebehälter	x
20	N735-0003	ring, slot 1/4" / Federring, 1/4"	x
21	N570-0082	1/4-20 x 5/8" schroef / 1/4-20 x 5/8" Schraube	x
22	N305-0077	houtschoolrooster / Holzkohlenrost	x
23	N500-0043	reflectorplaat / Hitzereflektor	x
24	N105-0016	bus wiel / Busche Rad	x
25	N450-0043	asmoer / Achsemutter	x
26	N010-0692	ring montage / Ringanordnung	x
27	N655-0155	scharnier plaat / Scharnierplatte	x
28	N335-0057K	deksel / Haube	x
29	N685-0011	temperatuurmeter / Thermometer	x
30	W450-0005	logo veerklemmen / Logo-Federclips	x
31	N655-0141	steun handvat van de deksel links / Stabilisierungselement, Haubengriff link	x
32	N655-0142	steun handvat van de deksel rechts / Stabilisierungselement, Haubengriff recht	x
33	N325-0073	deksel handgreep / Griff für Grillhaube	x
34	N655-0143	scharnier plaat / Scharnierplatte	x
35	N080-0271	bovenste scharnier / obere Scharnier	x
36	N735-0010	sluitring / Unterlegscheibe	x
37	N570-0042	10-24 x 3/8" schroef / 10-24 x 3/8" Schraube	x
38	Z570-0029	10-24 x 35mm schroef / 10-24 x 35mm Schraube	x
39	N080-0270	scharnier lagere / untere Scharnier	x
40	N305-0080-BK2FL	grillrooster hoof / Grillrost Haupt	x
41	N305-0081-BK2FL	grillrooster zijde / Grillrost Seite	x
42	N325-0076	handgreep grillrooster / Griff Grillrost	x
43	Z570-0032	M4 x 10mm schroef / M4 x 10mm Schraube	x
44	N570-0098	schroef, scharnier / Schraube Scharnier	x
45	Z735-0008	sluitring / Unterlegscheibe	x
46	N570-0093	M4 x 8mm schroef / M4 x 8mm Schraube	x
47	N450-0032	moer M4 / M4-Mutter	x
48	n075-0087	wiel poot / Bein mit Laufrolle	x
49	N745-0007	wiel / Rad	x
50	N590-0234-BK1SG	draad onderste plank / Unterer Drahtregalboden	x
51	N590-0207	mand houtskool / Holzkohlenwanne	ac
52	55100	haakbeugel voor gereedschap / Halterung für Besteckhalter	ac
	63910	vinyl afdekking / Abdeckhaube, Vinyl	ac

x - standard      ac -accessorie/Zubehör

## Lista de piezas

Unidad	Pieza n°.	Descripción	
1	N010-0769-BK2GL	base	x
2	N325-0069	manija de la tapa y base	x
3	N655-0134	manija izquierda de soporte de base	x
4	N655-0135	manija derecha de soporte de base	x
5	W735-0011	arandela	x
6	N450-0030	tuerca M6	x
7	N010-0735	aire exterior de apoyo	x
8	N325-0070	manija	x
9	N010-0734	aire interior de apoyo	x
10	N215-0010	cenizas deflector	x
11	N570-0097	tornillo de M3	x
12	N655-0129P	pata soporte	x
13	N075-0089	pata delantera	x
14	N570-0087	tornillo de 1/4-20 x 7/8"	x
15	N120-0015	pata de tapa	x
16	N450-0035	tuerca ciega M8	x
17	N710-0075-BK1HG	bandeja para cenizas y de goteo	x
18	N655-0132	manija soporte de la bandeja para cenizas	x
19	N325-0071	manija de la bandeja para cenizas	x
20	N735-0003	arandela de presión de 1/4"	x
21	N570-0082	tornillo de 1/4-20 x 5/8"	x
22	N305-0077	rejilla para carbón	x
23	N500-0043	placa reflectora	x
24	N105-0016	rueda cojinete	x
25	N450-0043	casquillo del eje	x
26	N010-0692	anillo de montaje	x
27	N655-0155	placa bisagra	x
28	N335-0057K	tapa	x
29	N685-0011	indicador de temperatura	x
30	W450-0005	presilla del logotipo	x
31	N655-0141	manija de soporte de la tapa izquierda	x
32	N655-0142	manija de soporte de la tapa derecho	x
33	N325-0073	manija de la tapa	x
34	N655-0143	placa bisagra	x
35	N080-0271	bisagra superior	x
36	N735-0010	arandela	x
37	N570-0042	tornillo de 10-24 x 3/8"	x
38	Z570-0029	tornillo de 10-24 x 35mm	x
39	N080-0270	bisagra inferior	x
40	N305-0080-BK2FL	rejilla de cocción principal	x
41	N305-0081-BK2FL	rejilla de cocción lado	x
42	N325-0076	manija de la rejilla de cocción	x
43	Z570-0032	tornillo de M4	x
44	N570-0098	tornillo bisagra	x
45	Z735-0008	arandela	x
46	N570-0093	tornillo de M4 x 8mm	x
47	N450-0032	tuerca M4	x
48	n075-0087	rueda de la pata	x
49	N745-0007	rueda	x
50	N590-0234-BK1SG	estante inferior de alambre	x
51	N590-0207	canasto para carbón	ac
52	55100	gancho soporte de herramientas	ac
	63910	cubierta de vinilo	ac

x - estándar      ac - accesorio

## Список деталей

		Наименование	
1	N010-0769-BK2GL	опора	x
2	N325-0069	крышка - опора ручки	x
3	N655-0134	левая ручка опоры	x
4	N655-0135	правая ручка опоры	x
5	W735-0011	плоская шайба	x
6	N450-0030	гайка М6	x
7	N010-0735	внешняя опора вентиляции	x
8	N325-0070	ручка	x
9	N010-0734	внутренняя опора вентиляции	x
10	N215-0010	отражатель золы	x
11	N570-0097	винт М3	x
12	N655-0129P	опора ножки	x
13	N075-0089	передняя ножка	x
14	N570-0087	винт 1/4-20 x 7/8"	x
15	N120-0015	наконечник ножки	x
16	N450-0035	колпачковая гайка М8	x
17	N710-0075-BK1HG	поддон - зольник	x
18	N655-0132	опора ручки зольника	x
19	N325-0071	ручка зольника	x
20	N735-0003	стопорная шайба 1/4"	x
21	N570-0082	винт 1/4-20 x 5/8"	x
22	N305-0077	решётка для древесных углей	x
23	N500-0043	отражатель	x
24	N105-0016	оправка втулки колесо	x
25	N450-0043	крышка оси	x
26	N010-0692	середина опоры	x
27	N655-0155	усилитель петли	x
28	N335-0057K	крышка	x
29	N685-0011	указатель температуры	x
30	W450-0005	пружинная защёлка с логотипом	x
31	N655-0141	левая ручка опоры	x
32	N655-0142	правая ручка опоры	x
33	N325-0073	ручка крышки	x
34	N655-0143	усилитель петли	x
35	N080-0271	верхняя петля	x
36	N735-0010	стопорная шайба	x
37	N570-0042	винт 10-24 x 3/8"	x
38	Z570-0029	винт с цилиндрической головкой 10-24 x 35 мм	x
39	N080-0270	нижняя петля	x
40	N305-0080-BK2FL	основная решётка для приготовления пищи	x
41	N305-0081-BK2FL	боковая решётка для приготовления пищи	x
42	N325-0076	ручка решётки для приготовления пищи	x
43	Z570-0032	винт М4 x 10 мм	x
44	N570-0098	винт петли	x
45	Z735-0008	шайба	x
46	N570-0093	винт М4 x 8 мм	x
47	N450-0032	гайка М4	x
48	n075-0087	колесо ножки	x
49	N745-0007	колесо - шт.	x
50	N590-0234-BK1SG	нижняя полка	x
51	N590-0207	корзинка для углей	ас
52	55100	крепление для крюков для инструментов	ас
	63910	виниловая крышка	ас

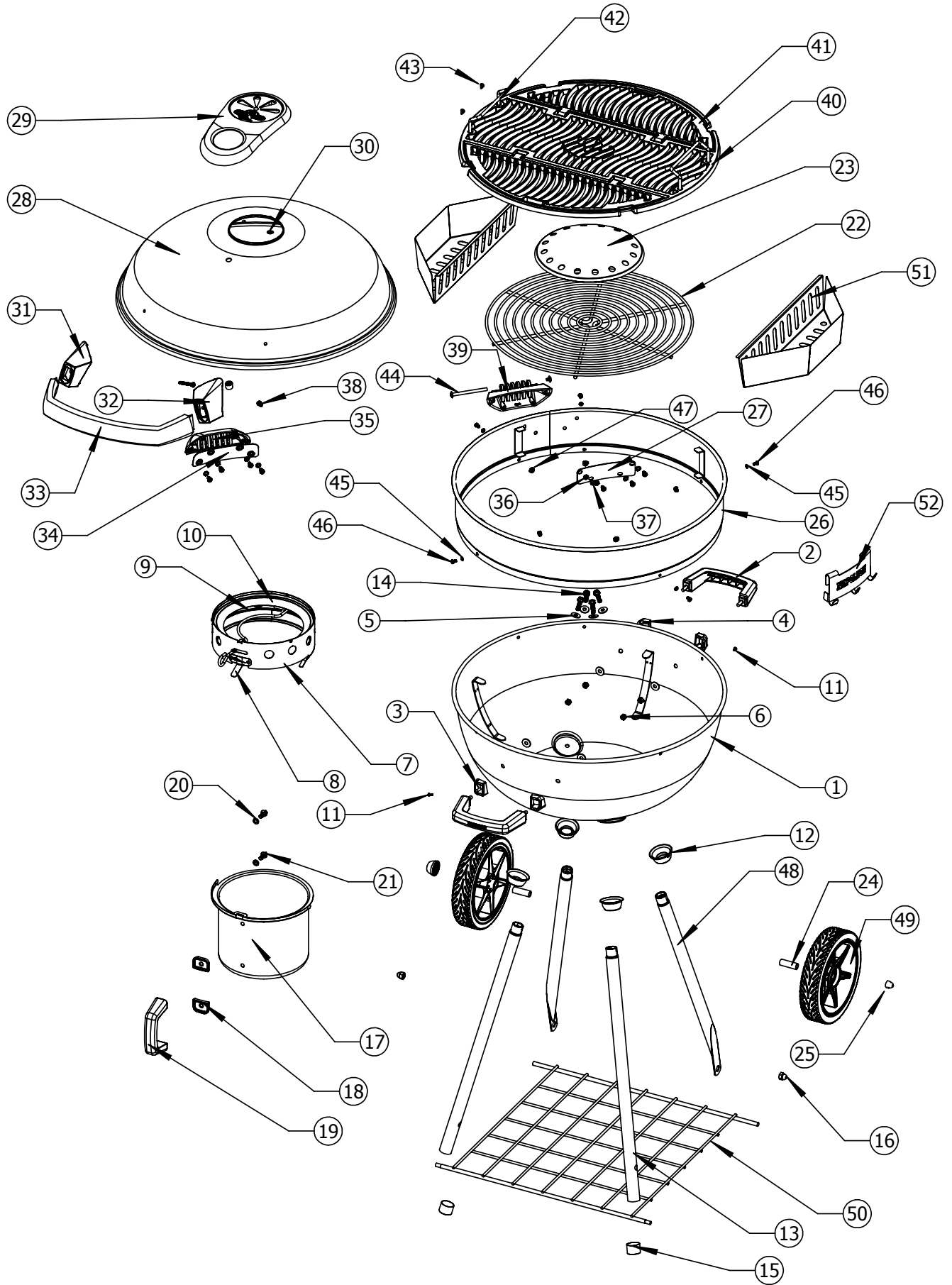
x - стандарт

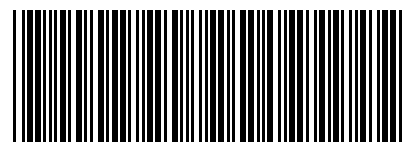
ас - принадлежность

**Reservdelar**

Nr	Del	Beskrivning	
1	N010-0769-BK2GL	bottendel	x
2	N325-0069	handtag bottendel	x
3	N655-0134	stöd handtag bottendel vänster	x
4	N655-0135	stöd handtag bottendel höger	x
5	W735-0011	Plan bricka	x
6	N450-0030	mutter M6	x
7	N010-0735	yttre ventil ring	x
8	N325-0070	handtag	x
9	N010-0734	inre ventil ring	x
10	N215-0010	ventil komplett	x
11	N570-0097	skruv M3	x
12	N655-0129P	stödring till ben	x
13	N075-0089	främre ben	x
14	N570-0087	skruv 1/4-20 x 7/8"	x
15	N120-0015	hätta till ben	x
16	N450-0035	kronmutter M8	x
17	N710-0075-BK1HG	askbehållare	x
18	N655-0132	bussning handtag askbehållare	x
19	N325-0071	handtag askbehållare	x
20	N735-0003	låsmutter 1/4"	x
21	N570-0082	skruv 1/4-20 x 5/8"	x
22	N305-0077	kolgaller	x
23	N500-0043	värmefördelningsplåt	x
24	N105-0016	bussning till hjul	x
25	N450-0043	axel skydd	x
26	N010-0692	mellanring till bottendel	x
27	N655-0155	förstyvningsplåt gångjärn	x
28	N335-0057K	lock	x
29	N685-0011	termometer	x
30	W450-0005	fjäderclips för logotype	x
31	N655-0141	vänster bussning lockhandtag	x
32	N655-0142	höger bussning lockhandtag	x
33	N325-0073	lockhandtag	x
34	N655-0143	förstyvningsplåt gångjärn	x
35	N080-0271	övre gångjärn	x
36	N735-0010	låsbricka	x
37	N570-0042	skruv 10-24 x 3/8"	x
38	Z570-0029	skruv 10-24 x 35 mm	x
39	N080-0270	nedre gångjärn	x
40	N305-0080-BK2FL	grillgaller mittendel	x
41	N305-0081-BK2FL	grillgaller sidostycke	x
42	N325-0076	handtag till grillgaller	x
43	Z570-0032	skruv M4	x
44	N570-0098	skruv gångjärn	x
45	Z735-0008	bricka	x
46	N570-0093	skruv M4 x 8mm	x
47	N450-0032	mutter M4	x
48	n075-0087	ben till hjul	x
49	N745-0007	hjul	x
50	N590-0234-BK1SG	nedre trådhylla	x
51	N590-0207	koltråg	ac
52	55100	redskapskrok	ac
	63910	grillöverdrag	ac

x - standard      ac - tillbehör





N415-0281